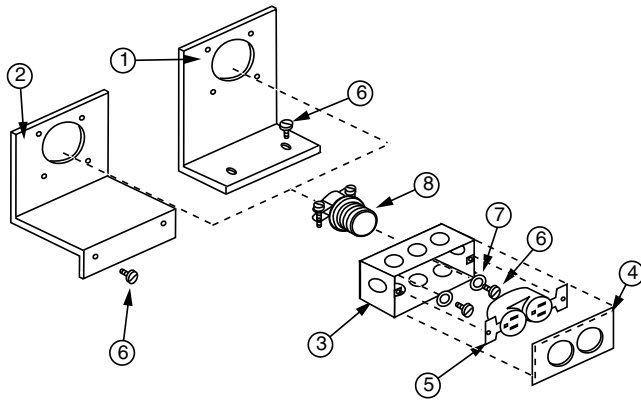


DUPLEX AC OUTLET ASSEMBLY

Modified:09/19/2013



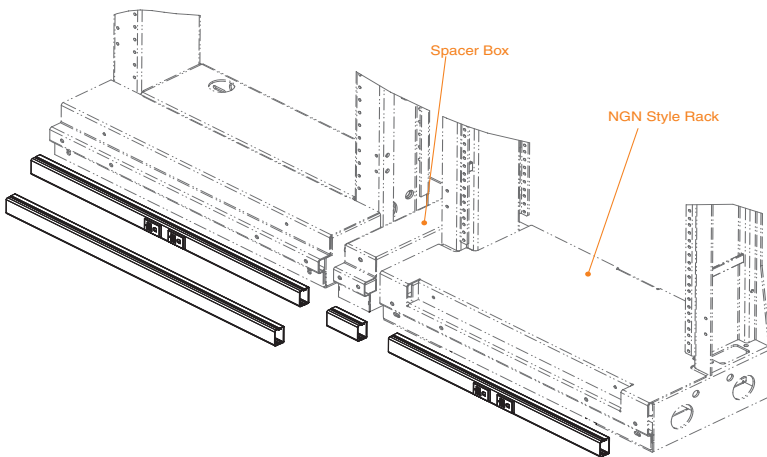
Note:
XX= finish code.

Part Number	
Ordering	00411200xx

Item	Qty	Description
1	1	front bracket
2	1	rear bracket
3	1	outlet box
4	1	outlet box cover
5	1	duplex receptacle
6	4	8-32 x 1/4" rhms
7	2	#8 flat washer
8	1	1/2" BX connector

NETBAY AC OUTLET STRIP / BLANK STRIP

Sales Sheet Modified:06/20/2022



Ordering Table

Part Number	Length	Used on	Description
00435400xx	25-7/8"	Netbay	Duplex 15 Amp Ac Outlet
00435401xx	25-7/8"	Netbay	Blank Strip
00435402xx	2-1/2"	Spacer Box	Blank Strip
21674100xx	4"	Spacer Box	Blank Strip
00435403xx	5"	Spacer Box	Blank Strip
00435405xx	25-7/8"	Netbay	Duplex 15 Amp Ac Outlet w/ GW Kit
00435406xx	21-1/4"	NGN	Duplex 15 Amp Ac Outlet
00435407xx	17-1/4"	NGN	Duplex 15 Amp Ac Outlet
00435409xx	6"	Spacer Box	Blank Strip
21538200xx	21-7/8"	Netbay	Duplex 15 Amp Ac Outlet
21538201xx	21-7/8"	Netbay	Blank Strip

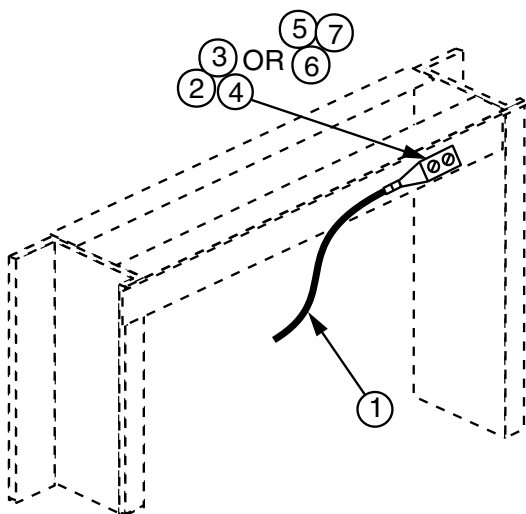
C12

Notes:

- 125 VAC grounded outlet. Duplex outlet shown for reference only.

Modified:09/30/2009

GROUND STRAP

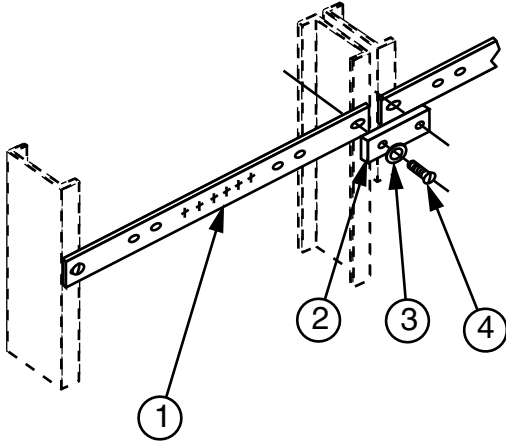


part number		description	insulation
Ordering Table	0043420100	24" # 6 stranded copper	none
	0043420200	24" # 6 stranded copper	gray
	0043420300	24" # 6 stranded copper	green
	0043420400	72" # 6 stranded copper	gray

Item	Qty	Description
1	1	ground strap
2	2	1/4"-20 x 1/2" rhms
3	2	1/4" lock washer
4	2	1/4" internal star washer
5	2	12-24 x 1/2" tri-lobe screw
6	2	#12 internal star washer
7	2	#12 lock washer

RACK GROUND BAR - 3" CHANNEL RACK

Modified:10/14/2009



	Item	Qty	Description
Stock List	1	1	ground bar
	2	1	splice *
	3	2	no. 12 flat washer
	4	2	12-24 x 3/4" rhms
	5	8	6-32 x 1/4" rhms*
	6	8	ground bar lug

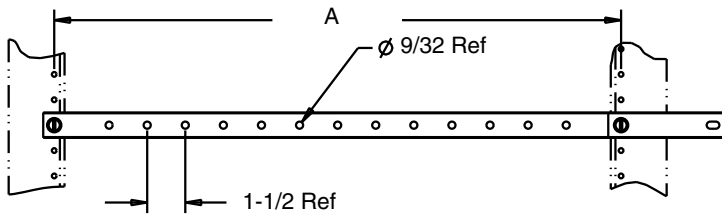
	part number	Rack
Ordering Table	0040280013	19
	0040290013	23

Notes:

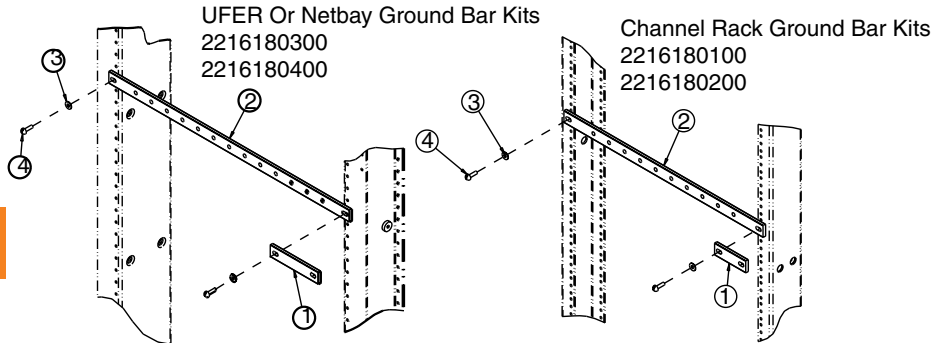
- * Indicates copper part.

GROUND BAR KIT

Modified:09/25/2009



	part number	A
Ordering Table	2216180100	19"
	2216180200	23"
	2216180300	19"
	2216180400	23"

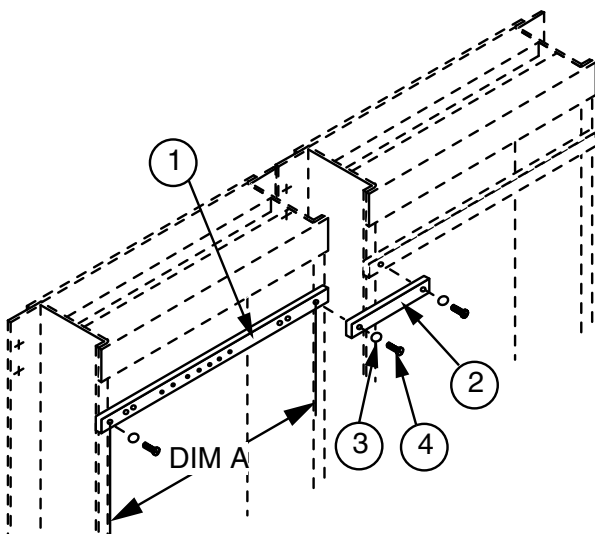


	Item	Qty	Description
Stock List	1	1	ground splice
	2	1	ground bar 1/4" x 1"
	3	2	#12 flatwasher, brass
	4	2	12-24 x 3/4" rhms

C12

UFER / NETWORK BAY GROUND BAR

Modified:06/20/2022

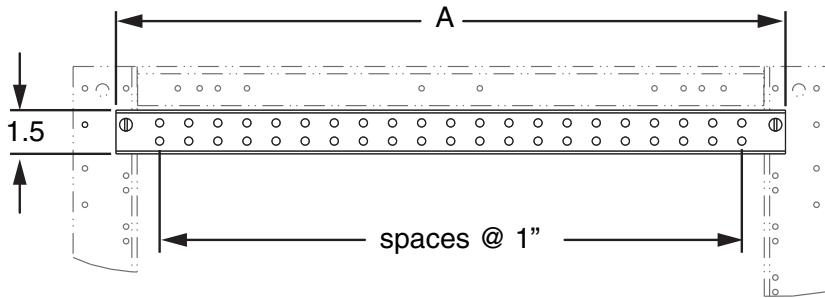
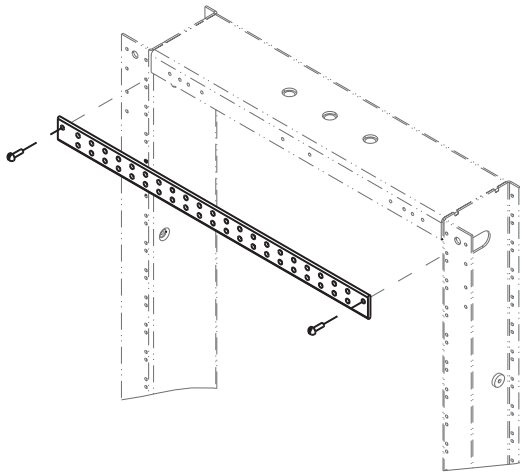


	part number	A
Ordering Table	0043400013	18-5/16"
	0043410013	22-5/16"

	Item	Qty	Description
Stock List	1	1	ground bar
	2	1	splice
	3	3	#12 flat washer
	4	3	12-224 x 3/4" rhms
	5	8	6-32 x 3/4" rhms
	6	8	lug

1 RU GROUND BAR KIT

Sales Sheet Modified: 10/19/2016

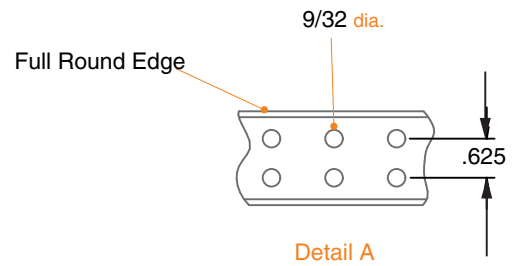


Ordering Table

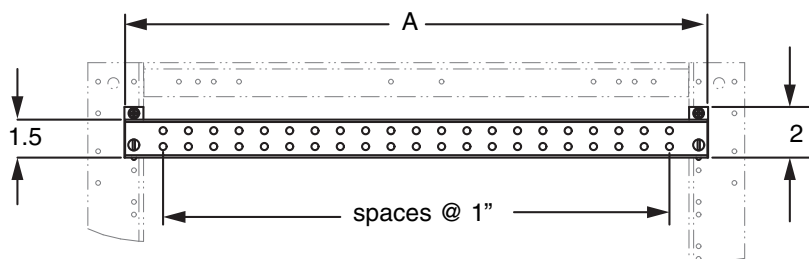
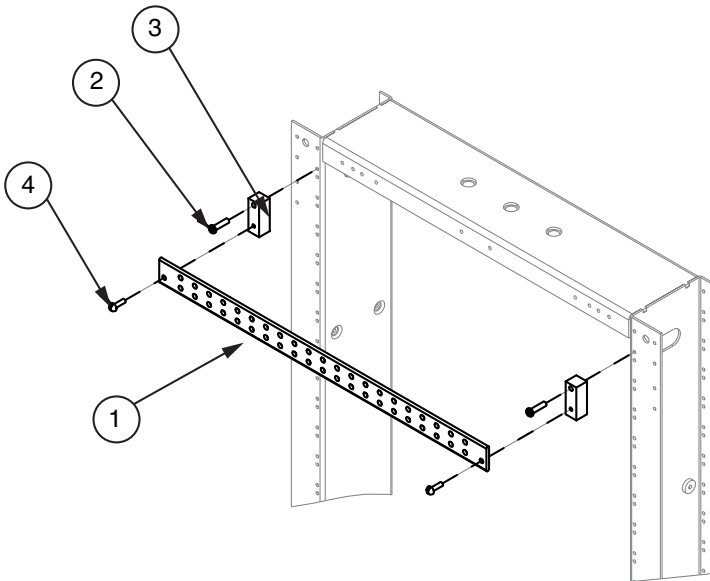
Part Number	Rack	spaces @ 1"
2243275013	23"	20
2243275113	19"	16

Stock List

Item	QTY	Description
1	1	Ground Bar 3/16" x 1-1/2"
2	2	12-24 x 3/4 RHMS



1 RU GROUND BAR KIT WITH INSULATORS

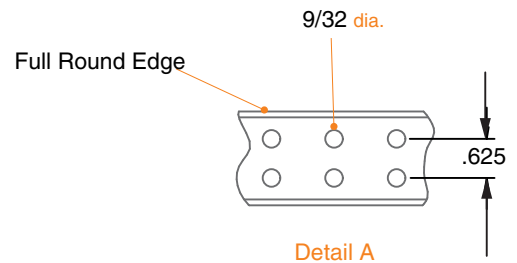


Ordering Table

Part Number	Rack	spaces @ 1"
2243270013	23"	20
2243270113	19"	16

Stock List

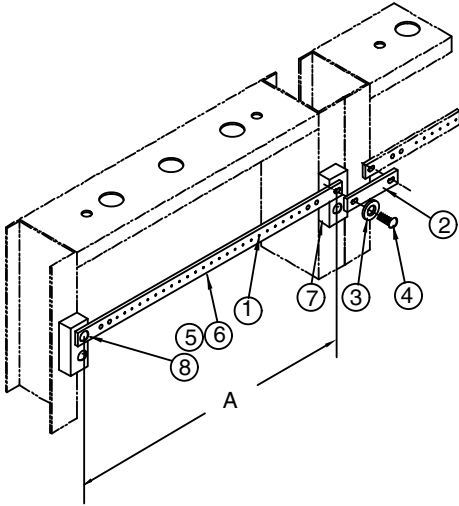
Item	QTY	Description
1	1	Ground Bar 3/16" x 1-1/2"
2	2	12-24 x 1" PHMS
3	2	Ground Bar Insulator
4	2	12-24 x 3/4 RHMS



C12

UFER / NETWORK BAY GROUND BAR KIT, INSULATED, 23"

Modified:06/21/2010



Notes:

- Items 1 and 2 are copper; items 3, 4 and 5 are copper plated.

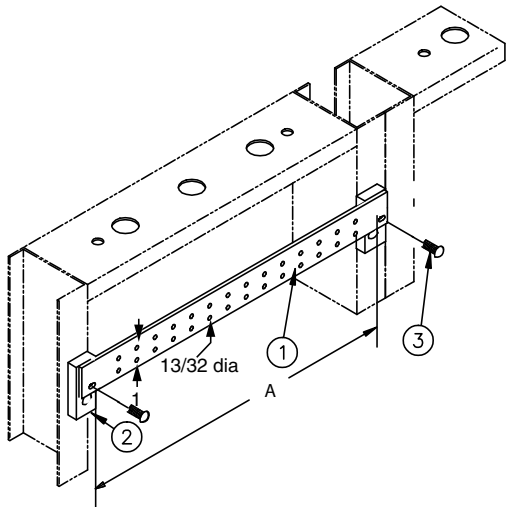
	Part Number	A
Ordering	2110480113	18-5/16"
	2110480213	22-5/16"

	Item	Qty	Description
2110480113 Stock List	1	1	ground bar
	2	1	splice
	3	2	#12 flat washer
	4	2	12-24 x 3/4" rhms
	5	17	6-32 x 1/4" rhms
	6	17	lug
	7	2	insulator
	8	2	12-24 x 1" phms

	Item	Qty	Description
2110480213 Stock List	1	1	ground bar
	2	1	splice
	3	2	#12 flat washer
	4	2	12-24 x 3/4" rhms
	5	24	6-32 x 1/4" rhms
	6	24	lug
	7	2	insulator
	8	2	12-24 x 1" phms

GROUND BAR WITH INSULATORS

Modified:04/25/2011

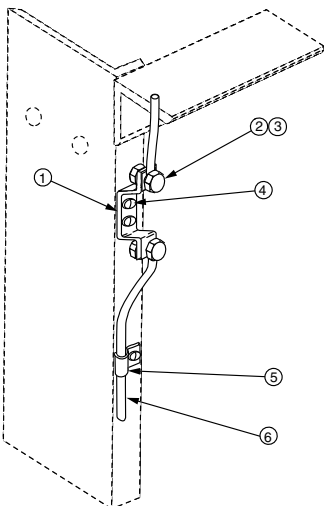


	Part Number	Rack	A	Hole Qty
Ordering	21736300xx	23"	22-5/16"	30
	21736302xx	19"	18-5/16"	24

	Item	Qty	Description
Stock List	1	1	groundbar
	2	2	insulator
	3	2	12-24 x 3/4 rhms
	4	2	12-24 x 1 phms

EQUIPMENT RACK GROUND ASSEMBLY

Modified:09/25/2009

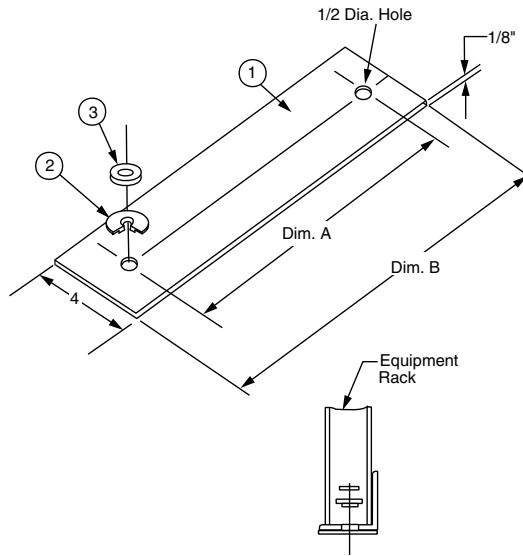


	item	qty.	description
Stock List	1	1	bracket
	2	2	wire lug
	3	2	nut
	4	10	screw
	5	8	clip
	6	1	wire

	part number
Ordering Table	0040420013

FLOOR ANGLE INSULATOR PLATE FOR OVERHEAD SUPPORTED RACK

Modified:09/25/2009



Item	Qty	Description
1	1	insulating pad
2	2	bushing
3	2	1/2" flat washer

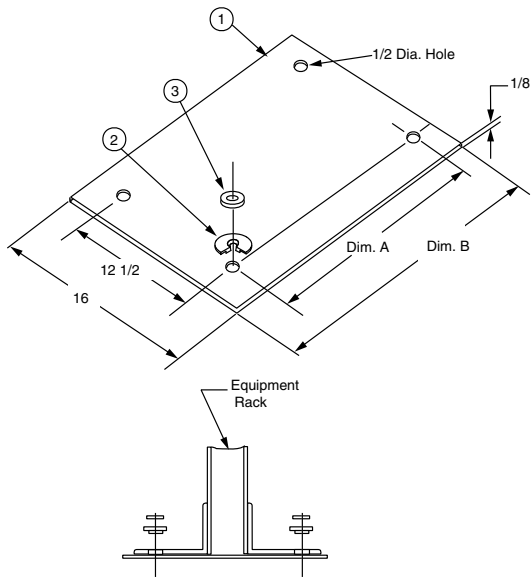
part number	A	B	rack width
0040830000	12-5/16"	20-1/4"	19"
0040840000	16-5/16"	24-1/4"	23"

Notes:

- Insulator material is rated ul 94 v-1 and has an oxygen index rating of greater than 29.

FLOOR ANGLE INSULATOR PLATE FOR FREESTANDING RACK

Modified:09/25/2009



Item	Qty	Description
1	1	insulating pad
2	4	bushing
3	4	1/2" flat washer

part number	A	B	rack width
0040850000	16"	20-1/4"	19"
0040860000	20"	24-1/4"	23"

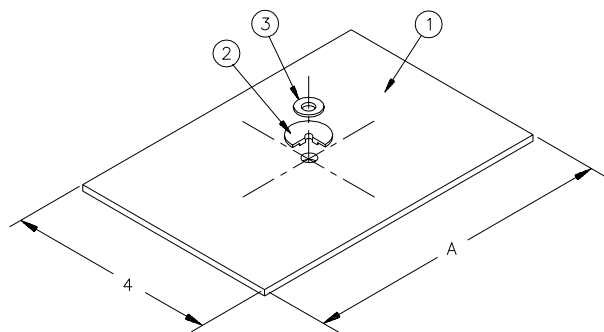
C12

Notes:

- Insulator material is rated ul 94 v-1 and has an oxygen index rating of greater than 29.

INSULATOR PAD FOR CABLE END SECTION

Modified:09/25/2009

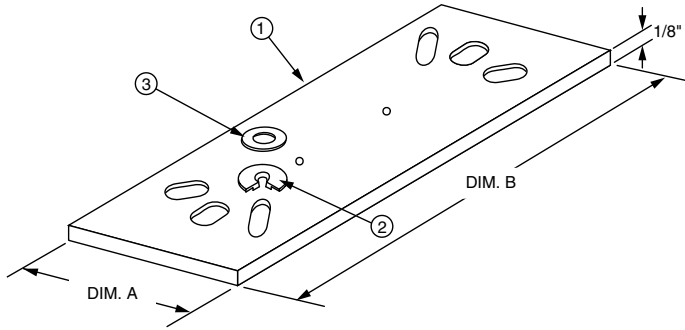


Item	Qty	Description
1	1	Insulating Pad
2	2	Bushing
3	2	Flat Washer

part number	A
2103620100	6"
2103620200	8"

INSULATOR PAD FOR UNEQUAL FLANGE EQUIPMENT RACK

Modified:09/25/2009



		part number	A	B
Ordering Table		0041170010	9-7/16"	21-11/16"
		0041180010	9-7/16"	25-11/16"

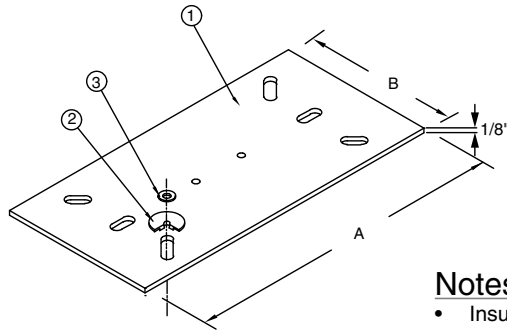
		Item	Qty	Description
Stock List		1	1	base insulator
		2	4	bushing
		3	4	1/2" flat washer

Notes:

- Insulator material is rated ul 94 v-1 and has an oxygen index rating of greater than 29.

INSULATOR PLATE ASSEMBLY, UFER

Modified:09/25/2009



		Item	Qty	Description
Stock List		1	1	insulating pad
		2	4	bushing
		3	4	flat washer

		part number	A	B
Ordering Table		2105460010	25-11/16"	14-7/16"
		2105460210	21-11/16"	14-7/16"

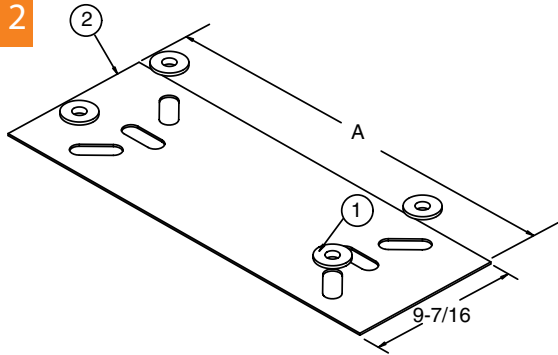
Notes:

- Insulator material is rated ul 94 v-1 and has an oxygen index rating of greater than 29.

SUFER ISOLATION KIT

Sales Sheet Modified:09/18/2017

C12



Ordering Table

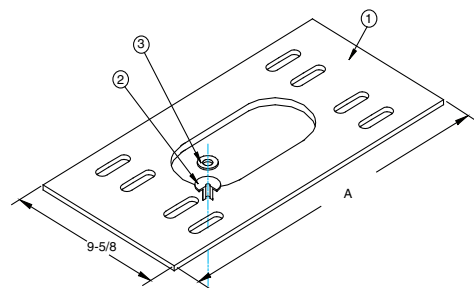
Part Number	Rack	Bushing	A
0046160100	19" SUFER	1.5"	21-11/16"
0046160200	23" SUFER	1.5"	25-11/16"
0046160300	19" NGN	1.75"	21-11/16"
0046160400	23" NGN	1.75"	25-11/16"

Stock List

Item	QTY	Description
1	4	Insulation Bushing
2	1	Insulation Pad

NETBAY FLOOR ISOLATION KIT

Modified:09/25/2009



		Item	Qty	Description
Stock List		1	1	insulator pad
		2	4	bushing
		3	4	flat washer

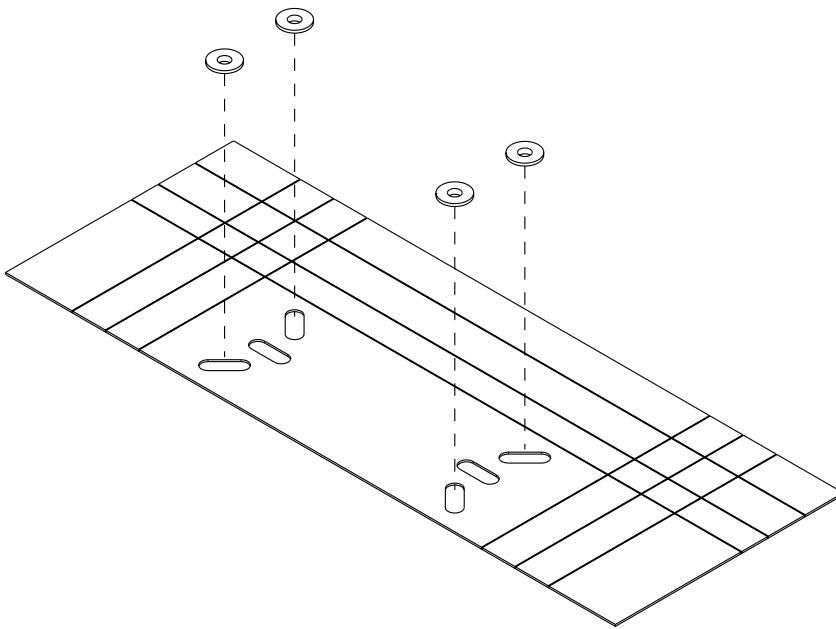
		part number	A
Ordering		00442301XX	21-7/8"
		00442302XX	25-7/8"

23" UNIVERSAL RACK ISOLATION KIT

Modified:08/27/2012

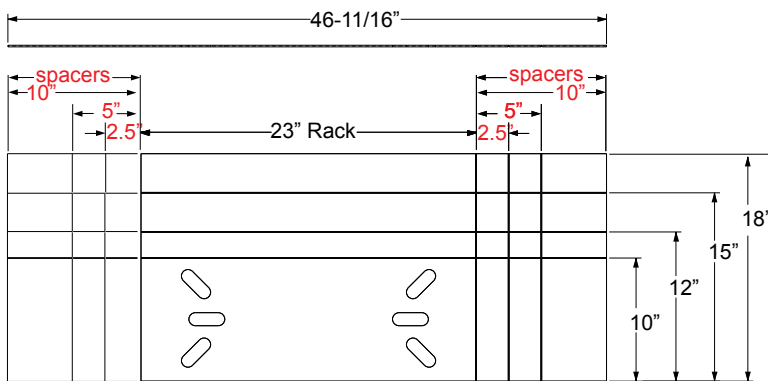
	Part Number	Application
Ordering	2221710000	seismic
	2221715000	non-seismic

*Designed for ease of installation.
Pre-scored. Installer trims off excess tabs to desired size on site*



Notes:

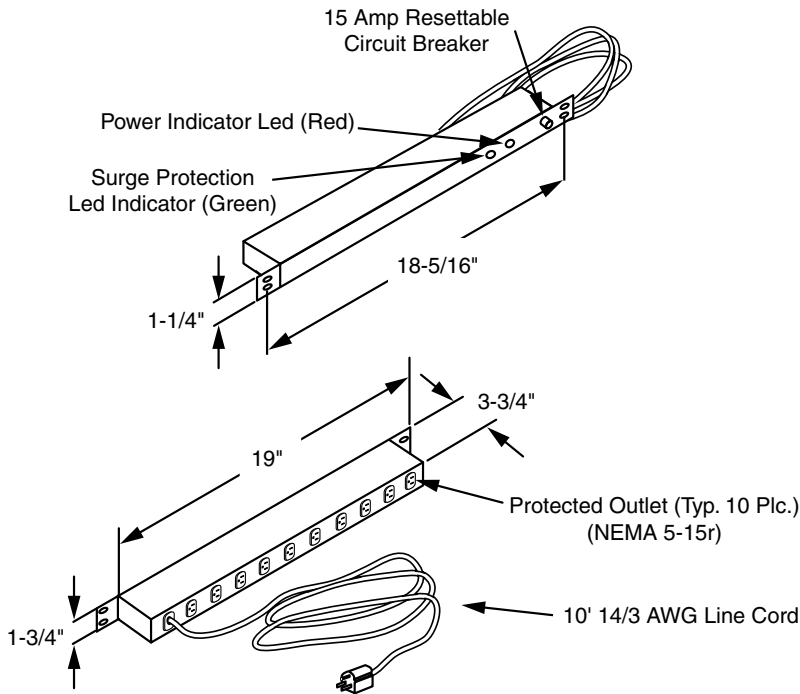
- For Unequal flange and Network bays a with matching diagonal hole pattern.
- Accomodates 12", 15" or 18" deep foot prints.
- Allows for 2.5", 5" or 10" spacing in a Bay / Rack line up.
- One isolation pad for all site requirements.
- Includes nylon bushings
- UL Rated 94V-0
- For floor mounting Kits refer to Section C9 of Newton's Big Orange Catalog.



C12

POWER STRIP, RACK MOUNTED, 10 OUTLETS, SURGE PROTECTED

Modified:10/15/2009



part number	
Ordering	2155580000

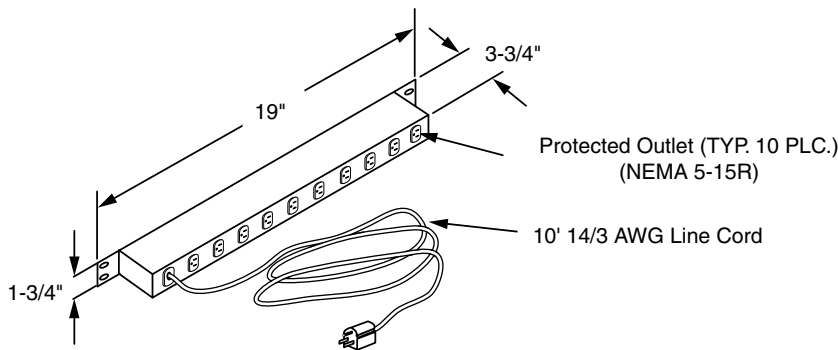
Notes:

- Material/finish: 16 awg steel/black.
- UL listed per UL 144 file e76064
- Input voltage: 95-135 vac, 15 amps.
- Output: 1875 watts @ 125 vac, 15 amps.
- Surge protection: line-to-neutral (l-n), line-to-ground (l-g), neutral-to-ground (n-g).
- Clamp voltage: 330 volts @ 500 amps, 8 x 20 microseconds (l-n, l-g, n-g).
- Transient peak current: 18,000 volts each (l-n, l-g, n-g).
- Transient energy: 240 joules each (l-n, l-g, n-g).
- Response time: 5 nanoseconds.
- Emi/rfi filtering: none.
- 1 Operating temperature: 0 to 70o c.
- 1 Weight: 7 lbs. (Nominal).

POWER STRIP, RACK MOUNTED, 10 OUTLETS, SURGE PROTECTED

Modified:10/15/2009

C12



part number		color
Ordering Table	0041420100	black

Notes:

- UL listed per UL 144 file: e7606
- Input voltage: 95-135 vac, 60 hz (nominal).
- Output: 1875 watts @ 125 vac.
- Surge protection: line-to-neutral (l-n); line-to-ground(l-g); neutral-to-ground (n-g). Clamp voltage: 330 volts @ 500 amps, 8 x 20 microseconds (l-n, l-g, n-g). Peak current: 18,000 volts each (l-n, l-g, n-g).Response time: 5 n anoseconds.
- Emi/rfi filtering: none.
- Material/finish: 16 awg steel/ black
- Weight: 7 lbs. (Nominal)

