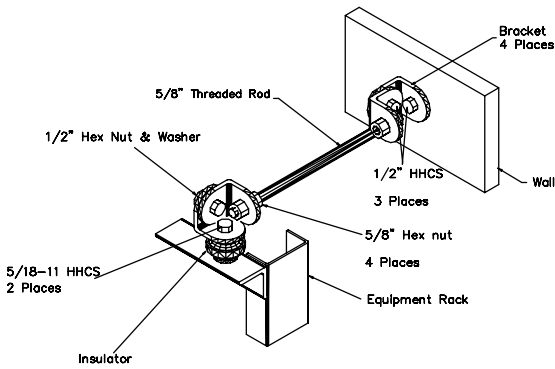


ADJUSTABLE WALL SUPPORT

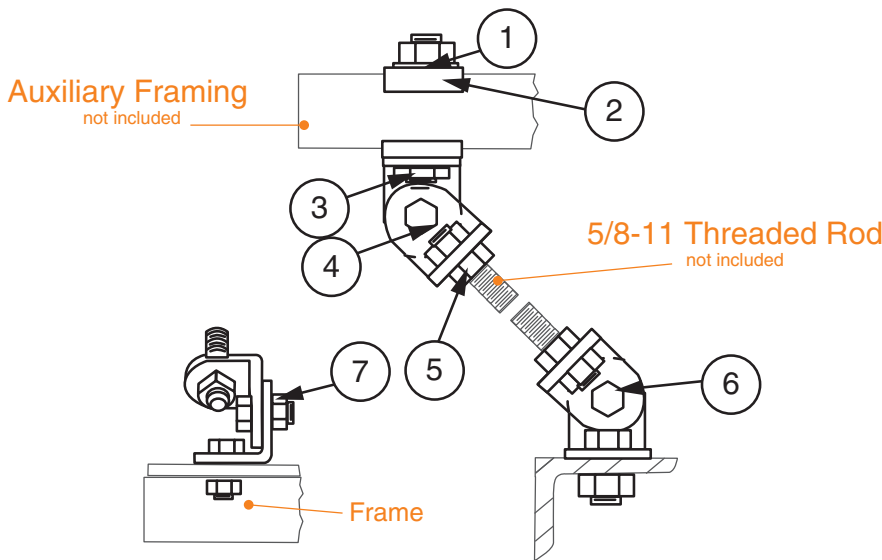
Modified:09/28/2009



part number	
Ordering Table	2178290310

BRACING FRAME FROM PARALLEL AUXILIARY FRAMING

Modified:07/01/2014



Ordering Table

Part Number	Aux
00104100xx	Bar
00104101xx	Channel

Stock List

Item	QTY	Description
1	1	5/8 Lock Washer
2	2	Clip
3	1	5/8-11 HHCS
4	4	Bracket
5	5	5/8-11 Nut
6	3	1/2"-13 HHCS
7	3	1/2-13 Nut

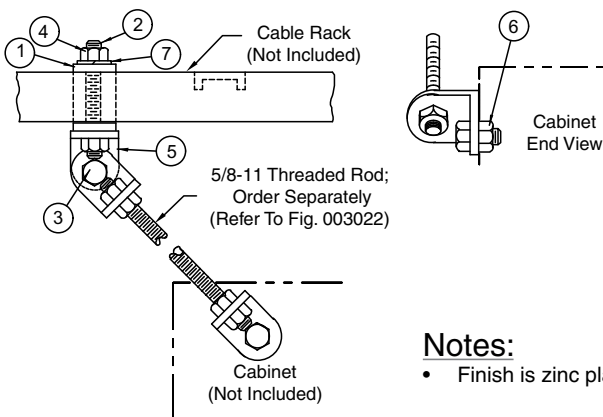
Notes:

- Finish is zinc plated and gold chromate.
- Not included; refer to 001021 or 001022.
- Not included; refer to 003022.

C13

BRACING CABLE RACK FROM CABINET

Modified:02/16/2012



part number	
Ordering	2108370010

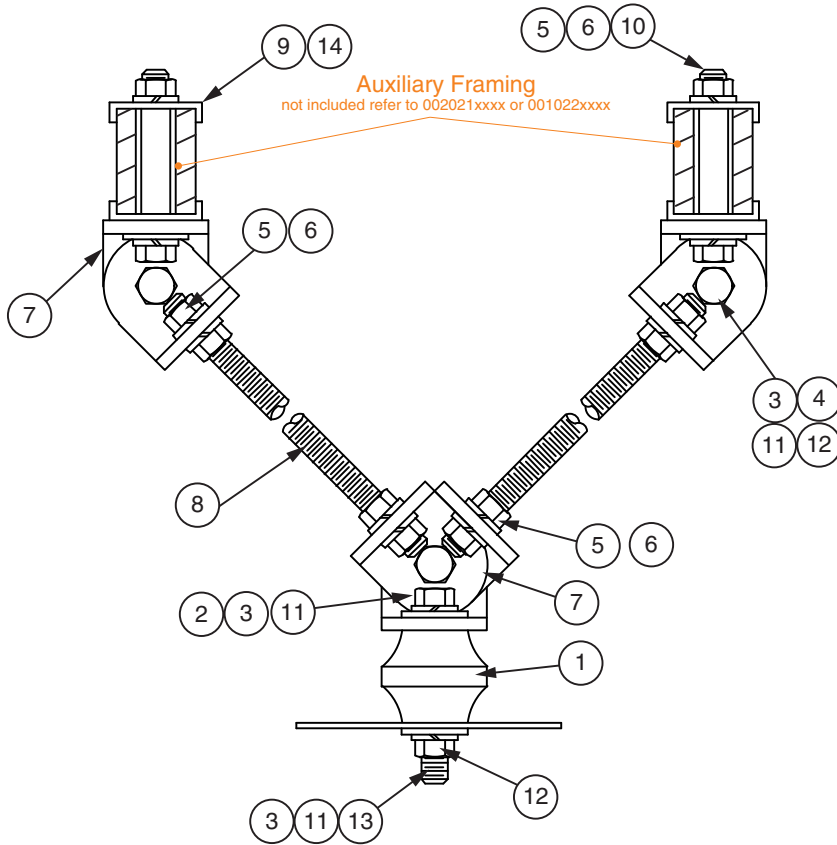
Item	Qty	Description
1	1	cable rack hanger bracket
2	1	5/8"-11 x 3-1/4" hhcs
3	2	1/2"-13 x 1-1/4" hhcs
4	5	5/8"-11 hex nut
5	3	bracket
6	2	1/2"-13 hex nut
7	1	5/8" lock washer

Notes:

- Finish is zinc plated and gold chromate.

BRACING ASSEMBLY, INSULATED

Modified:07/14/2014



Ordering Table

Part Number

21060400xx

Stock List

Item	QTY	Description
1	1	Insulator
2	1	1/2-13 X 1" HHCS
3	5	1/2 Lock Washer
4	3	1/2-13 X 2" HHCS
5	10	5/8 Lock Washer
6	10	5/8-11 Hex Nut
7	7	Bracket
8	2	5/8-11 X 48" Threaded Rod
9	4	Framing Clip
10	2	5/8-11 X 3 HHCS
11	5	1/2 Flat Washer
12	4	1/2 Hex Nut
13	1	1/2-13 X 4" Threaded Rod
14	4	1-7/8" Framing Clip

Notes:

- Finish is zinc plated and gold chromate, finish code 10.
- Insulator material is rated U.L. 94 V-1 and has an oxygen index rating of greater than 29.

C13