

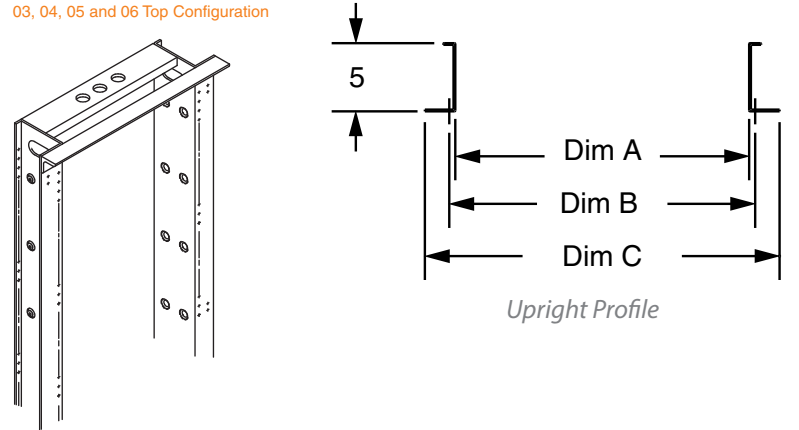
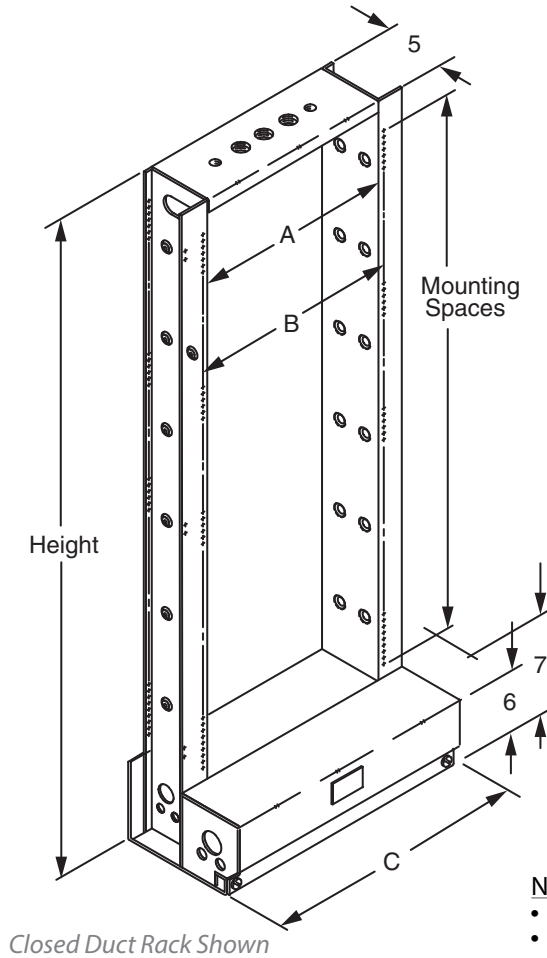
UNEQUAL FLANGE EQUIPMENT RACK

Sales Sheet Modified:01/21/2019

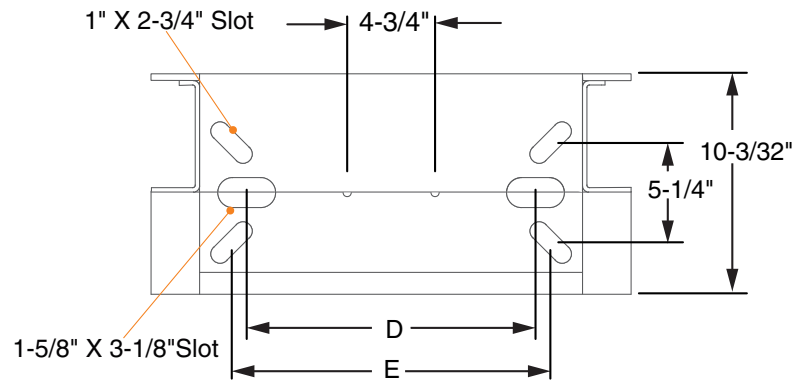
03, 04, 05 AND 06 TOP CONFIGURATION

01 and 02 Top Configuration

03, 04, 05 and 06 Top Configuration



C3



Notes:

- XX= finish code; standard finish, XX=30.
- Order accessories as required.
- Uprights are made of .125 ga.
- Base plate is 13 ga. (.090).
- Front and rear of rack tapped for 12-24 screws.
- Cable tie mounts are included; cable tie straps to be supplied by customer.

10 Digit Ordering Number

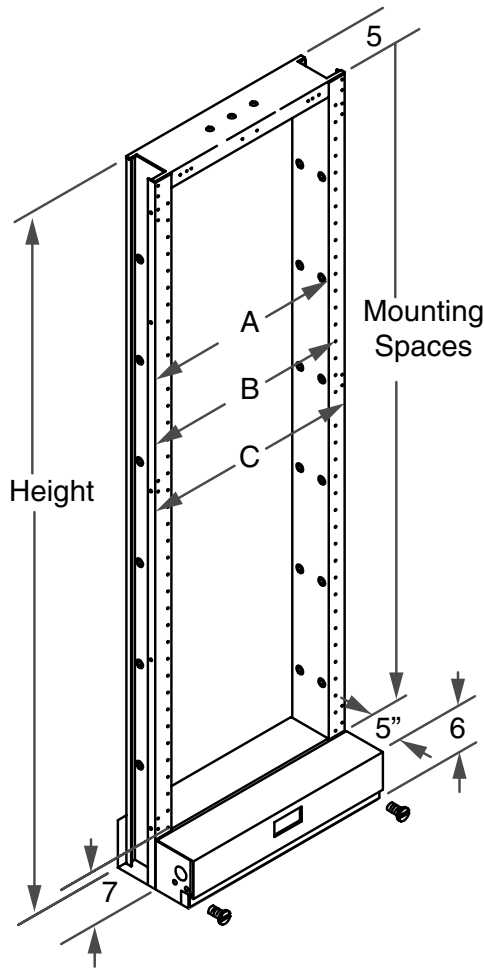
- Figure No. + Dash No. + Finish Code = Part Number
- 004095 + 03 + 30
- 19" X 8' closed unequal flange equipment rack with a 1" mounting hole pattern in a telecom gray finish

Figure Num.	A	B	C	D	E	F	Duct	Hole Pattern	Dash	Height	MTG Spaces		Color Code	Finish
											1"	1-3/4"		
004095	17-1/2"	18-5/16"	21-15/16"	11-5/8"	13-1/4"	21-15/16"	closed	1"	01	7'-0"	76	43	30	TE Gray
004096	21-1/2"	22-5/16"	25-15/16"	15-5/8"	17-1/4"	25-15/16"	closed	1"	02	7'-6"	82	46	31	ADC
004097	17-1/2"	18-5/16"	21-15/16"	11-5/8"	13-1/4"	21-15/16"	closed	1-3/4"	03	8'	86	49		
004098	21-1/2"	22-5/16"	25-15/16"	15-5/8"	17-1/4"	25-15/16"	closed	1-3/4"	04	9'	98	56		
004099	17-1/2"	18-5/16"	21-15/16"	11-5/8"	13-1/4"	21-15/16"	open	1"						
004100	21-1/2"	22-5/16"	25-15/16"	15-5/8"	17-1/4"	25-15/16"	open	1"						
004101	17-1/2"	18-5/16"	21-15/16"	11-5/8"	13-1/4"	21-15/16"	open	1-3/4"						
004102	21-1/2"	22-5/16"	25-15/16"	15-5/8"	17-1/4"	25-15/16"	open	1-3/4"						

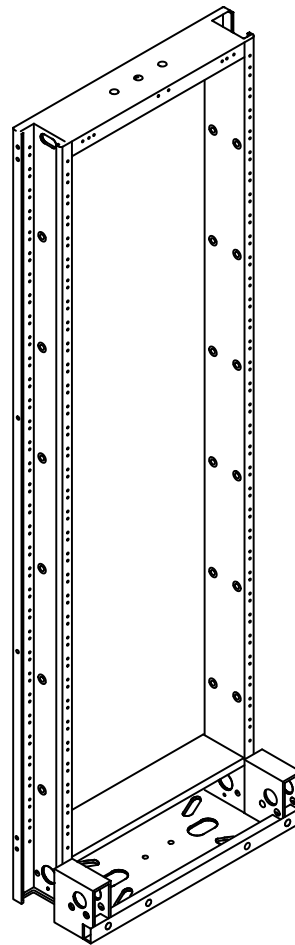
SEISMIC UNEQUAL FLANGE EQUIPMENT RACK (SUFER)

Sales Sheet Modified:01/21/2019

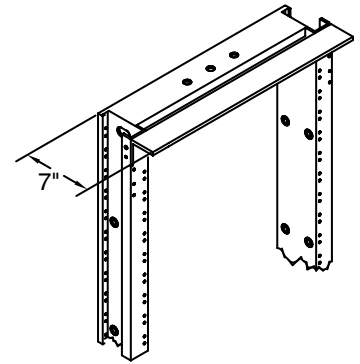
C3



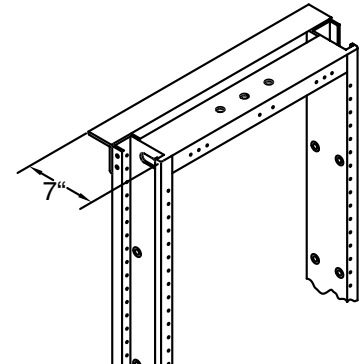
Closed SUFER
(Guard Box On Wide Flange)



Open SUFER
(Guard Box On Narrow Flange)



Top Angle On Closed SUFER



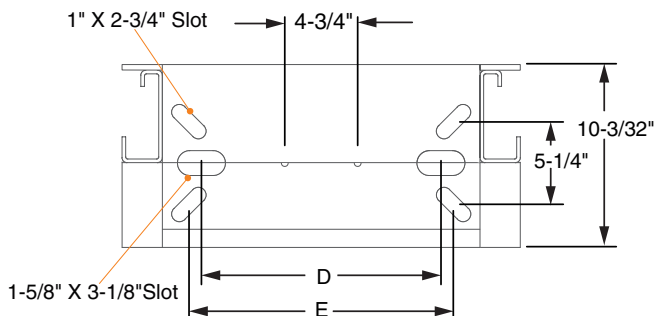
Top Angle On Open SUFER
(Top Angle On Wide Flange)

Rack Diminsions

Width	A	B	C	D	E	F
23"	21-1/2"	22-5/16"	25-15/16"	15-5/8"	17-1/4"	25-15/16"
19"	17-1/2"	18-5/16"	21-15/16"	11-5/8"	13-1/4"	21-15/16"

Mounting Options

Height	Top Angle	1"	2"	1-3/4"
7'-0"	no	74	37	43
7'-0"	yes	74	37	42
7'-6"	no	80	40	46
8'-0"	yes	86	43	49
9'-0"	yes	98	49	56



- Follow the steps below to complete your 10 Character ordering number

0046010131 • (Part number below gives you a 7'-0" x 23" closed duct unequal flange equipment rack with 1" spacing with out top angle painted gray).

0046	AA	BB	XX
<p>0046: SEISMIC UFER</p>	<p>AA: UFER & EQUIPMENT MOUNTING WIDTH 01 = 23" wide; 1" hole pattern; closed duct 02 = 23" wide; 1-3/4" hole pattern; closed duct 03 = 23" wide; 1" hole pattern; open duct 04 = 23" wide; 1-3/4" hole pattern; open duct 05 = 19" wide; 1" hole pattern; closed duct 06 = 19" wide; 1-3/4" hole pattern; closed duct 07 = 19" wide; 1" hole pattern; open duct 08 = 19" wide; 1-3/4" hole pattern; open duct</p>	<p>BB: RACK HEIGHT & TOP ANGLE 01 = 7'- 0" HEIGHT; 11 = 7'- 0" HEIGHT; WITH TOP ANGLE 02 = 7'- 6" HEIGHT; 03 = 8'- 0" HEIGHT; WITH TOP ANGLE 04 = 9'- 0" HEIGHT; WITH TOP ANGLE</p>	<p>XX: FINISH CODE 31 = GRAY 30 = TELCO GRAY</p>

C3

- STEP 1** • Choose AA number for rack according to width, hole pattern and open or closed duct.
- STEP 2** • Choose BB number for rack according to height, top angle configuration.
 • To order rack only choose dash number from table B.
 • To order rack with seismic floor mounting kit, call your CSR --(919) 575-6426.
- STEP 3** • The standard finish codes for sufer is "31". Other finishes are available upon request.

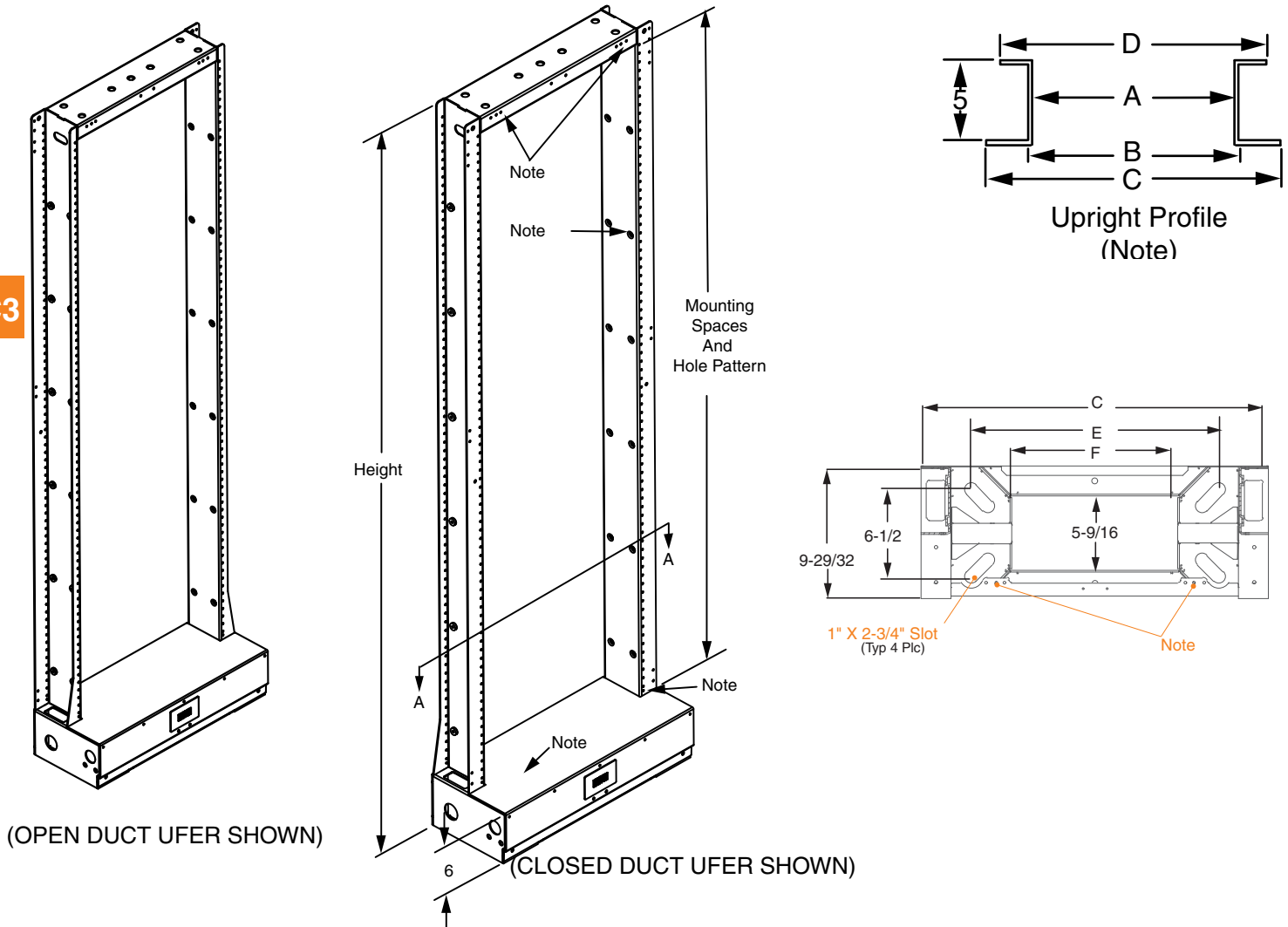
Notes:

- Meets the earthquake criteria (seismic Zone 4) of Telcordia document . GR-63-core, issue 1, sections 4.4 And 5.4, When loaded with 500 pounds to simulate rack mounted equipment.
- To order equipment rack only: choose fig. Number from table a in step 1 and the table bin step 2.
- Front and rear of uprights tapped for 12-24 screws
- Cable tie mount kit (p/n 2103180000) is included; separately order cable tie bar kit (fig. 004119) As required. Cable ties (nylon, plastic, etc.) To be customer provided.
- Rack must be secured to concrete floor using seismic floor mounting kit (222128xxxx, 004615xxxx Or equivalent). Installing this rack in any other manner may impact load capacity and seismic performance.
- Determine the equipment rack and seismic floor mounting kit desired. The combination of these two determines the dash number from table c in step 2. Refer to fig. 004615 For additional detail.

TRANSITIONAL UNEQUAL FLANGE EQUIPMENT RACK (UFER) - SEISMIC

Modified:01/21/2019

C3



(OPEN DUCT UFER SHOWN)

(CLOSED DUCT UFER SHOWN)

	description	mounting spaces	width	A	B	C	D	E	F
UFER	WECO 1"; 12-24	74	23"	21-1/2"	22-5/16"	25-7/8"	23-7/8"	18-7/64"	12-3/8"
	EIA Universal (5/8" x 5/8" x 1/2"); 12-24	42	19"	17-1/2"	18-5/16"	21-7/8"	19-7/8"	14-7/64"	8-3/8"
	EIA Wide (1-1/4" x 1/2"); 12-24	42							

	description	mounting spaces
Netbay	WECO 1"; 12-24	76
	EIA Universal (5/8" x 5/8" x 1/2"); 12-24	44
	EIA Wide (1-1/4" x 1/2"); 12-24	44

Features

- This is the standard UFER with a redesigned upright to remove the return flanges, giving a little more room for inter bay wire harnesses. It also has a one piece base cover allowing easier access for installation.
- This 7'-0" Seismic versions meet the earthquake criteria (Seismic Zone 4) of Telcordia Document GR-63-core, issue 1, sections 4.4 And 5.4, When loaded with 500 pounds to simulate rack Mounted equipment.

Ordering information

Use the following to determine the ten-character ordering number of the ngn type rack desired. The ordering number is constructed as follows

Examples:

Ordering number 0080200131 specifies a seismic unequal flange equipment rack (SUFER), 7'-0" height, without a top angle, 23" equipment mounting, closed duct, 1" mounting hole pattern, finish code 31 (gray).

Ordering number 0080370731 specifies a seismic unequal flange equipment rack (sufer), 9' - 0" height, with a top angle, 19" equipment mounting, open duct, **EIA** universal hole pattern (5/8" - 5/8" -1/2"), Finish code 31 (gray).

C3

0080xxxxxx

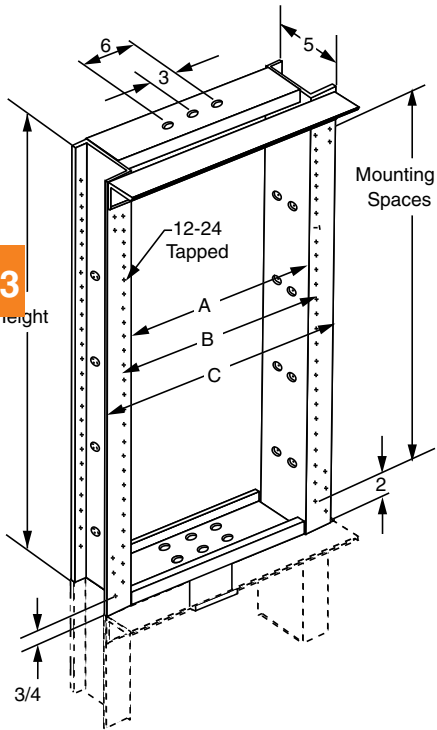
0080	A	B	CC	XX
0080: (Transitional Equipment Rack Series)				XX: FINISH CODE 31 = GRAY 64 = BLUE
A: RACK TYPE & EQUIPMENT MOUNTING WIDTH 2 = SEISMIC UNEQUAL FLANGE EQUIPMENT RACK (SUFER); 23" 3 = SEISMIC UNEQUAL FLANGE EQUIPMENT RACK (SUFER); 19"			CC: RACK HEIGHT & TOP ANGLE 01 = 7' - 0" HEIGHT; WITHOUT TOP ANGLE 02 = 7' - 0" HEIGHT; WITH TOP ANGLE 03 = 7' - 6" HEIGHT; WITHOUT TOP ANGLE 04 = 7' - 6" HEIGHT; WITH TOP ANGLE 05 = 8' - 0" HEIGHT; WITH TOP ANGLE 07 = 9' - 0" HEIGHT; WITH TOP ANGLE	
B: DUCT TYPE, EQUIPMENT MOUNTING HOLE PATTERN 0 = CLOSED DUCT, 1" HOLE PATTERN; 12-24 1 = CLOSED DUCT, EIA WIDE (1-1/4" -1/2") HOLE PATTERN; 12-24 2 = CLOSED DUCT, EIA UNIVERSAL (5/8" - 5/8" -1/2") HOLE PATTERN; 12-24 5 = OPEN DUCT, 1" HOLE PATTERN; 12-24 6 = OPEN DUCT, EIA WIDE (1-1/4" -1/2") HOLE PATTERN; 12-24 7 = OPEN DUCT, EIA UNIVERSAL (5/8" - 5/8" -1/2") HOLE PATTERN; 12-24				

Notes:

- Available in closed duct (wide flange on guard rail side to the front) or open duct (narrow flange on guard rail side to the front) versions. Open duct with **EIA** wide spacing shown.
- This front guard rail is provided with the rack.
- Four 2" square washers are included with rack.
- Provision for attachment of user-provided two-hole grounding lug.
- Provision (three weld nuts) for attachment of user-provided 5/8" threaded rod.
- For 7'-0" and 7'-6" racks with a top angle, subtract one mounting space from that shown for 7'-0" and 7'-6" rack without a top angle
- Base mounting pattern (refer to section a-a) meets the criteria of gr-63-core, figure 2-1b.
- Rack must be secured to concrete floor using seismic floor mounting kit (222128xxxx, 004615xxxx Or equivalent). Installing this rack in any other manner may impact load . capacity and seismic performance.

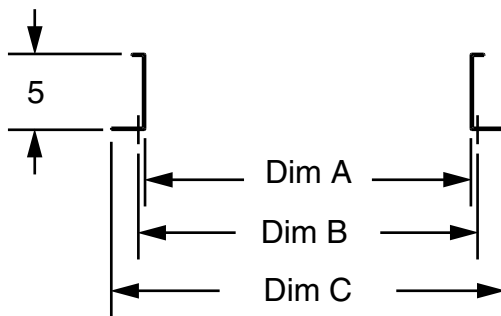
UNEQUAL FLANGE EQUIPMENT RACK EXTENSION, OPEN OR CLOSED

Modified:12/27/2011



Part Number	Description	Height	Mtg Spc	A	B	C	Hole Spc
00411301 XX	7'-0" to 8'-0"	12"	7	17-1/2"	18-5/16"	21-15/16"	1"
00411302 XX	7'-0" to 9'-0"	24"	19	17-1/2"	18-5/16"	21-15/16"	1"
00411303 XX	7'-0" to 11'-6"	54"	49	17-1/2"	18-5/16"	21-15/16"	1"
00411304 XX	8'-0" to 9'-0"	12"	7	17-1/2"	18-5/16"	21-15/16"	1"
00411305 XX	8'-0" to 11'-6"	42"	37	17-1/2"	18-5/16"	21-15/16"	1"
00411306 XX	9'-0" to 11'-6"	30"	25	17-1/2"	18-5/16"	21-15/16"	1"
00411401 XX	7'-0" to 8'-0"	12"	7	21-1/2"	22-5/16"	25-15/16"	1"
00411402 XX	7'-0" to 9'-0"	24"	19	21-1/2"	22-5/16"	25-15/16"	1"
00411403 XX	7'-0" to 11'-6"	54"	49	21-1/2"	22-5/16"	25-15/16"	1"
00411404 XX	8'-0" to 9'-0"	12"	7	21-1/2"	22-5/16"	25-15/16"	1"
00411405 XX	8'-0" to 11'-6"	42"	37	21-1/2"	22-5/16"	25-15/16"	1"
00411406 XX	9'-0" to 11'-6"	30"	25	21-1/2"	22-5/16"	25-15/16"	1"
00411501 XX	7'-0" to 8'-0"	12"	4	17-1/2"	18-5/16"	21-15/16"	1-3/4"
00411502 XX	7'-0" to 9'-0"	24"	11	17-1/2"	18-5/16"	21-15/16"	1-3/4"
00411503 XX	7'-0" to 11'-6"	54"	28	17-1/2"	18-5/16"	21-15/16"	1-3/4"
00411504 XX	8'-0" to 9'-0"	12"	4	17-1/2"	18-5/16"	21-15/16"	1-3/4"
00411505 XX	8'-0" to 11'-6"	42"	21	17-1/2"	18-5/16"	21-15/16"	1-3/4"
00411506 XX	9'-0" to 11'-6"	30"	15	17-1/2"	18-5/16"	21-15/16"	1-3/4"
00411601 XX	7'-0" to 8'-0"	12"	4	21-1/2"	22-5/16"	25-15/16"	1-3/4"
00411602 XX	7'-0" to 9'-0"	24"	11	21-1/2"	22-5/16"	25-15/16"	1-3/4"
00411603 XX	7'-0" to 11'-6"	54"	28	21-1/2"	22-5/16"	25-15/16"	1-3/4"
00411604 XX	8'-0" to 9'-0"	12"	4	21-1/2"	22-5/16"	25-15/16"	1-3/4"
00411605 XX	8'-0" to 11'-6"	42"	21	21-1/2"	22-5/16"	25-15/16"	1-3/4"
00411606 XX	9'-0" to 11'-6"	30"	15	21-1/2"	22-5/16"	25-15/16"	1-3/4"

Ordering Table

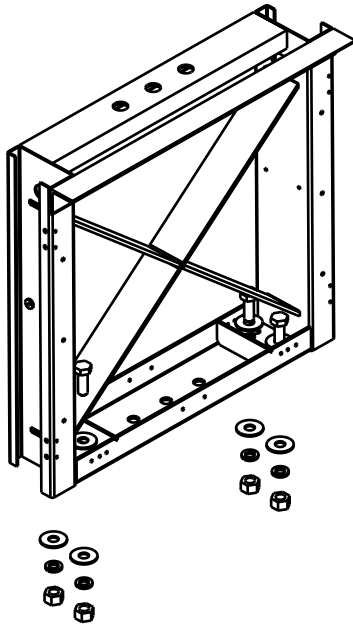


Notes:

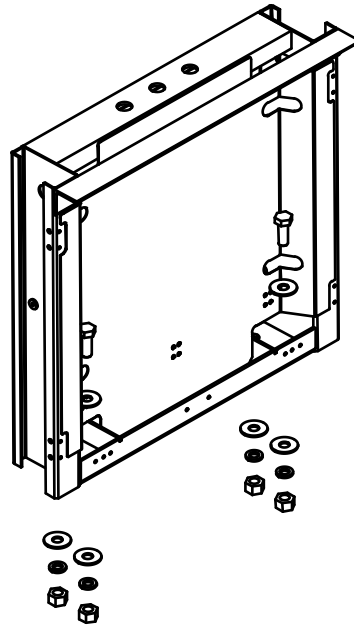
- XX= finish code; standard finish, XX= 31.
- Closed duct rack is shown in illustration. The extension can be turned 180 degrees and mounted to open duct rack.
- Extension is designed to mount to either 3" or 5" top channel.
- Front and rear of rack extension tapped for 12-24 screws.
- Cable tie mounts are included; separately order cable tie bar kit (004119) as required. Cable ties (nylon, plastic, etc.) To be customer provided.
- Mounting hardware for attaching extension to equipment rack is provided.

23" SEISMIC UFER EXTENSION ASSEMBLY

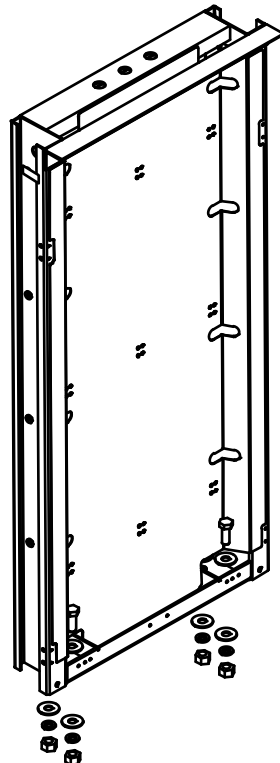
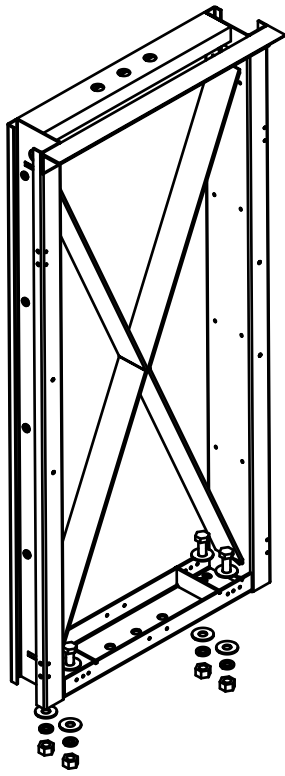
Modified: 10/01/2009



**X-BRACING
EXAMPLE**



**FLAT PANEL
EXAMPLE**



	part number	Height	Bracing
Ordering Table	21743100xx	54"	x-bracing
	21743102xx	56"	x-bracing
	21743103xx	30"	x-bracing
	21743104xx	12"	x-bracing
	21743150xx	54"	flat panel
	21743152xx	56"	flat panel
	21743154xx	12"	flat panel
	21779800xx	24"	x-bracing
	21779850xx	24"	flat panel

C3

NOTES: