

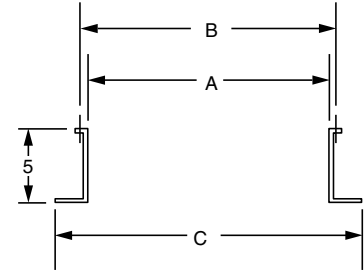
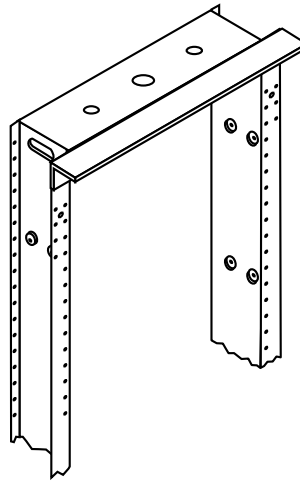
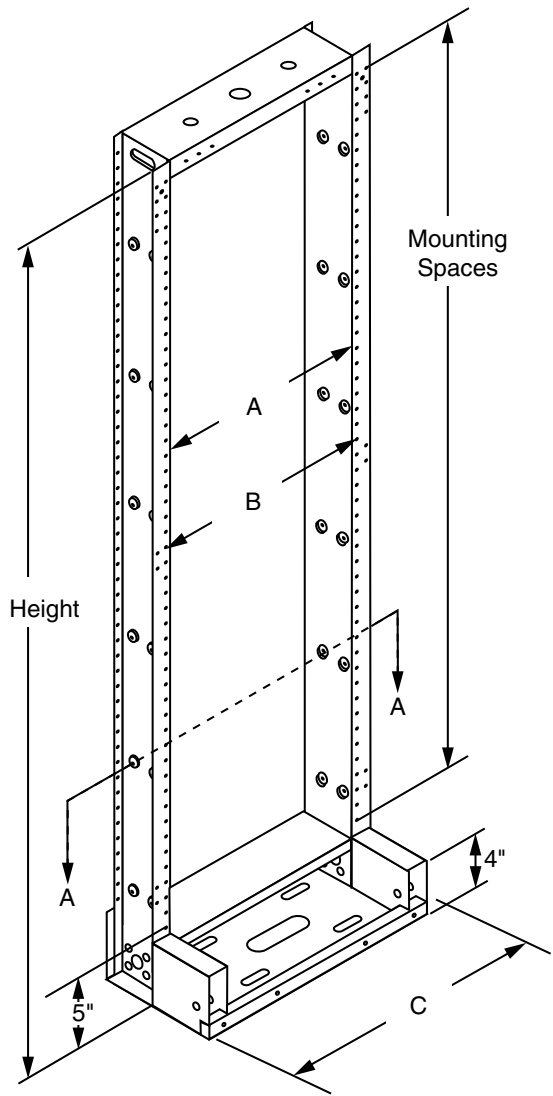
NETWORK BAY FRAME

Modified:01/21/2019

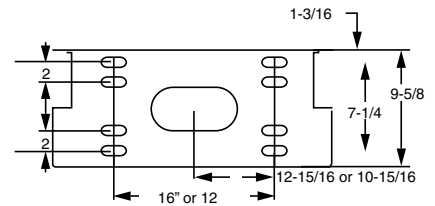
01 & 02 Top Configuration

03, 04, 05 AND 06 TOP CONFIGURATION

Closed Duct Rack Shown



C4



Notes:

- XX= finish code; standard finish, 64. Others available upon request.
- Front and rear of frame tapped for 12-24 screws.
- Cable tie mounts are included
- Order cable tie bar kit (004119) as required.
- Uprights are made of .125 ga.
- Base plate is 13 ga. (.090).
- Order accessories as required.

10 DIGIT ORDERING NUMBER

- Figure No. + Dash No. + Finish Code = Part Number
- 004401+ 03 + 64 =0044010364
- 23" X 8" Closed Network Bay With A 1" Mounting Hole Pattern In A Network Blue Finish

Figure Number	A	B	C	Duct	Hole Pattern
004401	21-1/2"	22-5/16"	25-15/16"	closed	1"
004402	21-1/2"	22-5/16"	25-15/16"	closed	1-3/4"
004406	21-1/2"	22-5/16"	25-15/16"	open	1"
004407	21-1/2"	22-5/16"	25-15/16"	open	1-3/4"
004411	17-1/2"	18-5/16"	21-15/16"	closed	1"
004412	17-1/2"	18-5/16"	21-15/16"	closed	1-3/4"
004417	17-1/2"	18-5/16"	21-15/16"	open	1-3/4"

+

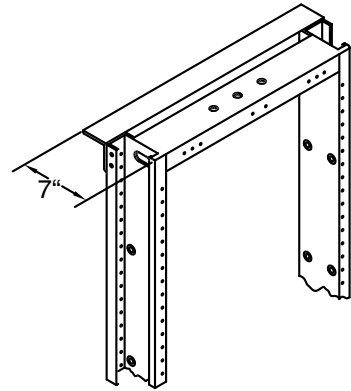
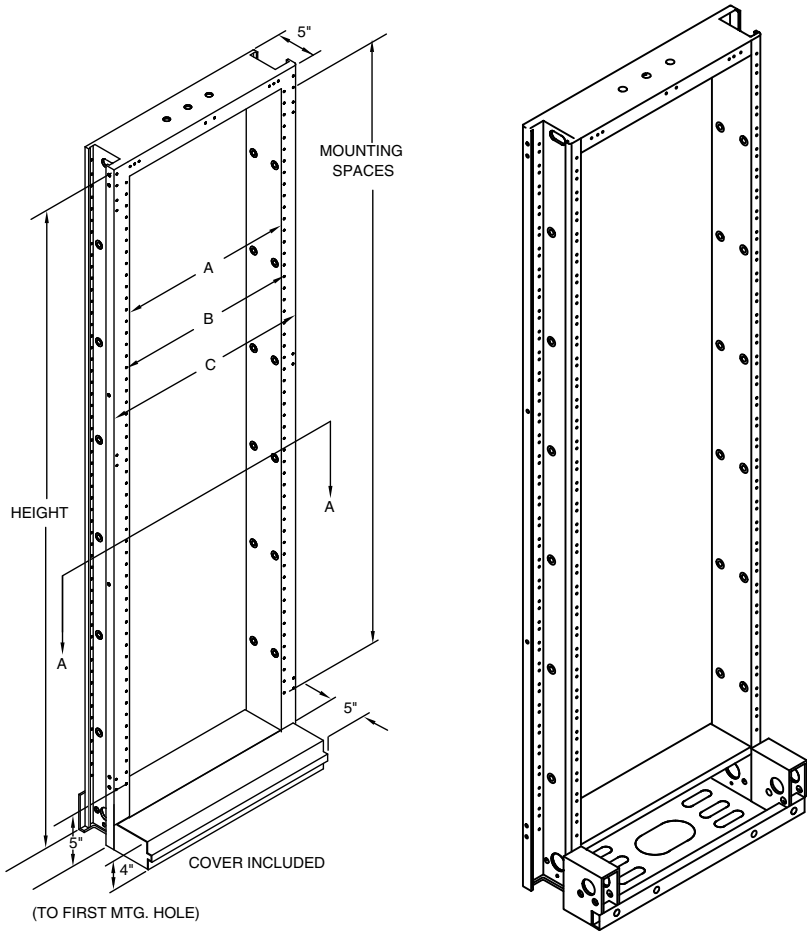
Dash	Height	Mtg. Spaces	
		1"	1-3/4"
01	7'-0"	77	44
02	7'-6"	83	47
03	8'-0"	88	51
04	9'-0"	100	57

+

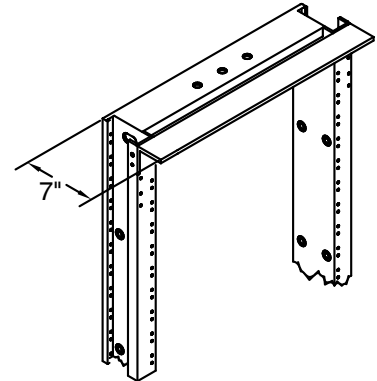
Color Code	Description
64	Blue
30	TE Gray
31	Gray

SEISMIC NETWORK BAY

C4



• TOP ANGLE ON OPEN snetbay



• TOP ANGLE ON CLOSED snetbay

- Closed Network Bay
(Guard Box On Wide Flange)

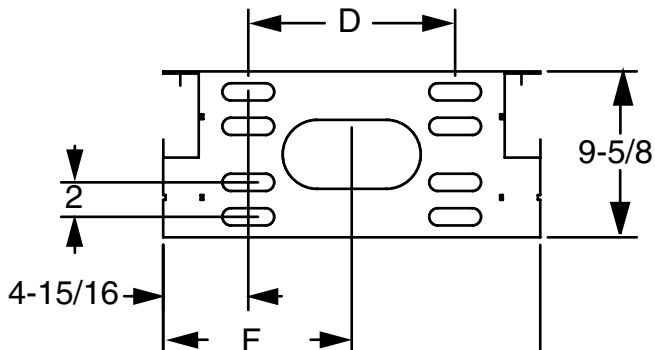
- Open Network Bay
(Guard Box On Narrow Flange)

Rack Dimensions

Width	A	B	C	D	E	F
23"	21-1/2"	22-5/16"	25-15/16"	16"	25-7/8"	12-15/16"
19"	17-1/2"	18-5/16"	21-15/16"	12"	21-7/8"	10-15/16"

Mounting Options

Height	Top Angle	2"	1-3/4"
7'-0"	no	38	44
7'-0"	yes	38	43
7'-6"	no	41	47
8'-0"	yes	44	50
9'-0"	yes	50	57



- Follow the steps below to complete your 10 character ordering number
 0047011164 • (part number below gives you a 7'-0" x 23" with 1" spacing with Top angle painted blue wrinkle).

0047	AA	BB	XX
0047: SEISMIC NETWORK BAY			XX: FINISH CODE 31 = GRAY 64 = BLUE
<p>AA: NETWORK BAY RACK & EQUIPMENT MOUNTING WIDTH</p> <p>01 = 23" wide; 1" hole pattern; closed duct 02 = 23" wide; 1-3/4" hole pattern; closed duct 03 = 23" wide; 1" hole pattern; open duct 04 = 23" wide; 1-3/4" hole pattern; open duct 05 = 19" wide; 1" hole pattern; closed duct 06 = 19" wide; 1-3/4" hole pattern; closed duct 07 = 19" wide; 1" hole pattern; open duct 08 = 19" wide; 1-3/4" hole pattern; open duct</p>		<p>BB: RACK HEIGHT & TOP ANGLE</p> <p>01 = 7'- 0" HEIGHT; 11 = 7'- 0" HEIGHT; WITH TOP ANGLE 02 = 7'- 6" HEIGHT; 03 = 8'- 0" HEIGHT; WITH TOP ANGLE 04 = 9'- 0" HEIGHT; WITH TOP ANGLE</p>	

C4

- STEP 1** • Choose figure number for rack according to width, hole pattern and open or closed duct.
- STEP 2** • Choose dash number for rack according to height, top angle configuration.
 • To order rack only choose dash number from table B.
 • To order rack with seismic floor mounting kit, call your CSR --(919) 575-6426.
- STEP 3** • The standard finish codes for sufer is "64". Other finishes are available upon request.

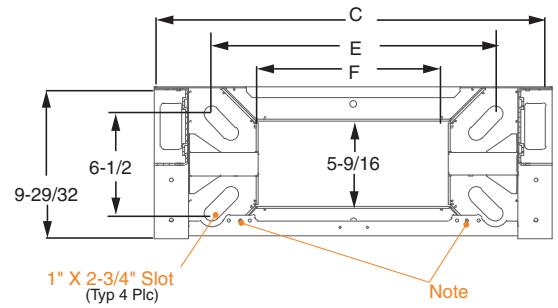
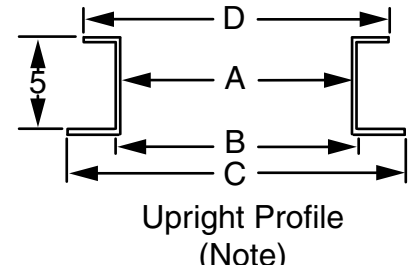
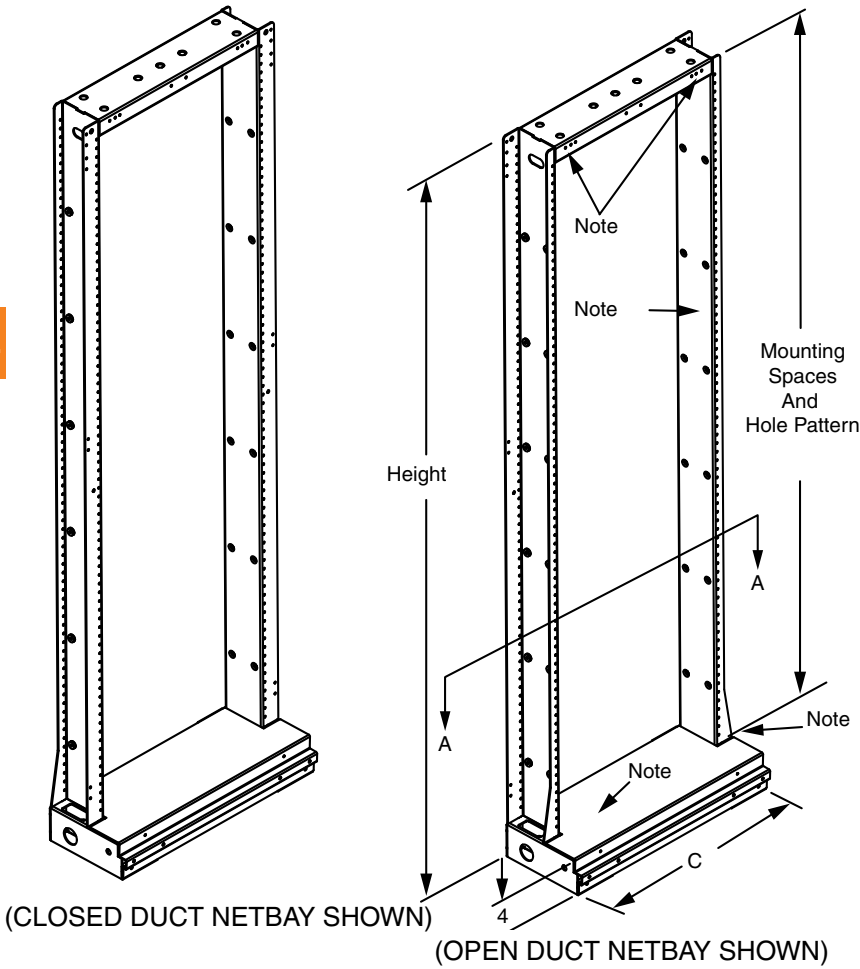
Notes:

- Meets the earthquake criteria (seismic Zone 4) of Telcordia document . GR-63-core, issue 1, sections 4.4 And 5.4, When loaded with 500 pounds to simulate rack mounted equipment.
- To order equipment rack only: choose fig. Number from table a in step 1 and the table b in step 2.
- Front and rear of uprights tapped for 12-24 screws.
- Cable tie mount kit (p/n 2103180000) is included; separately order cable tie bar kit (fig. 004119) As required. Cable ties (nylon, plastic, etc.) To be customer provided.
- Rack must be secured to concrete floor using seismic floor mounting kit (222128xxxx, 004615xxxx Or equivalent). Installing this rack in any other manner may impact load . capacity and seismic performance.
- Determine the equipment rack and seismic floor mounting kit desired. The combination of these two determines the dash number from table c in step 2.
- Refer to fig. 004615 For additional detail.

TRANSITIONAL NETWORK BAY - SEISMIC

Modified:02/16/2017

C4



width	A	B	C	D	E	F
23"	21-1/2"	22-5/16"	25-7/8"	23-7/8"	18-7/64"	12-3/8"
19"	17-1/2"	18-5/16"	21-7/8"	19-7/8"	14-7/64"	8-3/8"

	description	mounting spaces
UFER	WECO 1"; 12-24	74
	EIA Universal (5/8" x 5/8" x 1/2"); 12-24	42
	EIA Wide (1-1/4" x 1/2"); 12-24	42

	description	mounting spaces
Netbay	WECO 1"; 12-24	76
	EIA Universal (5/8" x 5/8" x 1/2"); 12-24	44
	EIA Wide (1-1/4" x 1/2"); 12-24	44

Features

- This is the standard Network Bay with a redesigned upright to remove the return flanges, giving a little more room for interbay wire harnesses. It also has a one piece base cover allowing easier access for installation.
- The 7'-0" Seismic versions meet the earthquake criteria (seismic Zone 4) of Telcordia Document GR-63-core, issue 1, sections 4.4 And 5.4, When loaded with 500 pounds to simulate rack Mounted equipment.

Ordering information

Use the following to determine the ten-character ordering number of the ngn type rack desired. The ordering number is constructed as follows

Examples:

Ordering number 0080700131 specifies a seismic Network Bay equipment rack (SNetBay), 7'-0" height, without a top angle, 23" equipment mounting, closed duct, 1" mounting hole pattern, finish code 31 (gray).

Ordering number 0080870731 specifies a seismic Network Bay equipment rack (snetbay), 9' - 0" height, with a top angle, 19" equipment mounting, open duct, eia universal hole pattern (5/8" - 5/8" -1/2"), Finish code 31 (gray).

C4

0080xxxxxx

0080	A	B	CC	XX
<p>0080: (Transitional Equipment Rack Series)</p>	<p>A: RACK TYPE & EQUIPMENT MOUNTING WIDTH 7 = SEISMIC NETWORK BAY (SNW BAY); 23" 8 = SEISMIC NETWORK BAY (SNW BAY); 19"</p>	<p>B: DUCT TYPE, EQUIPMENT MOUNTING HOLE PATTERN 0 = CLOSED DUCT, 1" HOLE PATTERN; 12-24 1 = CLOSED DUCT, EIA WIDE (1-1/4" -1/2") HOLE PATTERN; 12-24 2 = CLOSED DUCT, EIA UNIVERSAL (5/8" - 5/8" -1/2") HOLE PATTERN; 12-24 5 = OPEN DUCT, 1" HOLE PATTERN; 12-24 6 = OPEN DUCT, EIA WIDE (1-1/4" -1/2") HOLE PATTERN; 12-24 7 = OPEN DUCT, EIA UNIVERSAL (5/8" - 5/8" -1/2") HOLE PATTERN; 12-24</p>	<p>CC: RACK HEIGHT & TOP ANGLE 01 = 7' - 0" HEIGHT; WITHOUT TOP ANGLE 02 = 7' - 0" HEIGHT; WITH TOP ANGLE 03 = 7' - 6" HEIGHT; WITHOUT TOP ANGLE 04 = 7' - 6" HEIGHT; WITH TOP ANGLE 05 = 8' - 0" HEIGHT; WITH TOP ANGLE 07 = 9' - 0" HEIGHT; WITH TOP ANGLE</p>	<p>XX: FINISH CODE 31 = GRAY 64 = BLUE</p>

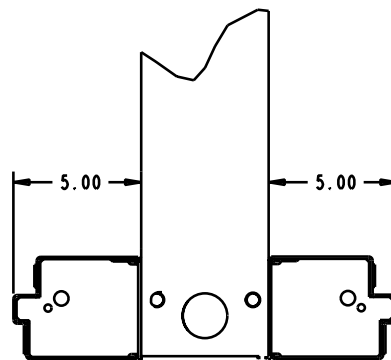
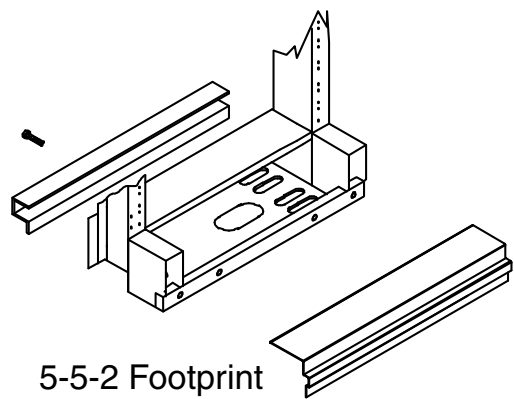
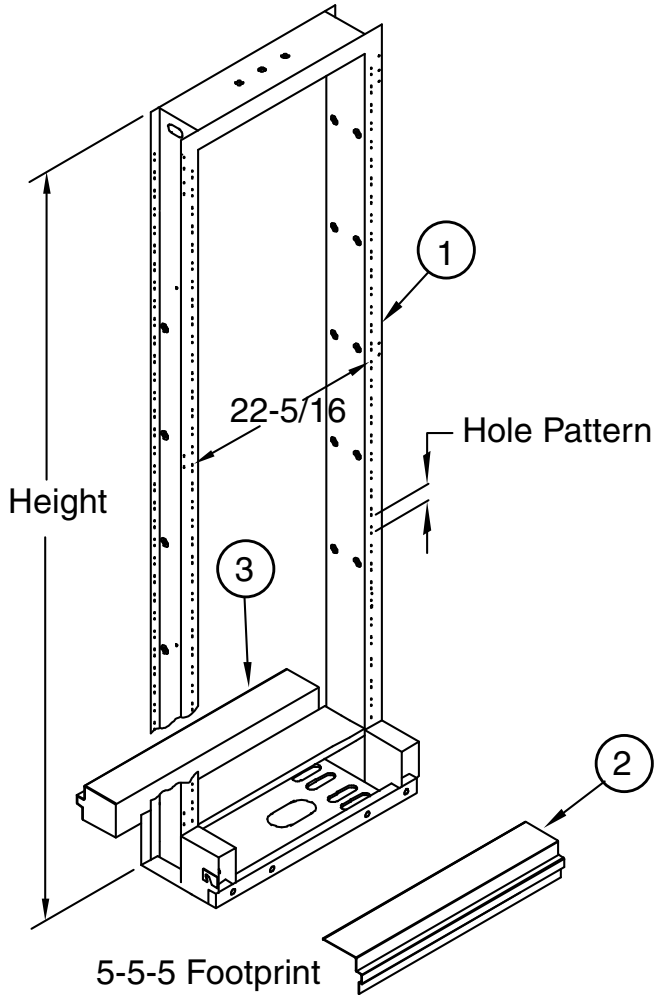
Notes:

- Available in closed duct (wide flange on guard rail side to the front) or open duct (narrow flange on guard rail side to the front) versions. Open duct with eia wide spacing shown.
- This front guard rail is provided with the seismic network bay (snwbay).
- Four 2" square washers are included with seismic versions.
- Provision for attachment of user-provided two-hole grounding lug.
- Provision (three weld nuts) for attachment of user-provided 5/8" threaded rod.
- For 7'-0" and 7'-6" racks with a top angle, subtract one mounting space from that shown for 7'-0" and 7'-6" rack without a top angle
- Base mounting pattern (refer to section a-a) meets the criteria of GR-63-core, figure 2-1b.
- Rack must be secured to concrete floor using seismic floor mounting kit (222128xxxx, 004615xxxx Or equivalent). Installing this rack in any other

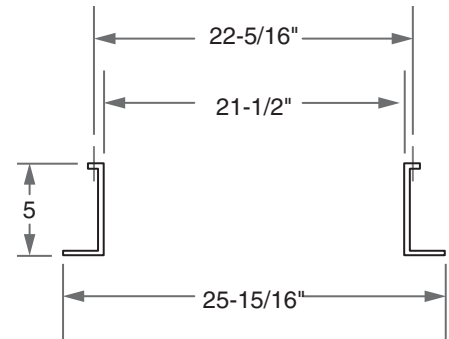
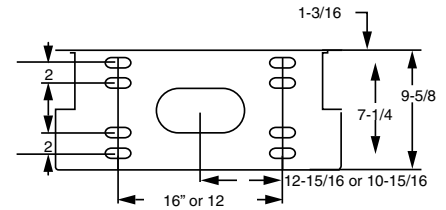
NETWORK BAY KIT, 23"

Modified:08/07/2017

C4



5-5-5 Footprint



Ordering Table

Part Number	Height	Mnt. Pattern	Footprint
22254501xx	7'-0"	1-3/4"	5-5-2
22254511xx	7'-0"	1-3/4"	5-5-5
22254521xx	7'-0"	1"	5-5-2
22254531xx	7'-0"	1"	5-5-5

Stock List

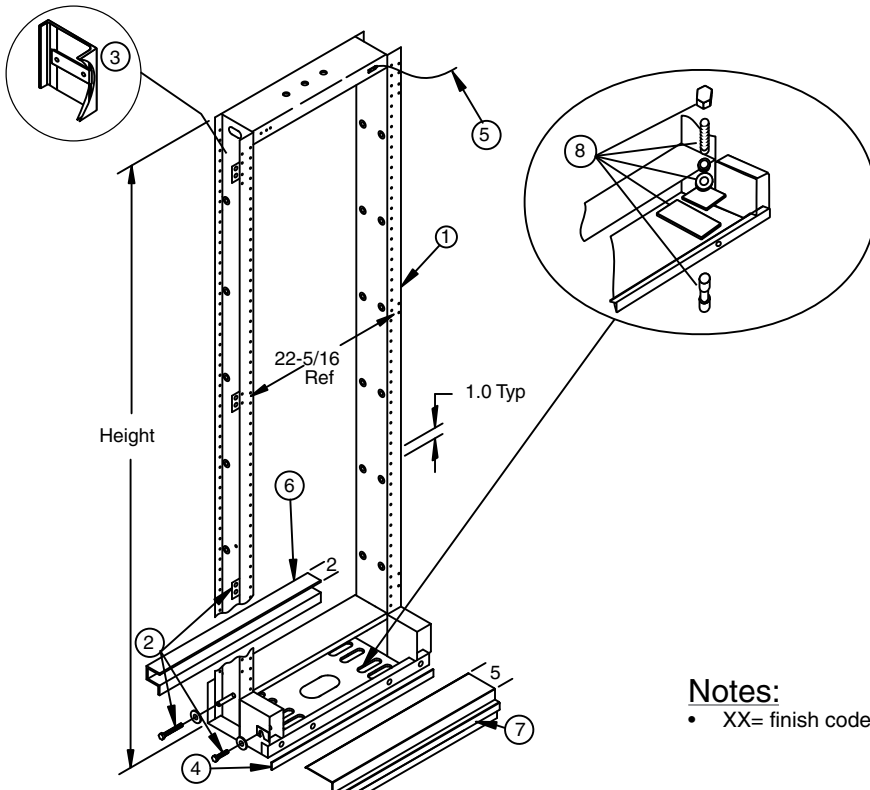
Item	QTY	Description
1	1	23" Network Bay
2	1	Front Guard Rail
3	1	Rear Guard Rail Kit
4	1	Junction Kit

Note:

- For more guard rail options for network bays, refer to the guard section

NETWORK BAY KIT, 23" X 1" CLOSED

Modified:01/21/2019



	Part Number	Height
Ordering	00448301xx	7'-0"
	00448302xx	7'-6"
	00448303xx	8'-0"
	00448304xx	9'-0"

	Item	Qty.	Description
Stock List	1	1	Netbay
	2	1	rack junction kit
	3	1	cable tie bar kit
	4	1	guard rail dust flashing
	5	1	green ground strap kit
	6	1	rear guard rail
	7	1	front guard
	8	1	floor mounting kit

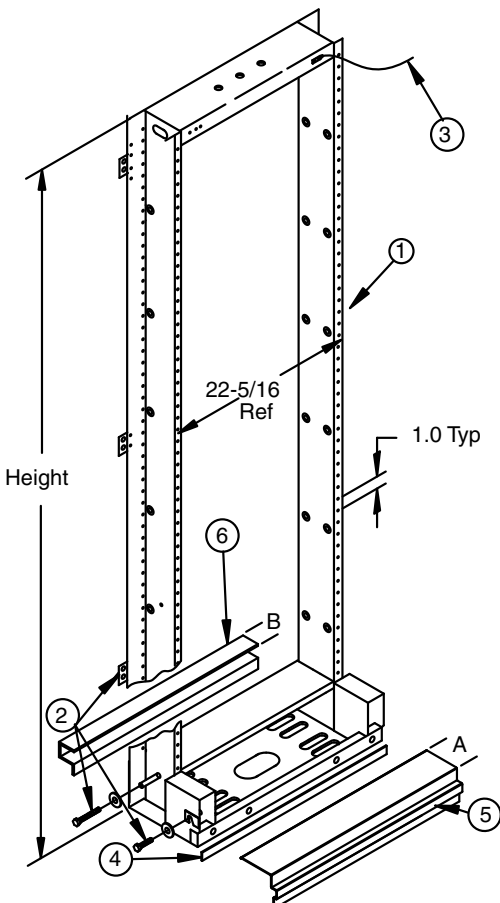
C4

Notes:

- XX= finish code; standard finish, xx = 6 others available upon request.

NETWORK BAY KIT, 23" X 1" OPEN

Modified:10/08/2009



	Part Number	Height	A	B
Ordering	00448701xx	7'-0"	5"	2"
	00448702xx	7'-6"	5"	2"
	00448703xx	8'-0"	5"	2"
	00448704xx	9'-0"	5"	2"
	00448705xx	11'-6"	5"	2"
	00448706xx	11'-8"	5"	2"
	00448707xx	7'-0"	6"	1"
	00448708xx	7'-6"	6"	1"
	00448709xx	8'-0"	6"	1"
	00448710xx	9'-0"	6"	1"
	00448711xx	11'-6"	6"	1"
	00448712xx	11'-8"	6"	1"

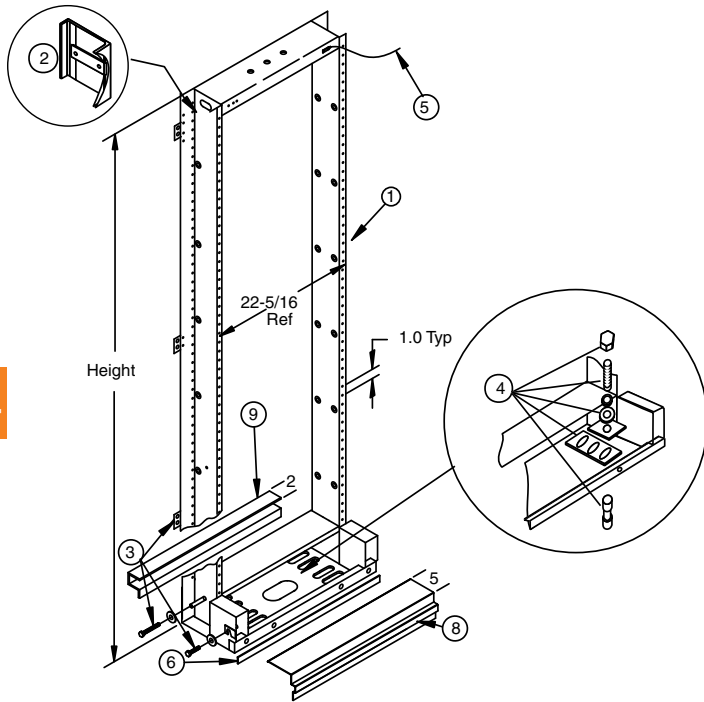
	Item	Qty.	Description
Stock List	1	1	netbay
	2	1	rack junction kit
	3	1	green ground strap kit
	4	1	guard rail dust flashing
	5	1	front guard
	6	1	rear guard rail

Notes:

- XX= finish code; standard finish, xx = 6 others available upon request.

NETWORK BAY KIT 23" X 1" OPEN

Modified:01/21/2019



	Part Number	Height
Ordering	00448801xx	7'-0"
	00448802xx	7'-6"
	00448803xx	8'-0"
	00448804xx	9'-0"

	Item	Qty.	Description
Stock List	1	1	netbay
	2	1	cable tie bar kit
	3	1	rack junction kit
	4	1	floor mounting kit
	5	1	green ground strap kit
	6	1	guard rail dust flashing
	7	1	front guard
	8	1	rear guard rail

Notes:

- XX= finish code; standard finish, xx = 6 others available upon request.

C4

SEISMIC NETBAY KIT, 7' X 23" CLOSED

Modified:11/16/2010

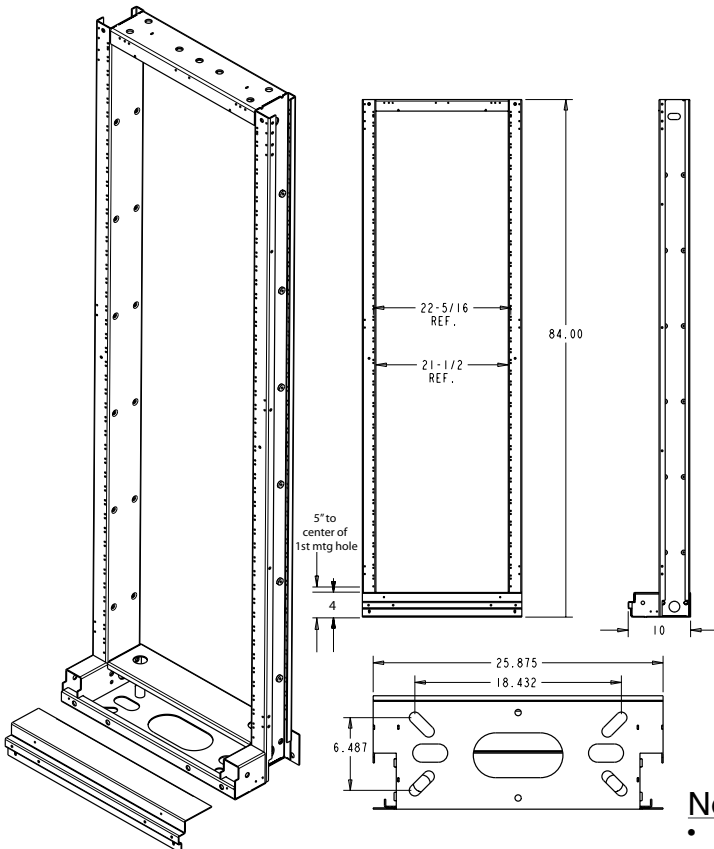
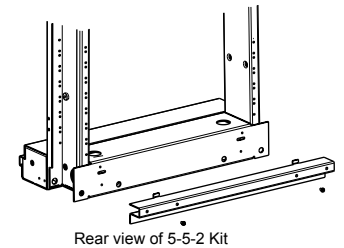
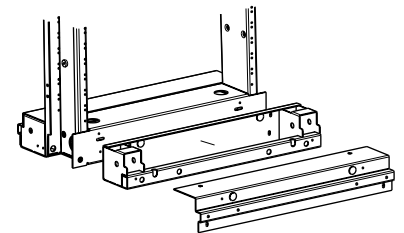


	Figure #	foot print	hole pattern
Ordering Number	21774000xx	5-5	1-3/4"
	21781300xx	5-5-2	1-3/4"
	21781400xx	5-5-5	1-3/4"
	22013600xx	5-5	1"
	21808701xx	5-5-2	1"
	21808700xx	5-5-5	1"



Rear view of 5-5-2 Kit



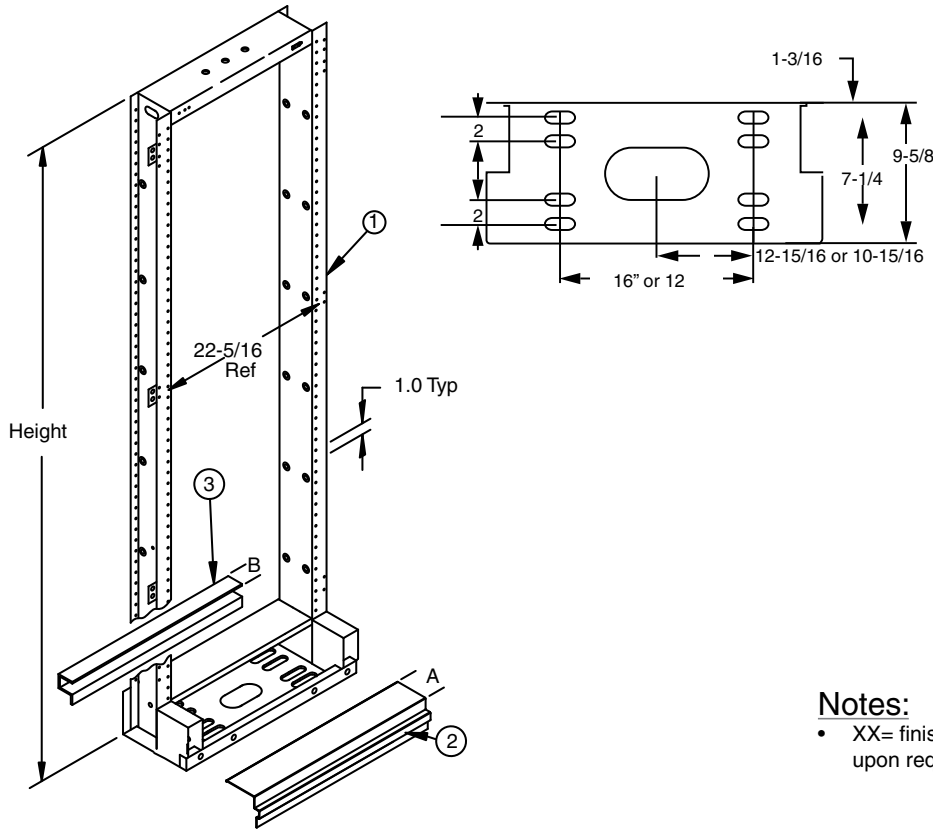
Rear view of 5-5-5 Kit

Notes

- Other configurations available, call your CSR
- **Contains Cable Tie Bar kit**

NETWORK BAY KIT, 23" X 1" CLOSED

Modified:10/16/2009



	Part Number	Height	A	B
Ordering	00448101xx	7'-0"	5"	2"
	00448102xx	7'-6"	5"	2"
	00448103xx	8'-0"	5"	2"
	00448104xx	9'-0"	5"	2"
	00448105xx	11'-6"	5"	2"
	00448106xx	11'-8"	5"	2"
	00448107xx	7'-0"	6"	1"
	00448108xx	7'-6"	6"	1"
	00448109xx	8'-0"	6"	1"
	00448110xx	9'-0"	6"	1"
	00448111xx	11'-6"	6"	1"
	00448112xx	11'-8"	6"	1"

C4

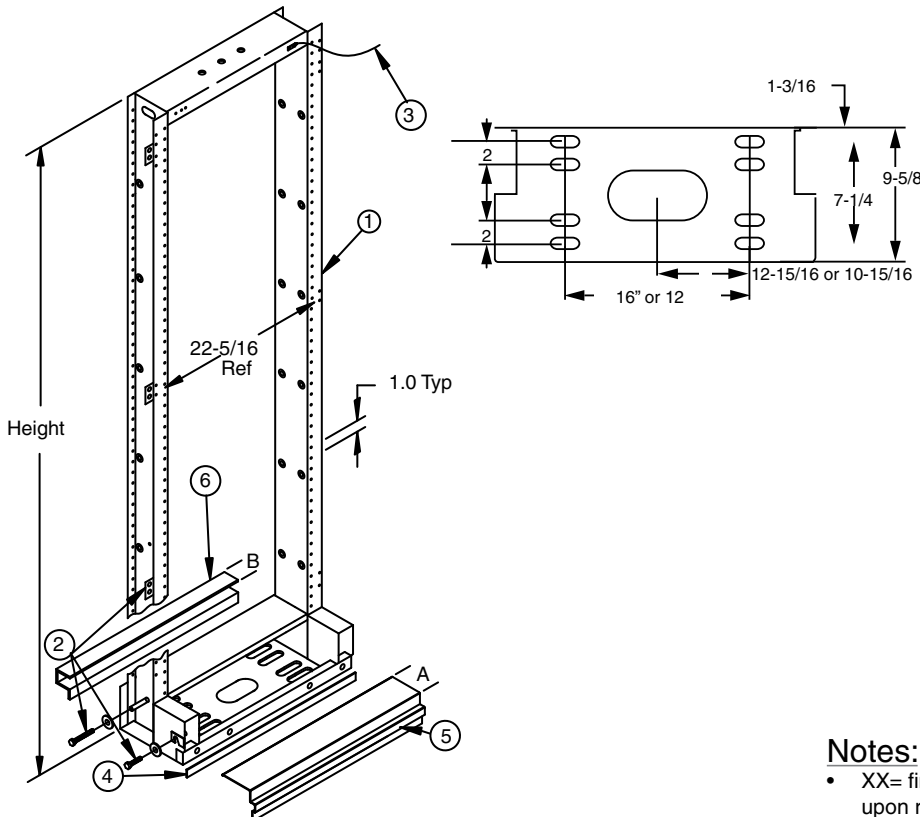
	Item	Qty.	Description
Stock List	1	1	netbay
	2	1	front guard
	3	1	rear guard rail

Notes:

- XX= finish code; standard finish, xx = 64, others available upon request.

NETWORK BAY KIT, 23" X 1" CLOSED

Modified:01/21/2019



	Part Number	Height	A	B
Ordering	00448201xx	7'-0"	5"	2"
	00448202xx	7'-6"	5"	2"
	00448203xx	8'-0"	5"	2"
	00448204xx	9'-0"	5"	2"
	00448207xx	7'-0"	6"	1"
	00448208xx	7'-6"	6"	1"
	00448209xx	8'-0"	6"	1"
	00448210xx	9'-0"	6"	1"

	Item	Qty.	Description
Stock List	1	1	netbay
	2	1	rack junction kit
	3	1	green ground strap kit
	4	1	guard rail dust flashing
	5	1	front guard
	6	1	rear guard rail

Notes:

- XX= finish code; standard finish, xx = 64, others available upon request.