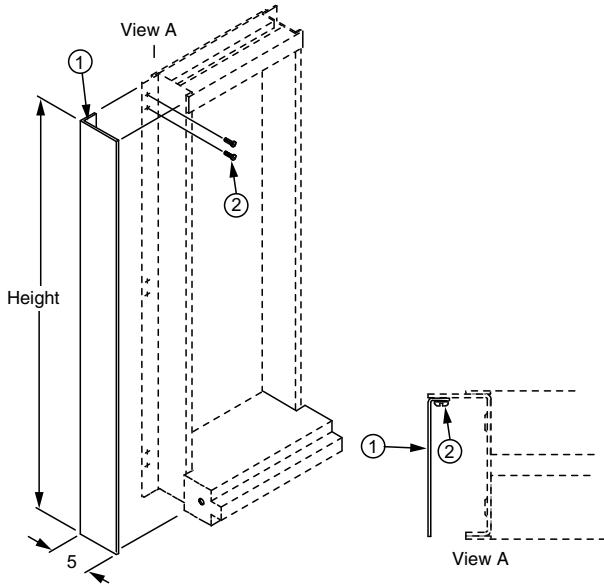


END SHIELD, 5"

Modified:06/11/2013



	part number	height	stock list
Ordering Table	00433901 XX	7'-0"	1
	00433902 XX	7'-6"	2
	00433903 XX	8'-0"	3
	00433904 XX	9'-0"	4
	00433905 XX	11'-6"	5

	Item	qty	Description
Stock List	1	1	End Shield
	4	6	12-24 x 1/4" PHMS

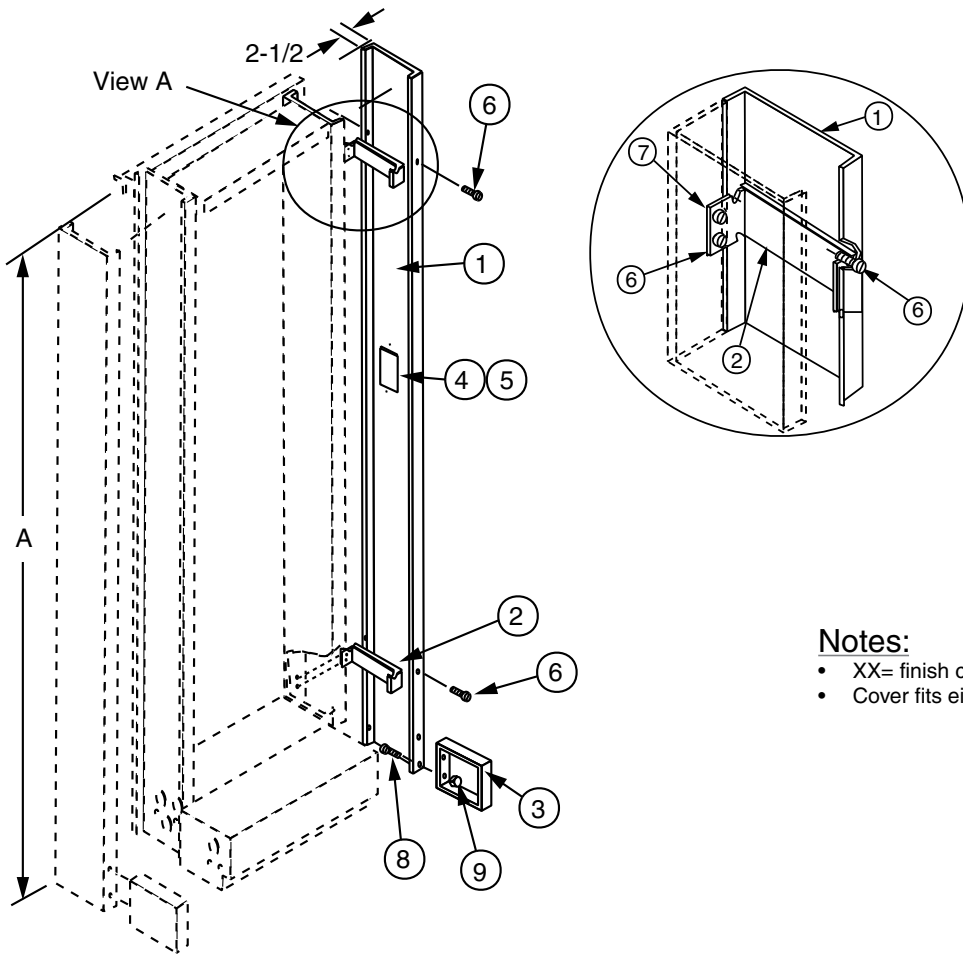
Notes:

- XX= finish code; standard finish, XX= 31.
- End shield fits either side of rack.

C6

END COVER FOR OPEN OR CLOSED DUCT UNEQUAL FLANGE RACK

Modified:09/22/2009



	part number	A
Ordering Table	00410801 XX	7'-0"
	00410802 XX	7'-6"
	00410803 XX	8'-0"
	00410804 XX	9'-0"
	00410805 XX	11'-6"
	00410806 XX	11'-8"

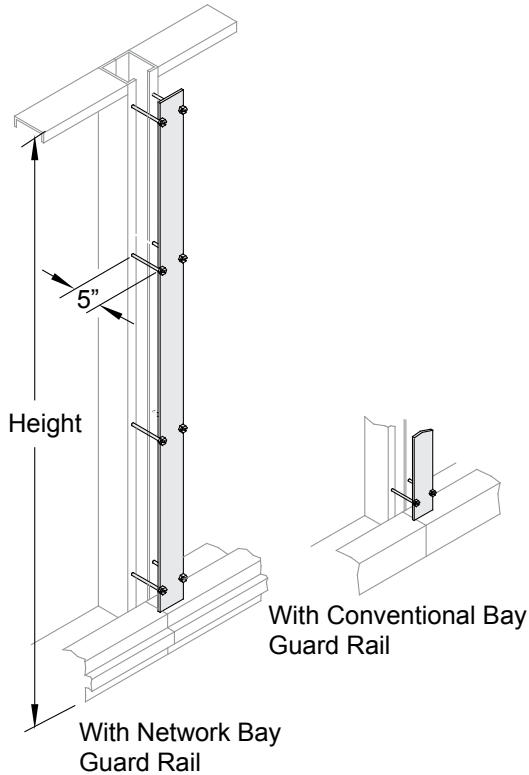
	Item	Qty	Description
Stock List	1	1	end cover
	2	ar	junction plate
	3	1	guard rail end cover
	4	1	cover plate
	5	ar	12-24 x 1/4 phms
	6	2	8-32 hex nut
	7	2	8-32 x 3/8" rhms

Notes:

- XX= finish code; standard finish, XX= 31.
- Cover fits either end of rack. Order one per end to be covered.

DUCT COVER

Modified:09/22/2009



C6

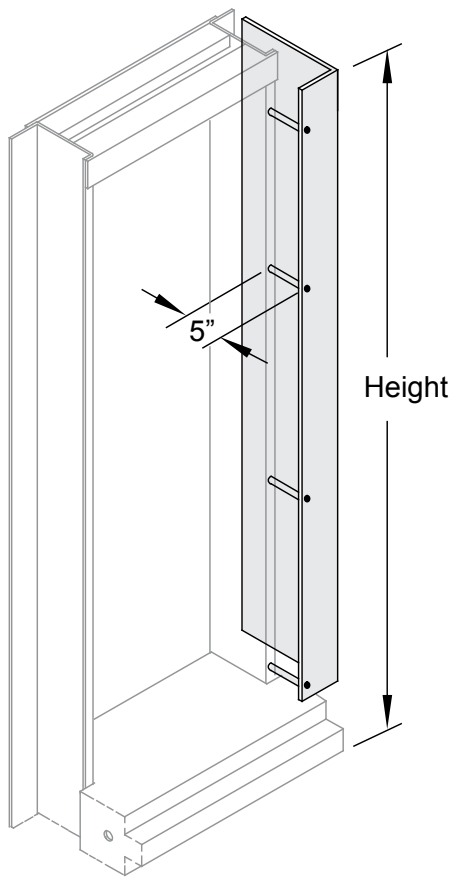
	part number	height	duct cover description
Ordering Table	00433701 XX	7'-0"	conventional bay
	00433702 XX	7'-0"	network bay
	00433703 XX	7'-6"	conventional bay
	00433704 XX	7'-6"	network bay
	00433705 XX	8'-0"	conventional bay
	00433706 XX	8'-0"	network bay
	00433707 XX	9'-0"	conventional bay
	00433708 XX	9'-0"	network bay

	Item	Qty	Description
Stock List	1	1	rear guard rail
	2	2	12-24 x 3/8"

- Notes:**
- XX= finish code; standard finish, XX= 31.
 - Cover mounts to racks with 1" or 1-3/4" mounting spaces.

DUCT COVER FOR END OF LINE-UP

Modified:09/22/2009



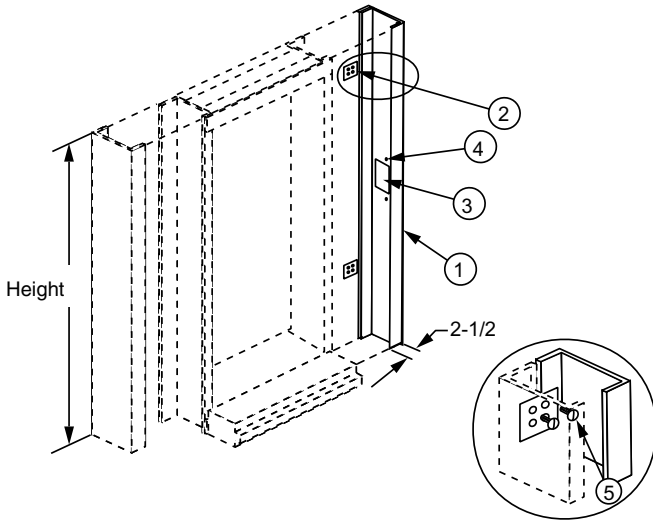
	part number	height	end cover description
Ordering Table	00433801 XX	7'-0"	conventional bay
	00433802 XX	7'-6"	conventional bay
	00433803 XX	8'-0"	conventional bay
	00433804 XX	9'-0"	conventional bay

	Item	Qty	Description
Stock List	1	1	end duct cover
	2	4	standoff
	3	4	12-24 x 3/8"

- Notes:**
- XX= finish code; standard finish, XX= 31.
 - Cover mounts to racks with 1" or 1-3/4" mounting spaces.
 - 3. Same parts fit either side of rack.

END GUARD COVER ASSEMBLY, FIXED TYPE (NETWORK BAY)

Modified:09/22/2009



	part number	A
Ordering	00433301xx	7'-0"
	00433302xx	7'-6"
	00433303xx	8'-0"
	00433304xx	9'-0"
	00433305xx	11'-6"

	Item	Qty	Description
Stock List	1	1	end cover
	2	ar	junction plate
	3	1	cover plate
	4	2	#8 x 3/8" sms
	5	ar	12-24 x 1/4" phms

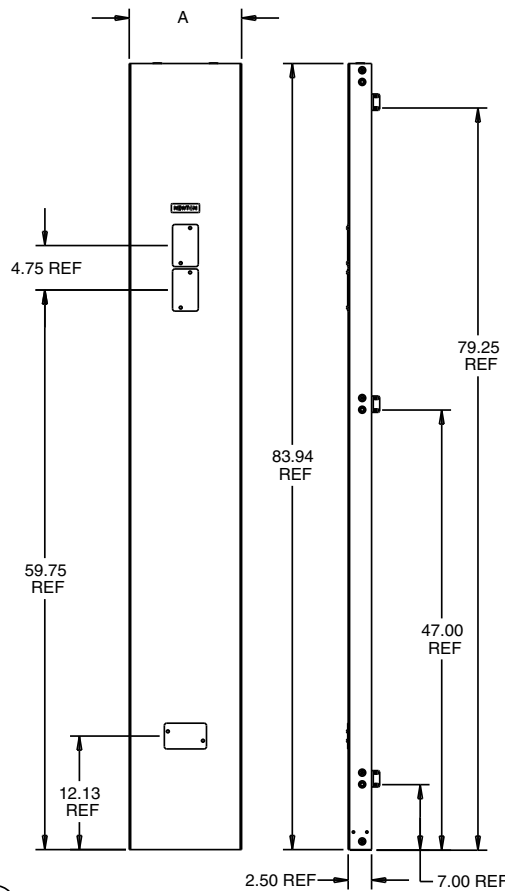
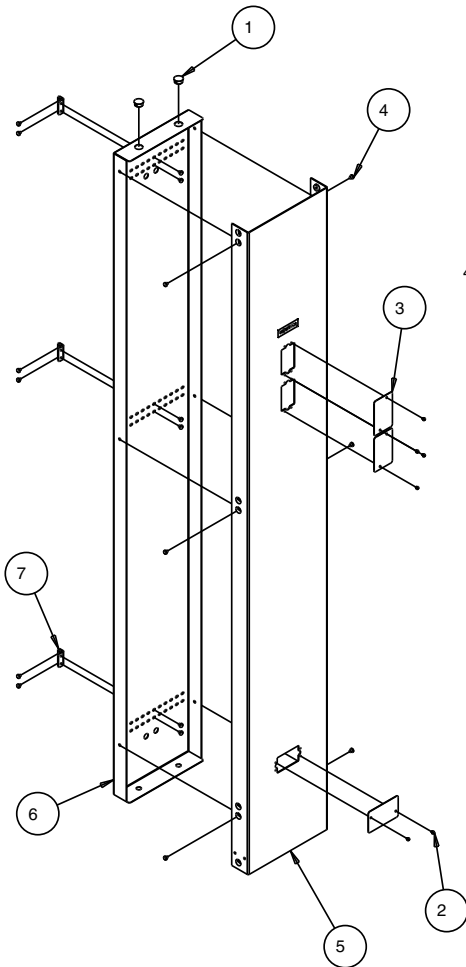
Notes:

- Xx= finish code; standard finish, xx= 31.

C6

UNIVERSAL END GUARD

Sales Sheet Modified:09/18/2017



Ordering Table

Part Number	A
22303501xx	12"
22303511xx	15"

Stock List

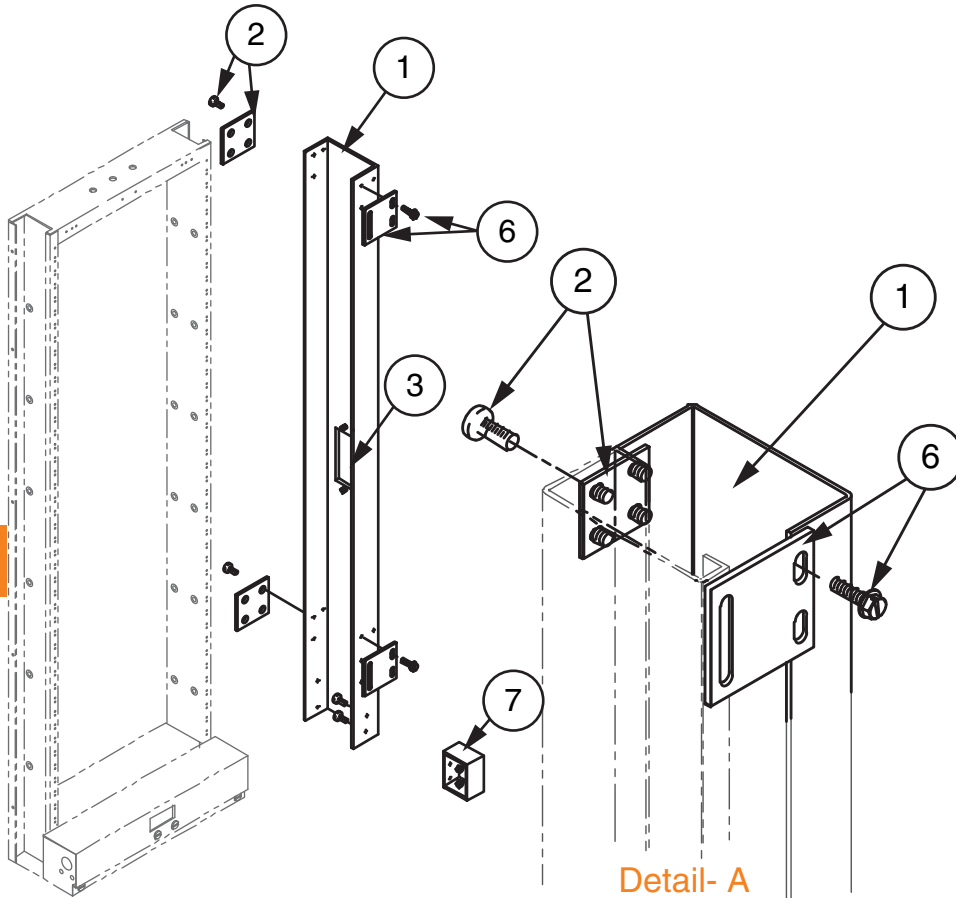
Item	QTY	Description
1	2	Hole Plug
2	6	8-32 X 3/16 RHMS
3	3	Outlet Cover
4	18	12-24 X 1/4 PHMS
5	1	End Cover
6	1	Universal End Cover Box
7	3	End Guard "L" Bracket

Notes:

- Universal End Gurad is designed to be mounted to any standard :
 - » Unequal Flange Rack and Network Bay
 - » 3" channels rack.
 - » spacer kit
 - » vertical cable management

SEISMIC UFER END GUARD COVER ASSEMBLY (BOLT ON)

Sales Sheet Modified:10/18/2018



Ordering Table

Part Number	A
00461701xx	7'-0"
00461702xx	7'-6"
00461703xx	8'-0"
00461704xx	9'-0"
00461705xx	11'-6"
00461706xx	11'-8"

Stock List

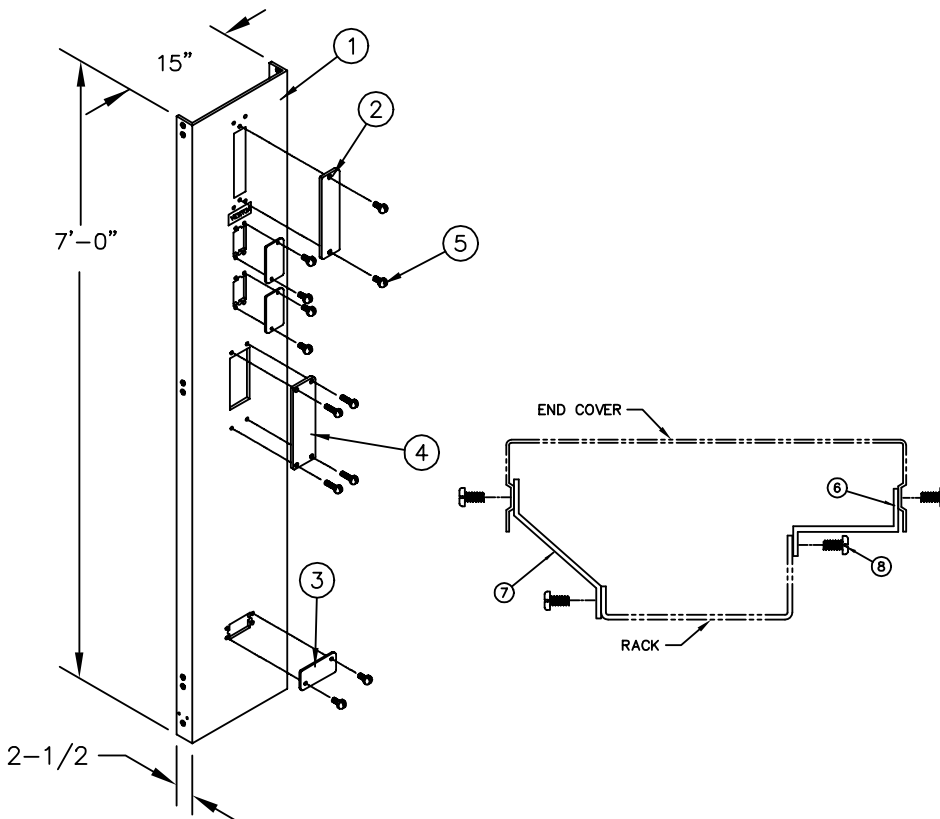
Item	QTY	Description
1	1	End Cover
2	2	Junction Plate Kit
3	1	Cover Plate
4	2	8-32 X 3/8" RHMS
5	AR	12-24 X 1/4" PHMS
6	2	Mounting Bracket Kit
7	1	End Cover Box
8	2	8-32 Hex Nut

Notes:

- XX = finish code; standard finish, xx = 31.
- For use with 004600 series, UFER version of 004900 and 008000 series racks.
- When used with a Network Bay, Item 7 is discarded.

15" END GUARD COVER ASSEMBLY 7'-0"

Modified:09/28/2009

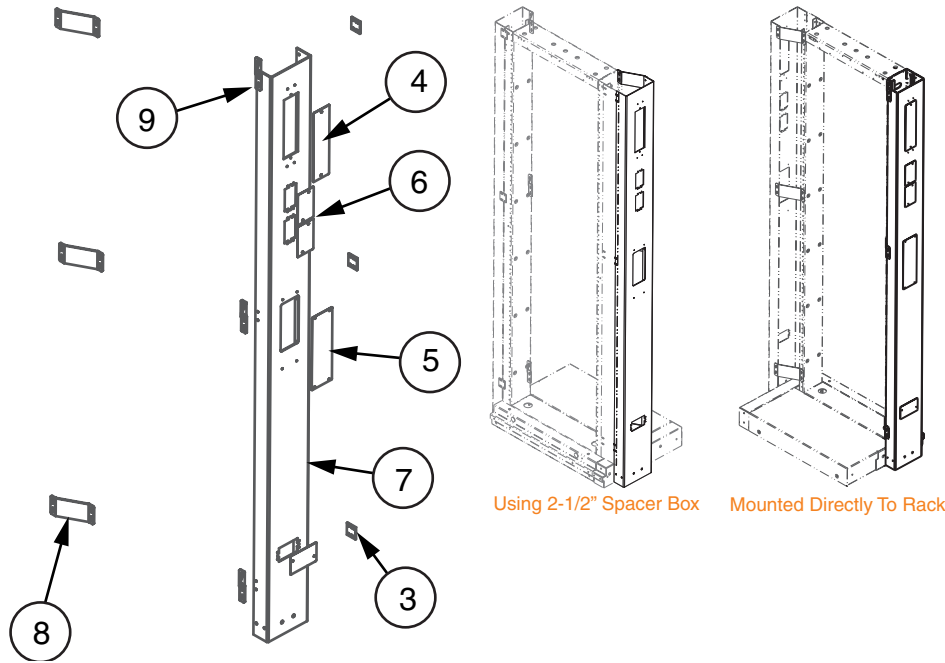


part number	
Ordering Table	21430501xx

Item	Qty	Description
1	1	end cover
2	1	end cover plate
3	3	outlet cover
4	1	cover plate
5	12	8-32 xx 3/16 rhms
6	3	front bracket
7	3	rear bracket
8	24	12-24 x 1/4 phms

END GUARD COVER ASSEMBLY - 7' X 2-1/2"

Modified:06/12/2014



Ordering Table

Part Number

21902901xx

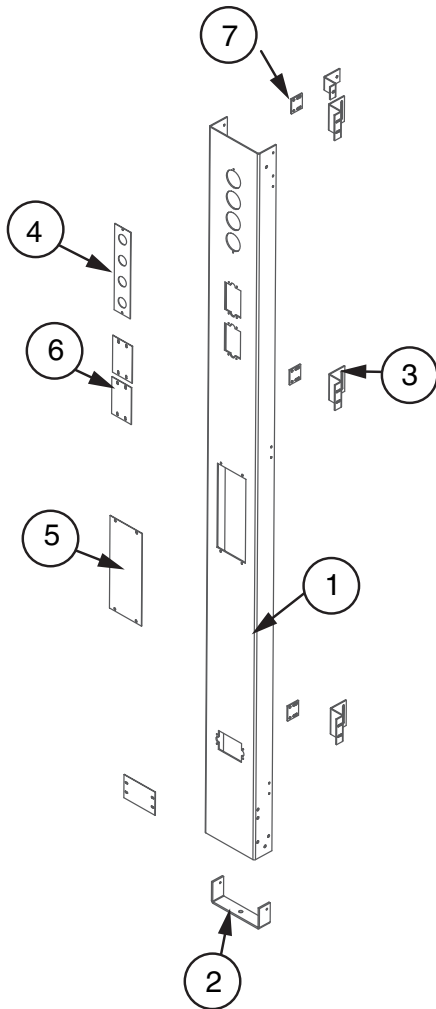
Stock List

Item	QTY	Description
1	ar	8-32 X 3/16 RHMS
2	ar	12-24 X 1/4 PHMS
3	3	Junction Plate
4	1	End Cover Plate
5	1	End Cover Plate
6	3	End Cover Plate
7	1	7'-0" Network Bay End Cover
8	3	End Cover Mounting Bracket
9	3	End Cover Mounting Bracket

C6

END GUARD COVER FOR NETBAY - 7" X 2-1/2"

Modified:10/06/2014



Ordering Table

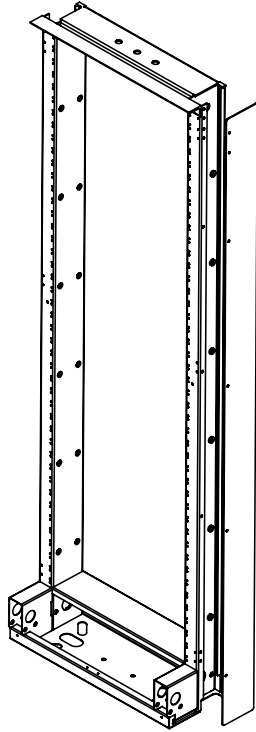
Part Number	Height
21665201xx	7'
21665204xx	9'
21665205xx	11'-6"

Stock List

Item	QTY	Description
1	1	Cover
2	1	Mounting Brackets
3	ar	Z-Brackets
4	1	Panel With Knockouts
5	1	Blank Panel
6	3	Duplex Covers
7	1	Hardware Kit

END SHIELD KIT FOR SEISMIC UFER OR SEISMIC NETWORK BAY

Modified:06/25/2012



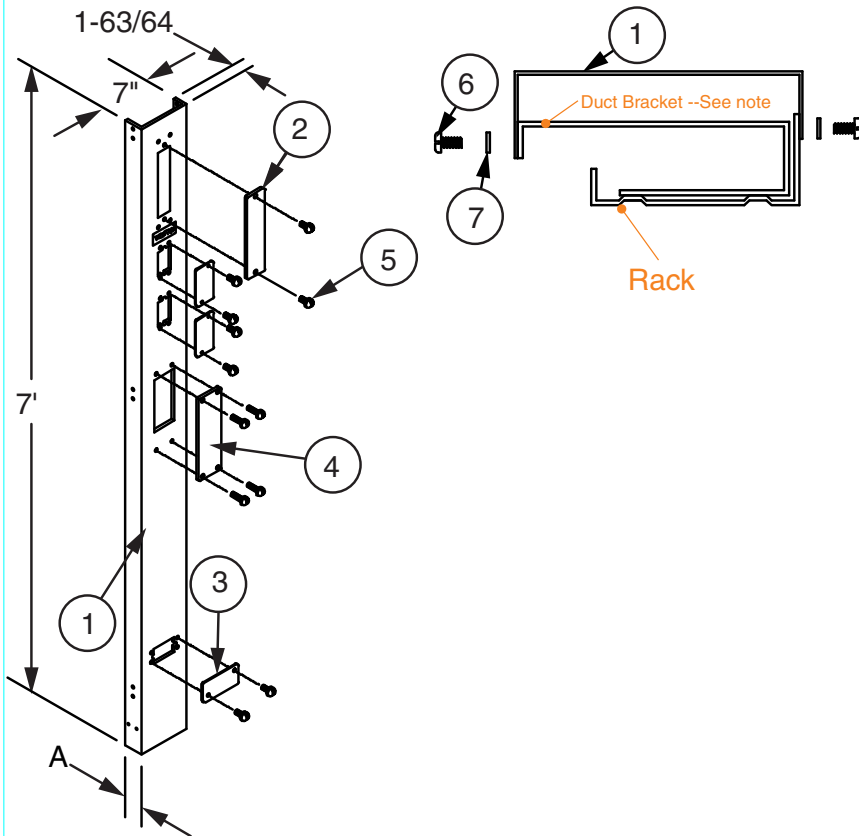
	part number	height
Ordering	21935201xx	7'-0"
	21935204xx	9'-0"
	21935205xx	11'-6"

	Item	Qty	Description
Stock List	1	ar	1/4-20 x 1/2 phms
	2	ar	1/4-20 kep nut
	3	1	Seismic UFER end shield

C6

LGX END COVER ASSEMBLY, 7'-0"

Modified:06/12/2014



Ordering Table

Part Number	Hole Spacing	A
00447301xx	left end	2-1/2"
00447302xx	right end	2-1/2"

Stock List

Item	QTY	Description
1	1	End Guard, 7'-0"
2	1	End Cover Plate
3	1	End Cover Plate
4	3	Outlet Cover
5	12	8-32 X 3/16" Rhms
6	12	12-24 X 1/4" Phms
7	12	Flat Washer

Note:

- Duct Bracket not included, refer to part 22217400xx or is included in LGX Rack Kits
- For similar End Cover , refer to 216652xxxx.