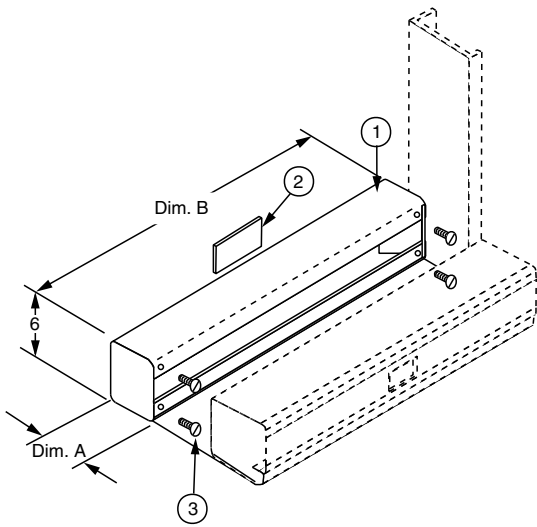


REAR GUARD RAIL WITH APPLIANCE OUTLET CUTOUT - UFER

Modified:09/29/2010



	part number	A	B
Ordering Table	00410401 XX	1"	21-15/16"
	00410402 XX	2"	21-15/16"
	00410403 XX	5"	21-15/16"
	00410404 XX	8"	21-15/16"
	00410501 XX	1"	25-15/16"
	00410502 XX	2"	25-15/16"
	00410503 XX	5"	25-15/16"
	00410504 XX	8"	25-15/16"
	00410520XX	20"	25-15/16"

	Item	Qty	Description
Stock List	1	1	guard rail
	2	1	outlet cover
	3	4	8-32 x 1/2" phms

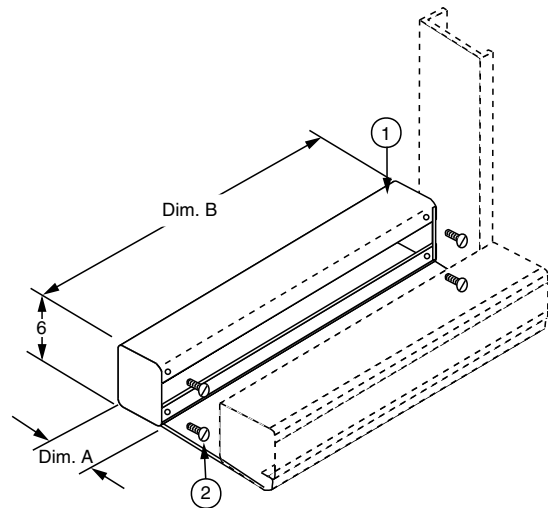
Notes:

- XX= finish code; standard finish, XX= 31.

C7

REAR GUARD RAIL WITHOUT APPLIANCE OUTLET CUTOUT - UFER

Modified:10/01/2009



	part number	A	B
Ordering Table	00410601 XX	1"	21-15/16"
	00410602 XX	2"	21-15/16"
	00410603 XX	5"	21-15/16"
	00410604 XX	8"	21-15/16"
	00410701 XX	1"	25-15/16"
	00410702 XX	2"	25-15/16"
	00410703 XX	5"	25-15/16"
	00410704 XX	8"	25-15/16"

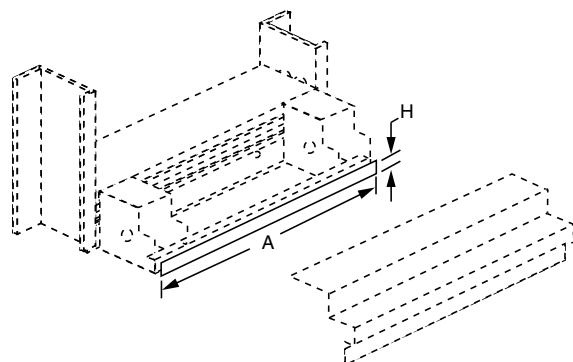
	Item	Qty	Description
Stock List	1	1	guard rail
	2	4	8-32 x 1/2" phms

Notes:

- XX= finish code; standard finish, XX= 31.

GUARD RAIL DUST FLASHING - NETWORK BAY

Modified:03/08/2010



	part number	description	A
Ordering Table	0043570164	flashing - blue	26"
	0043570231	flashing - gray	26"
	0043570364	flashing - blue	31"
	0043570431	flashing - gray	31"
	0043570564	flashing - blue	48"
	0043570631	flashing - gray	48"
	0043570731	flashing - gray	60"

Notes:

- 7/8" Height (h) x 1/16" thick. Width (dim a) as noted. Installer cuts off excess, if any.
- Material is rated ul 94 v-1 and has an oxygen index rating greater than 29.

REAR GUARD RAIL FOR NETWORK BAY

Modified:09/22/2009

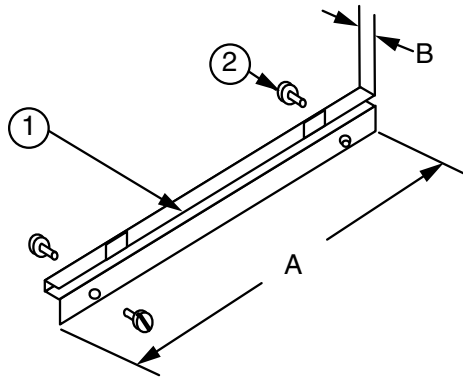


	Figure #	A	B
Ordering Number	00442101xx	25-7/8"	1"
	00442102xx	25-7/8"	2"
	00442103xx	21-7/8"	1"
	00442104xx	21-7/8"	2"

	Item	Qty	Description
Stock List	1	1	Guard rail
	2	2	12-24 x 3/8" phms

Notes:

- XX= finish code; standard finish, xx= 64
- For use with 004700, NWB version of the 004900 and 008000 Series racks.

REAR GUARD FOR NETWORK BAY

Modified:06/15/2010

C7

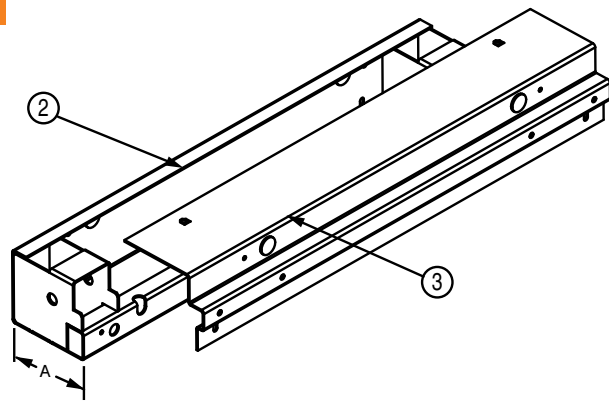


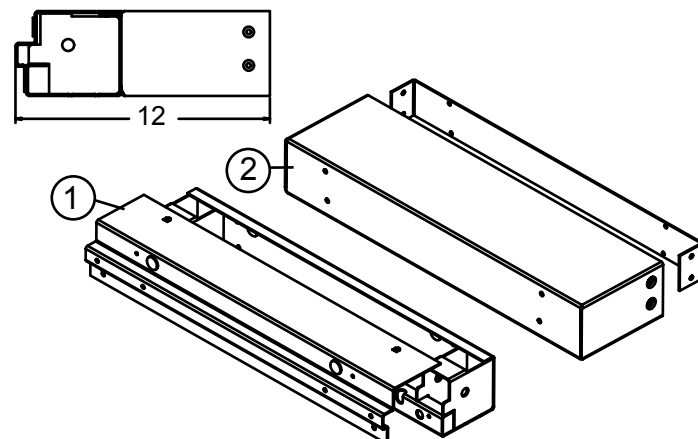
	Figure #	A	Rack Width
Ordering Number	21840600xx	5"	23"
	21840601xx	6"	23"
	21832400xx	8"	23"
	21840650xx	5"	19"
	21832401xx	9"	23"
	21904301xx	7"	23"

	Item	Qty	Description
Stock List	1	ar	12-24 x 3/8" hhms tri-lobe
	2	1	rear guard rail weldment
	3	1	netbay rear guard rail cover

Notes:

- XX= finish code; standard finish, xx= 64
- For use with ufer version of the 004900 series racks.

NETBAY REAR GUARD RAIL KIT

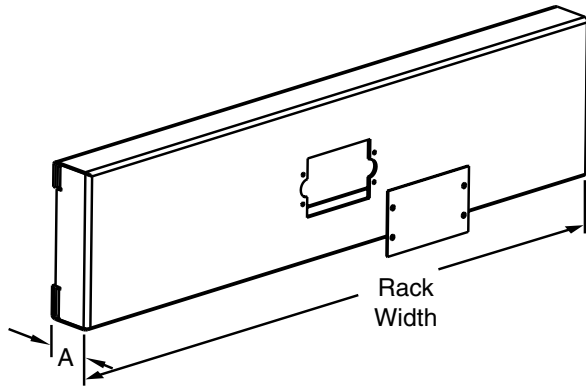


	part number	rack size
Ordering Table	21904303xx	23"

	Item	Qty	Description
Stock List	1	1	5" rear guard rail
	2	1	7" rear box kit

REAR GUARD RAIL FOR NGN ONLY

Modified:09/22/2009



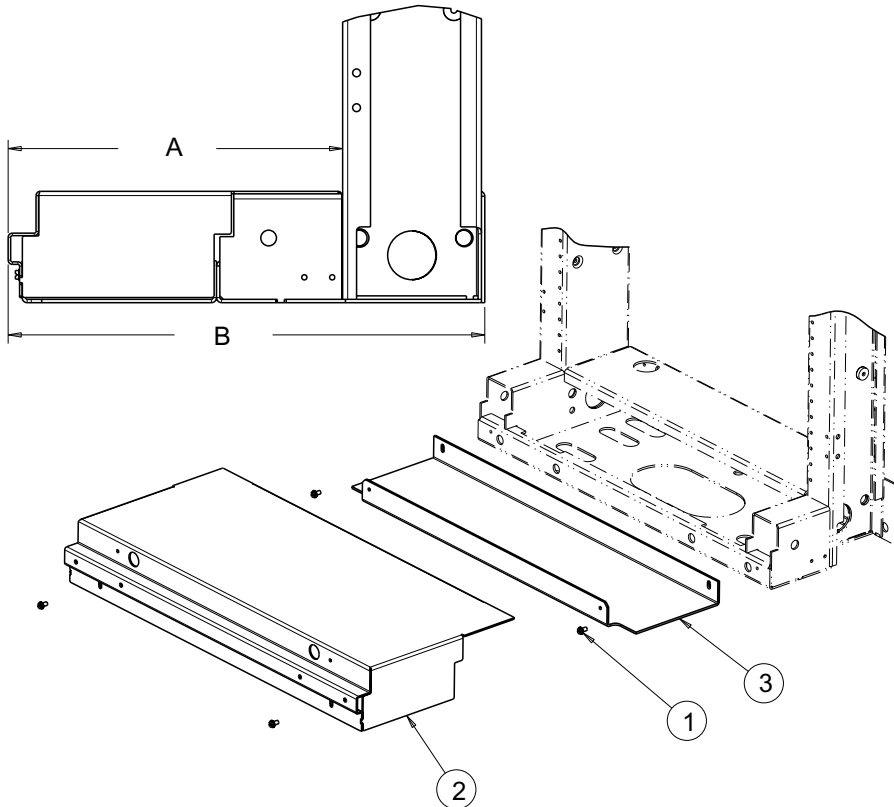
Ordering Number	Figure #	A	Rack Width
	21317701xx	1"	23"
	21317702xx	2"	23"
	21317705xx	5"	23"
	21317715xx	5"	19"

Notes:

- XX= finish code; standard finish, xx= 64
- For use with ufer version of the 004900 series racks.

NETWORK BAY FRONT COVER KIT, 23"

Modified:10/08/2009

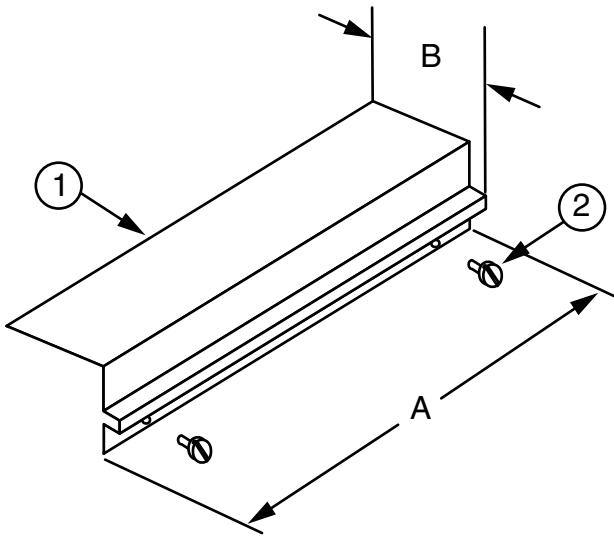


Ordering Table	Part Number	A	B
	22025001xx	8"	13"
	22025003xx	10"	15"
	22025004xx	12"	17"

Stock List	Item	Qty	Description
	1	4	12-24 X 1/2" Tri-lobe
	2	1	Netbay Front Cover
	3	1	Netbay Base Extension

FRONT GUARD RAIL COVER NETWORK BAY

Modified:10/01/2009



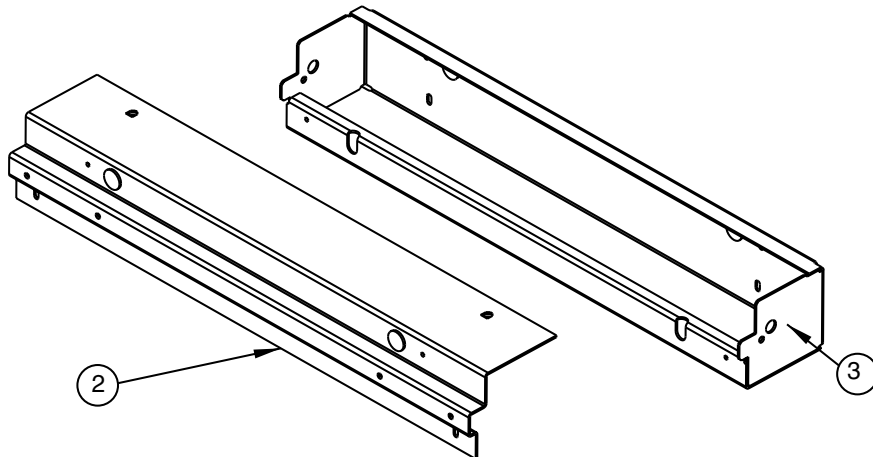
	part number	A	B
Ordering	00442001xx	25-7/8"	5"
	00442002xx	25-7/8"	6"
	00442003xx	21-7/8"	5"
	00442004xx	21-7/8"	6"

	Item	Qty	Description
Stock List	1	1	front guard rail
	2	2	12-24 x 3/8" phms

NETBAY GUARD RAIL KIT

Modified:02/05/2010

C7

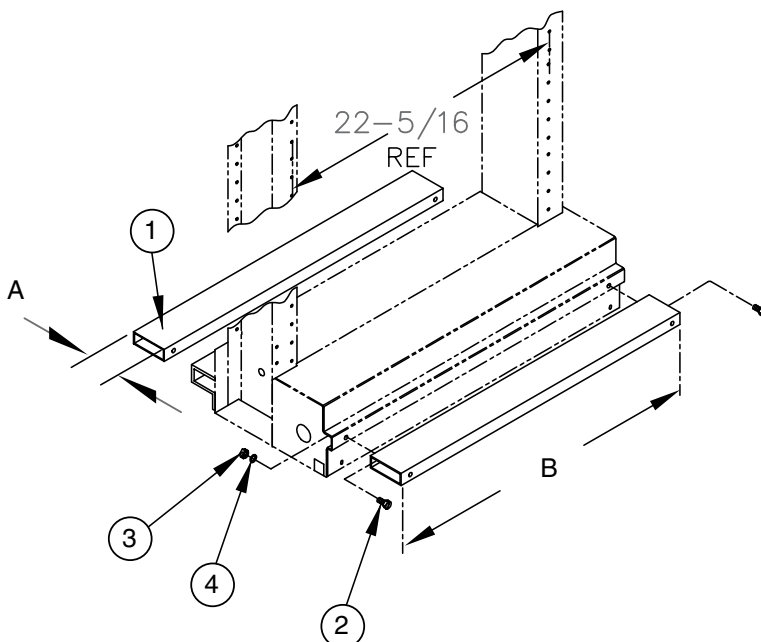


	part number	depth	rack
Ordering	21903104xx	5"	23"
	21903105xx	5"	19"
	21904301xx	7"	23"

	Item	Qty	Description
Stock List	1	ar	1/2"-13 x 3/8" tri-lobe
	2	1	front guard rail for netbay
	3	1	netbay cover wrapper

GUARD RAIL EXTENDER FOR NETWORK BAY

Modified:06/27/2012



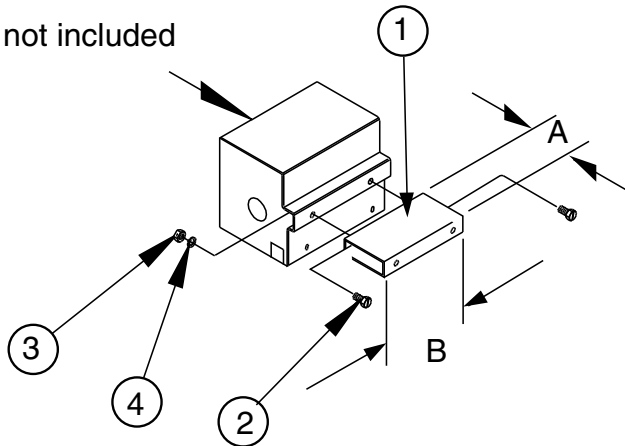
	part number	A	B
Ordering Table	00442401xx	1"	25-7/8"
	00442402xx	2"	25-7/8"
	00442403xx	3"	25-7/8"
	21886501xx	1"	21-7/8"
	21886502xx	2"	21-7/8"
	21886503xx	3"	21-7/8"

	Item	Qty	Description
Stock List	1	1	extender
	2	2	12-24 x 1/2" shhms
	3	2	12-24 hex nut
	4	2	#12 washer external tooth

GUARD RAIL EXTENSION

Modified:05/06/2020

Spacer box not included

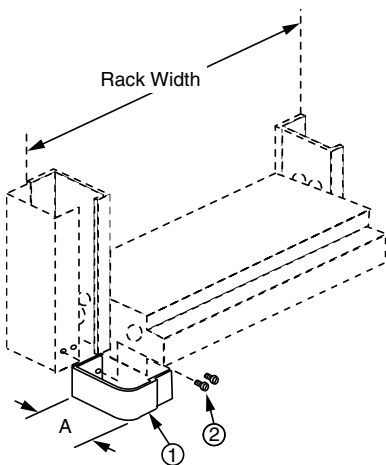


Ordering Table	Part Number	A	B
	21952801xx	1"	5"
	21952802xx	2"	5"
	21952803xx	3"	5"
	21952810xx	3"	10"
	21952806xx	3"	6"
	21952701xx	1"	2.5"
	21952702xx	2"	2.5"
	21952703xx	3"	2.5"
21952704xx	1"	10"	

Stock List	Item	Qty	Description
	1	1	Guard rail extension
	2	2	12-24 x 1/2" tri-lobe
	3	2	12-24 hex nut
	4	2	#12 external tooth lockwasher

FRONT BUMPER, END GUARD - NETBAY

Modified:11/04/2009



Ordering	part number	A
	00433501xx	5"
	00433502xx	6"
	00433503xx	3"
	00433504xx	4"

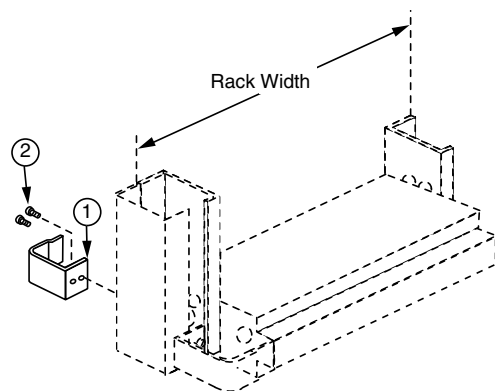
Stock List	Item	Qty	Description
	1	1	bumper
	2	2	8-32 x 3/8" shhms

Notes:

- Xx= finish code; standard finish, xx= 31.
- Used with the universal unequal flange equipment rack when the network bay configuration is required.

REAR BUMPER, END GUARD - NETBAY

Modified:10/08/2009



Ordering	part number	A
	00433601xx	1"
	00433602xx	2"

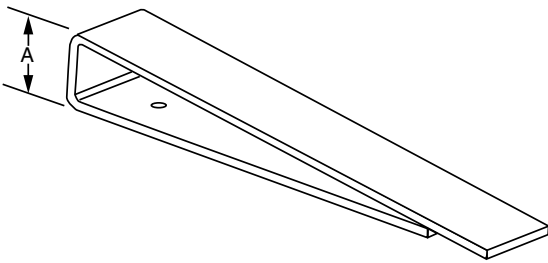
Stock List	Item	Qty	Description
	1	1	bumper
	2	ar	8-32 x 3/8" shhms

Notes:

- Xx= finish code; standard finish, xx= 31.
- Used with the universal unequal flange equipment rack when the network bay configuration is required.

GUARD RAIL ADAPTER

Sales Sheet Modified:01/29/2016



Ordering Table

Part Number	A	Rack
21652901xx	1"	Netbay
21652902xx	2"	Netbay
21652903xx	3"	Netbay
21652904xx	4"	Netbay
21652905xx	1"	UFER
21652906xx	2"	UFER
21652907xx	3"	UFER
21652911xx	7"	Netbay
21652915xx	5"	Netbay
21652916xx	6"	Netbay
21652918xx	8"	Netbay

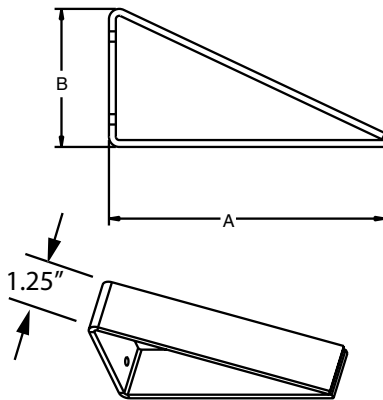
Stock List

Item	QTY	Description
1	2	12-24 x 1/2 Self Tapping Screw
2	1	Adapter

C7

BUMPER GUARD KIT FOR NETWORK BAY

Modified:09/02/2020



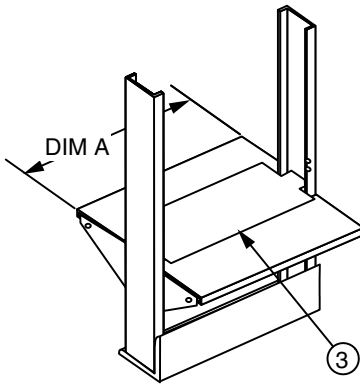
Notes:

- XX= finish code; standard finish, xx= 64.

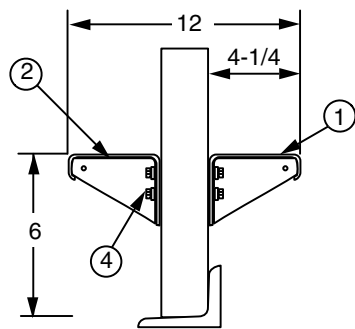
Ordering Number	Figure #	A	B
	21653201xx	6"	2-1/2"
21653202xx	5"	2-1/2"	
21653203xx	2"	2-1/2"	
21653204xx	3"	2-1/2"	
21653205xx	4"	2-1/2"	
21653206xx	1"	2-1/2"	
21653207xx	8"	2-1/2"	
21653208xx	10"	2-1/2"	
21653209xx	7"	2-1/2"	
21653210xx	9"	2-1/2"	
21653211xx	12"	2-1/2"	
21653214xx	14"	2-1/2"	

SHEET METAL GUARD RAILS FOR OVERHEAD SUPPORTED RACK

Modified:09/22/2009



	part number	A
Ordering Table	00402200xx	24-5/16"
	00402300xx	20-5/16"



	Item	Qty	Description
Stock List	1	1	front guard rail
	2	1	rear guard rail
	3	1	dust cover
	4	1	fastener for grd rails

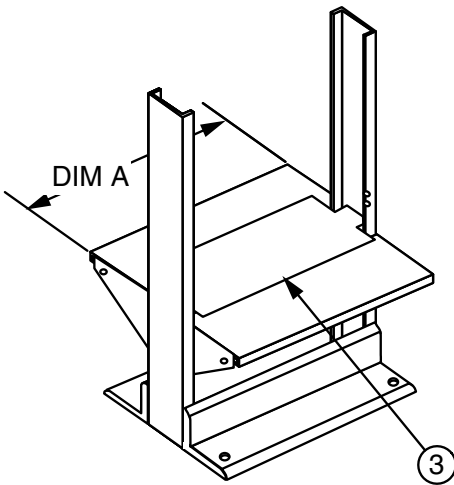
Notes:

- XX= finish code; standard finish, xx= 30.

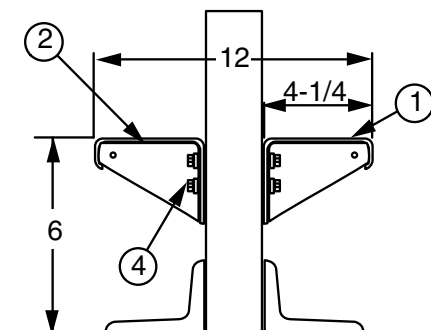
C7

SHEET METAL GUARD RAILS FOR FLOOR SUPPORTED RACK

Modified:09/22/2009



	part number	A
Ordering Table	00402400xx	20-5/16"
	00402500xx	24-5/16"



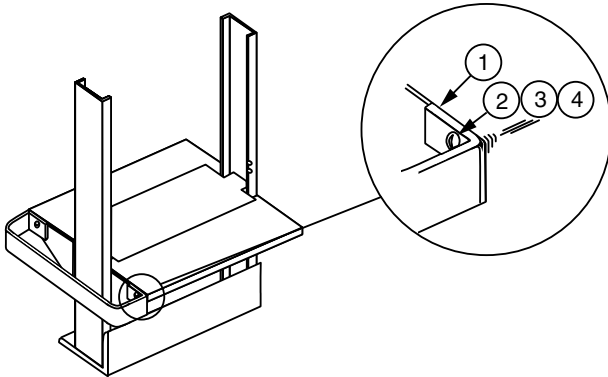
	Item	Qty	Description
Stock List	1	1	front guard rail
	2	1	rear guard rail
	3	1	dust cover
	4	1	fastener for sheet metal grd rails
	5	1	full overlap container

Notes:

- XX= finish code; standard finish, xx= 30.

END CLOSING DETAIL FOR SHEET METAL GUARD RAIL

Modified:09/22/2009



Part Number	
Ordering	00402000XX

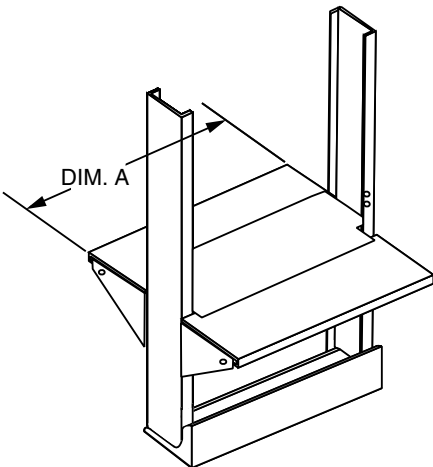
Stock List		
Item	Qty	Description
1	1	end closing detail
2	2	1/4" lock washer
3	2	1/4"-20 x 3/4" rhms
4	2	1/4"-20 nut

Notes:

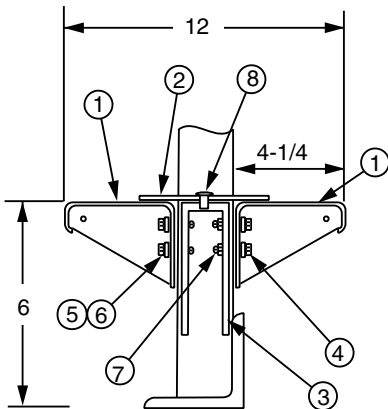
- XX= finish code; standard finish, xx= 30.

C7 STATIONARY ANGLE IRON GUARD RAILS FOR CABLING SECTION

Modified:09/22/2009



Ordering Table	
part number	A
00405300xx	6"
00405400xx	8"



Stock List		
Item	Qty	Description
1	2	guard rail
2	1	dust cover
3	2	guard rail bracket
4	4	3/8"-16 x 1" hhcs
5	4	3/8"-16 x 1/2" hhcs
6	8	3/8" flat washer
7	4	3/8"-16 hex nut
8	2	no. 6x1/4" sms

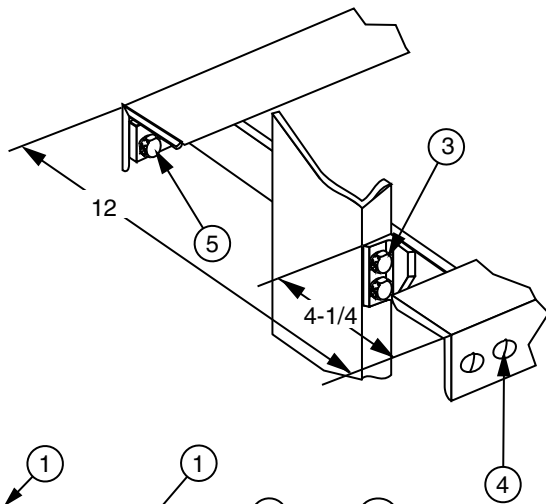
Notes:

- XX= finish code; standard finish, xx= 30.

12" WIDE ANGLE GUARD RAILS FOR RELAY RACK

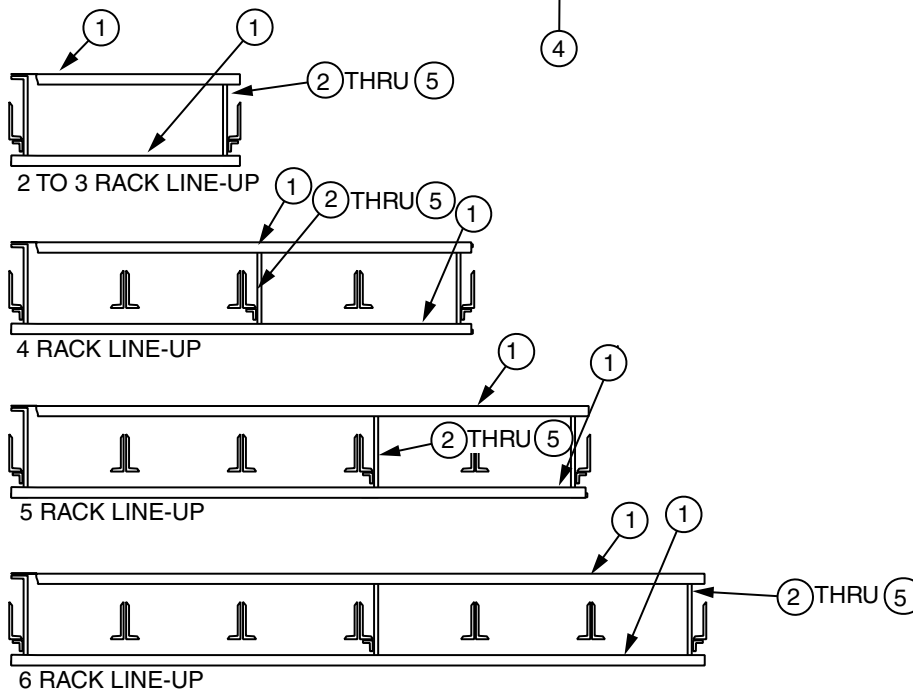
Modified:09/22/2009

	part number	guard rail detail for	rack width	stock list
Ordering Table	00404501xx	line-up of 2	19"	1
	00404502xx	line-up of 3	19"	2
	00404503xx	line-up of 4	19"	3
	00404504xx	line-up of 5	19"	4
	00404505xx	line-up of 6	19"	5
	00404601xx	line-up of 2	23"	1
	00404602xx	line-up of 3	23"	2
	00404603xx	line-up of 4	23"	3
	00404604xx	line-up of 5	23"	4
	00404605xx	line-up of 6	23"	5



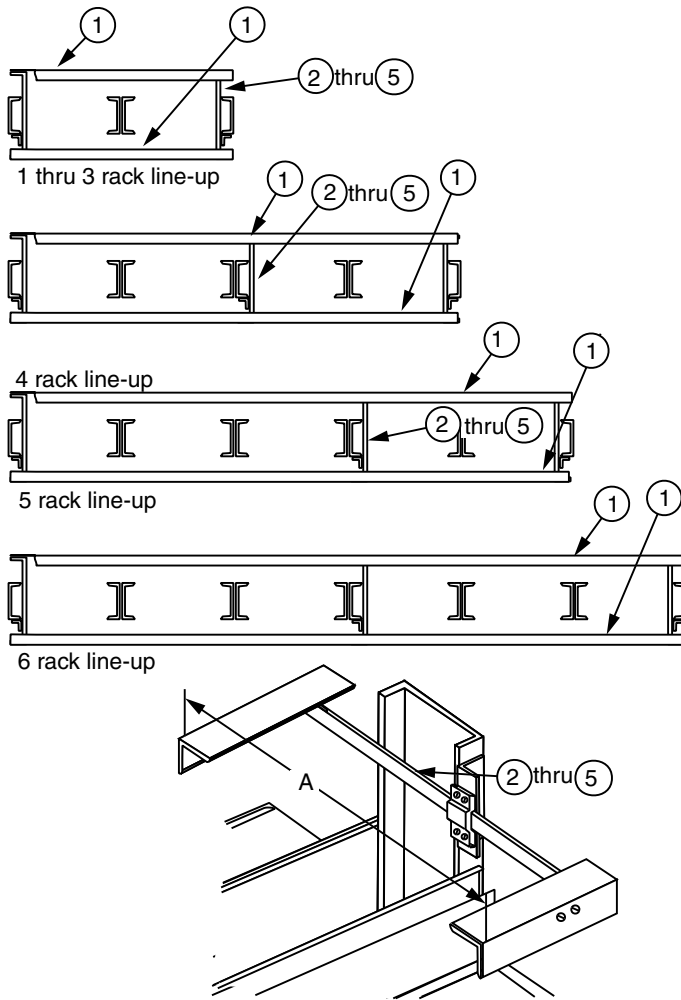
		Stock List						
	Item	Description	1	2	3	4	5	6
Stock List	1	front guard rail	1	1	1	1	1	1
	2	rear guard rail	1	1	1	1	1	1
	3	guard rail support	2	2	4	4	4	4
	4	3/8"-16 x 1/2" hhcs	4	4	6	6	6	6
	5	5/16"- x 1 fms	8	8	12	12	12	12
	6	5/16"-18 nut	8	8	12	12	12	12

C7



ADJUSTABLE ANGLE IRON GUARD RAILS FOR EQUIPMENT RACKS (19")

Modified:10/15/2009



C7

	part number	line-up of 19" racks	A	stock list
	Ordering Table	00405801xx	1	12"
00405802xx		1	14"	2
00405803xx		1	15"	3
00405804xx		1	16"	4
00405805xx		1	20"	5
00405806xx		2	12"	6
00405807xx		2	14"	7
00405808xx		2	15"	8
00405809xx		2	16"	9
00405810xx		2	20"	10
00405811xx		3	12"	11
00405812xx		3	14"	12
00405813xx		3	15"	13
00405814xx		3	16"	14
00405815xx		3	20"	15
00405816xx		4	12"	16
00405817xx		4	14"	17
00405818xx		4	15"	18
00405819xx		4	16"	19
00405820xx		4	20"	20
00405821xx		5	12"	21
00405822xx		5	14"	22
00405823xx		5	15"	23
00405824xx		5	16"	24
00405825xx		5	20"	25
00405826xx		6	12"	26
00405827xx		6	14"	27
00405828xx		6	15"	28
00405829xx		6	16"	29
00405830xx		6	20"	30

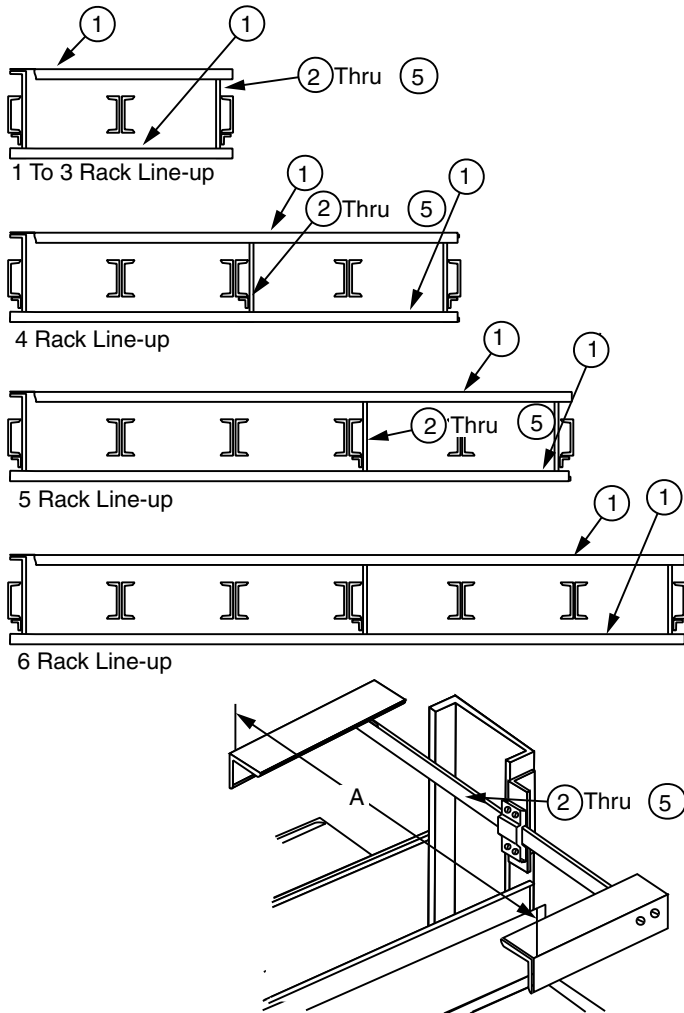
	Item	Qty		Description
		1-15	16-30	
Stock List	1	2	2	guard rail
	2	2	3	adjustable guard rail support (12" to 20" respectively)
	3	4	6	3/8"-16 x 1/2" hhcs
	4	8	12	5/16"-18 x 1" fhms
	5	8	12	5/16"-8 hex nut

Notes:

- XX= finish code; standard finish xx= 30.
- Guard rail width (dim. A) is 12", 14", 15", 16", or 20" standard. Other widths are available upon request.
- Adjustable support allows guard rail to be moved forward or backward to required position and then locked into place.

ADJUSTABLE ANGLE IRON GUARD RAILS FOR EQUIPMENT RACKS (23")

Modified:09/22/2009



Ordering Table	part number	line-up of 23" racks	A	stock list
	00405901xx	1	12"	1
00405902xx	1	14"	2	
00405903xx	1	15"	3	
00405904xx	1	16"	4	
00405905xx	1	20"	5	
00405906xx	2	12"	6	
00405907xx	2	14"	7	
00405908xx	2	15"	8	
00405909xx	2	16"	9	
00405910xx	2	20"	10	
00405911xx	3	12"	11	
00405912xx	3	14"	12	
00405913xx	3	15"	13	
00405914xx	3	16"	14	
00405915xx	3	20"	15	
00405916xx	4	12"	16	
00405917xx	4	14"	17	
00405918xx	4	15"	18	
00405919xx	4	16"	19	
00405920xx	4	20"	20	
00405921xx	5	12"	21	
00405922xx	5	14"	22	
00405923xx	5	15"	23	
00405924xx	5	16"	24	
00405925xx	5	20"	25	
00405926xx	6	12"	26	
00405927xx	6	14"	27	
00405928xx	6	15"	28	
00405929xx	6	16"	29	
00405930xx	6	20"	30	

C7

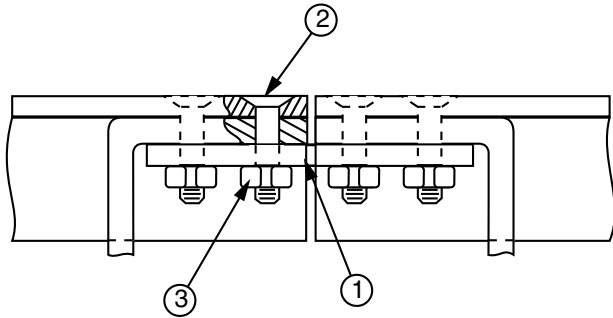
Stock List	Item	Qty		Description
		1-15	16-30	
	1	2	2	guard rail
	2	2	3	adjustable guard rail support (12" to 20" respectively)
	3	4	6	3/8"-16 x 1/2" hncs
	4	8	12	5/16"-18 x 1" fhms
	5	8	12	5/16"-8 hex nut

Notes:

- XX= finish code; standard finish xx= 30.
- Guard rail width (dim. A) is 12", 14", 15", 16", or 20" standard. Other widths are available upon request.
- Adjustable support allows guard rail to be moved forward or backward to required position and then locked into place.

ANGLE IRON GUARD RAIL SPLICE

Modified:09/22/2009



Part Number	
Ordering	00403000XX

Stock List		
Item	Qty	Description
1	1	splice plate
2	4	5/16"-18 x 1" fhms
3	4	5/16"-18 nut

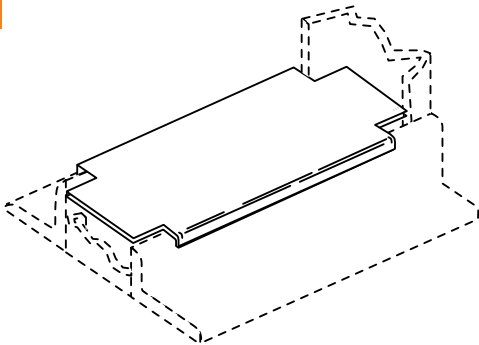
Notes:

- XX= Finish Code; Standard Finish, XX=30.

DUST COVER FOR FLOOR SUPPORTED EQUIPMENT RACK

Modified:09/22/2009

C7



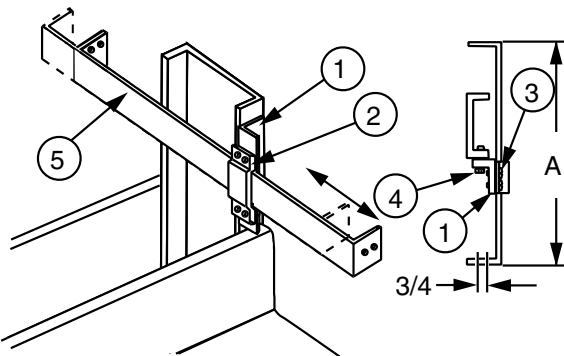
Ordering Table	
part number	rack size
00403301xx	19"
00403302xx	23"

Notes:

- XX= Finish Code; Standard Finish, XX=30.

ADJUSTABLE GUARD RAIL SUPPORT ASSEMBLY

Modified:09/22/2009



Ordering Table	
part number	A
00405601xx	12"
00405602xx	14"
00405603xx	15"
00405604xx	16"
00405605xx	20"

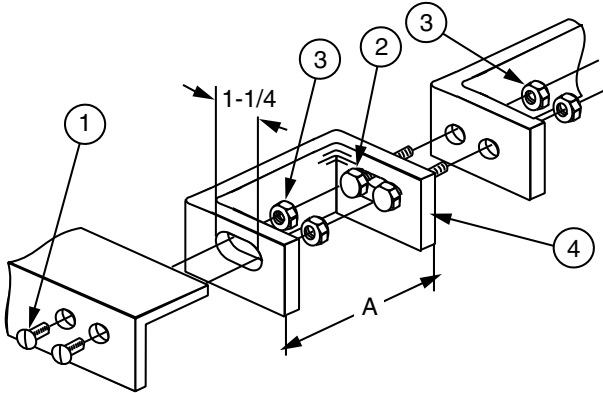
Stock List		
Item	Qty	Description
1	1	adj. guard rail bracket
2	1	support bar clamp
3	4	1/4"-20 x 3/8" rhms
4	2	3/8"-16 x 1/2" hhcs
5	1	guard rail support bar

Notes:

- Standard Finish, XX= 30.

GUARD RAIL EXTENSION BRACKET

Modified:03/11/2015



Ordering Table

Part Number	Length
00405701xx	2"
00405702xx	3"
00405703xx	4"

Stock List

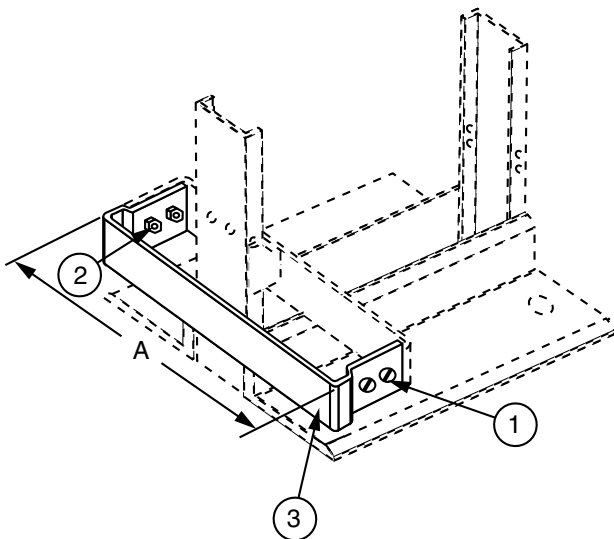
Item	QTY	Description
1	2	5/16"-18 X 3/4" FHMS
2	2	5/16"-18 X 1" HHCS
3	4	5/16"-18 Hex Nut
4	1	Guard Rail Ext. Bracket

Notes:

- XX= finish code; standard finish, xx= 30.

END CLOSING DETAIL FOR ANGLE RAIL

Modified:09/22/2009



	part number	length
Ordering Table	00402101xx	12"
	00402102xx	14"
	00402103xx	15"
	00402104xx	16"
	00402105xx	20"

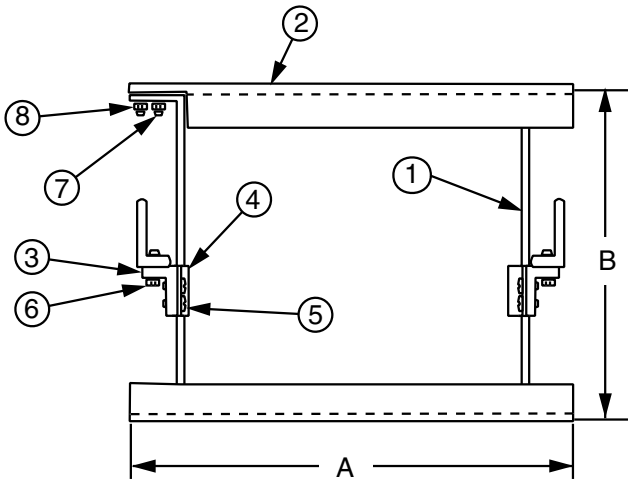
	Item	Qty	Description
Stock List	1	4	5/16"-18 x 1"
	2	4	5/16"-18 nut
	3	1	end guard

Notes:

- XX= finish code; standard finish, xx= 30.

ADJUSTABLE ANGLE IRON GUARD RAILS FOR CABLING SECTIONS

Modified:11/04/2009



	part number	A	B
Ordering Table	00405501xx	6"	12"
	00405502xx	8"	12"
	00405503xx	6"	14"
	00405504xx	8"	14"
	00405505xx	6"	15"
	00405506xx	8"	15"
	00405507xx	6"	16"
	00405508xx	8"	16"
	00405509xx	6"	20"
	00405510xx	8"	20"

	Item	Qty	Description
Stock List	1	2	guard rail support bar
	2	2	guard rail
	3	2	guard rail bracket
	4	2	support bar clamp
	5	8	1/4"-20 x 3/8" rhms
	6	4	3/8"-16 x 1/2" hhcs
	7	8	5/16"-18 x 1" fhms
	8	8	5/16"-18 hex nut

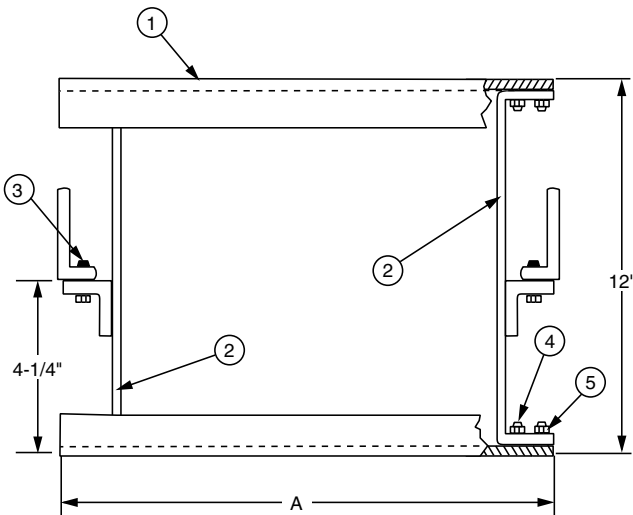
Notes:

C7

- XX= finish code; standard finish, xx= 30.
- Other widths are available upon request.
- Guard rail may be moved forward or backward and set into position by tightening support bar clamp.

STATIONARY ANGLE IRON GUARD RAILS FOR CABLING SECTION

Modified:09/22/2009



	part number	A
Ordering Table	00405100xx	6"
	00405200xx	8"

	Item	Qty	Description
Stock List	1	2	guard rail
	2	2	guard rail support
	3	4	3/8"-16 x 1/2" hhcs
	4	8	5/16"-18 x 1" fhms
	5	8	5/16"-18 hex nut

Notes:

- XX= finish code; standard finish, xx= 30.