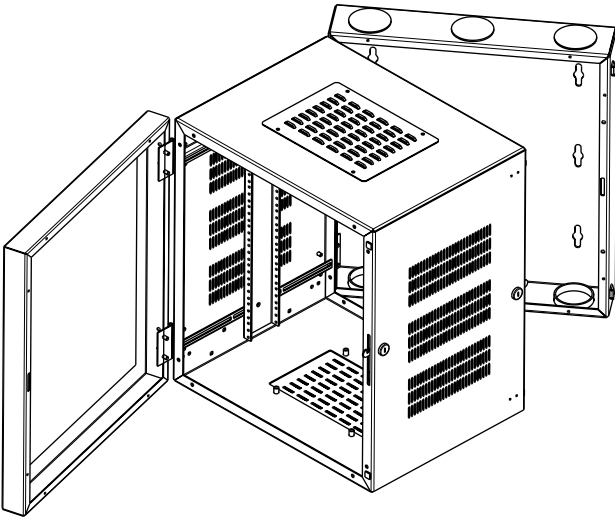


WALLMOUNT ENCLOSURE

Modified:03/08/2017



Material

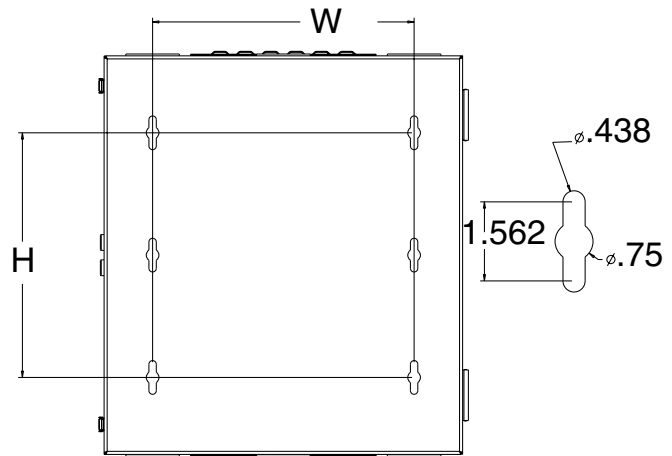
- Frame : 11 and 13 gauge steel fully welded chassis
- Doors : 16 gauge steel
- Mounting Uprights : Zinc-plated 11 gauge steel

Key features

- Symmetric design allows enclosure to be wall mounted so doormay hinge on left or right hand-side.
- Three (3) sections (door, equipment, and mounting) are secured from each other via different key-codes which allows for access to front and rear of equipment.
- Set of two (2), U-shaped mounting uprights tapped #12-24. See below for hole pattern options.
- Six (6) 3" holes in mounting section for cable management.
- Multiple fan options available.

Mounting	W
19"	15.5
23"	19.5

Height	H
24"	14.5
36"	26.5
48"	38.5

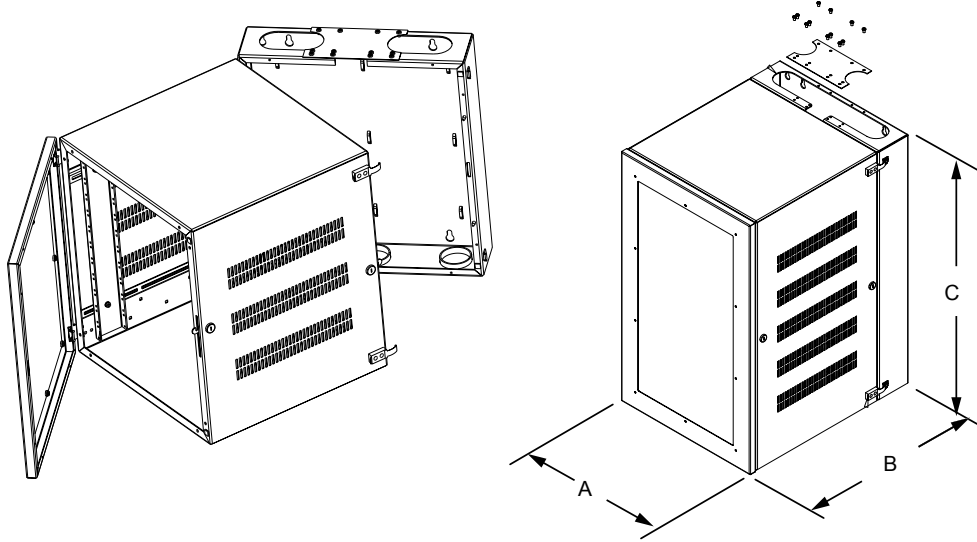


W	AA	BB	CC	D	E	F	XX
W: (Wallmount enclosure)							XX: FINISH CODE 30 = telco gray 31 = gray 64 = blue
AA: outside height 24" = 24" overall height 36" = 36" overall height 48" = 48" overall height							F: Mounting Upright Spacing 0 = 1" hole spacing 1 = 1-1/4" - 1/2" EIA wide 2 = 5/8"-5/8"-1/2"
BB: Rack Mount Width 19" = 19" rack mounting width 23" = 23" rack mounting width							E: Door Configuration 0 = Solid doors with louvers 1 = Bronze (smoked) Plexiglass window door 2 = Clear 94 V-0 Lexan window door
CC: Equipment Section Depth 16" = 16" equipment depth							D: Fan Options 0 = No fan / louvered top only 1 = Two (2) fans @ 204 CFM, top only 2 = Four (4) fans @ 408 CFM, top & bottom

D1

WALL CABINET FOR 19" EQUIPMENT

Modified:06/20/2014



	part number	A	B	C
Ordering	22247000xx	21.25	26.24	24
	22247100xx	21.25	26.24	36

Note:

- 19" mounting
- Smoked Plexiglas Door

WALLMOUNT CABINET

Modified:11/24/2009

REMOVABLE 2" PLUGS WITH SUPPLIED BUSHINGS,
3 PLACES TOP AND 3 PLACES BOTTOM
FOR CABLE ACCESS.

STAINLESS STEEL HINGES,
ATTACHED WITH TAMPER
PROOF STAINLESS STEEL HARDWARE.

SCALE 0.200

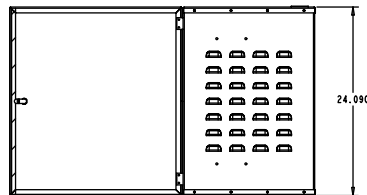
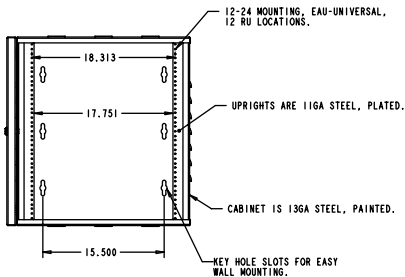
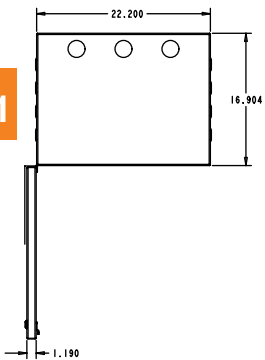
	Part Number
Ordering Table	21746550xx

KEY LOCKED DOOR,
WITH 2 KEYS.

UPRIGHTS ADJUST FRONT TO REAR.

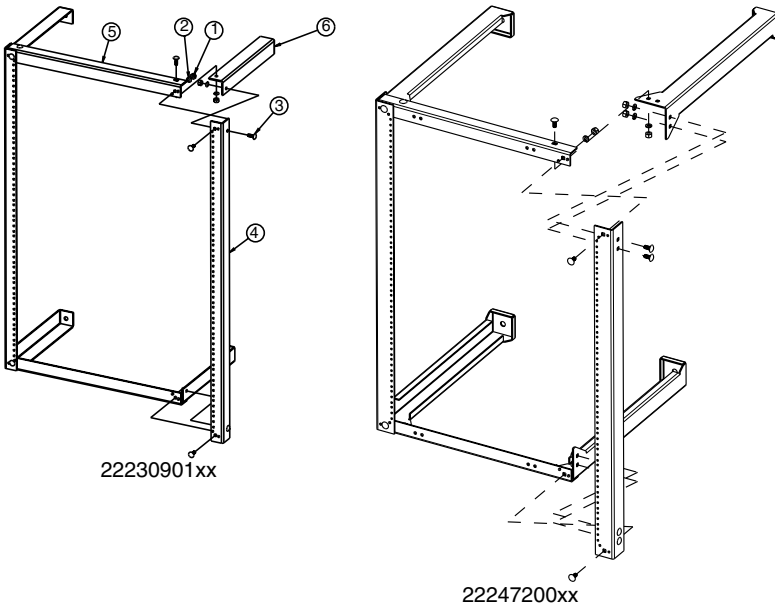
2" LOUVERS FOR VENTING,
56 PLACES.

D1



BOLTED WALL MOUNT FRAME (19" EQUIPMENT)

Modified:08/09/2010



	Part Number	Height	Depth
Ordering Table	22230901XX	36"	12"
	22247200XX	36"	22"

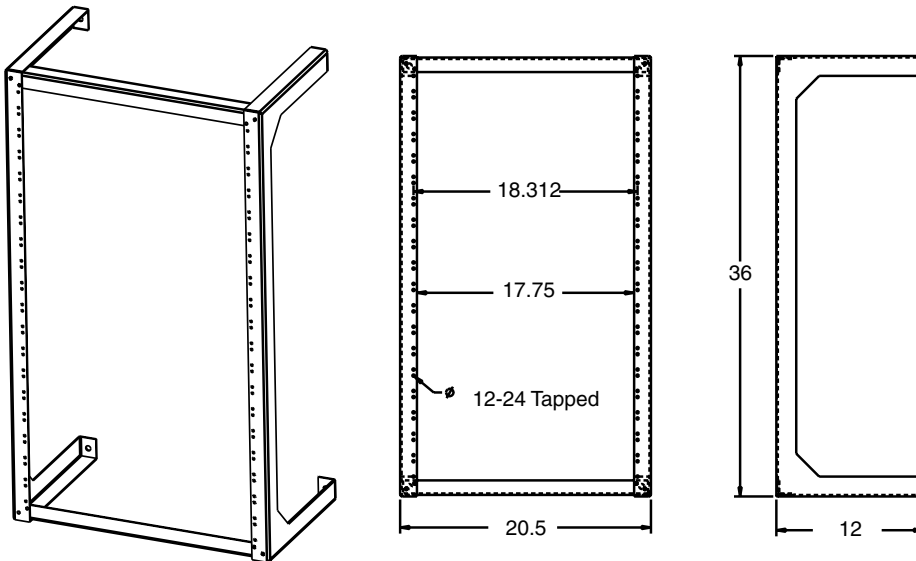
	Item	Qty	Description
Stock List	1	12	1/4-20 Heavy hex nuts
	2	12	1/4 lock washer
	3	2	carriage bolt 1/4-20 x 3/4
	4	2	36" wall mounting rack upright
	5	2	wall mounting top & bottom angle
	6	4	wall mounting rack bracket

Note:

- 22247200xx is a heavy duty wallmount rack. Rack is designed to hold up to 250 lbs of equipment.
- Make sure mounting wall is adequate to support rack with loaded weight.
- Kit comes unassembled

WELDED WALL MOUNT RACK (19" EQUIPMENT)

Modified:10/15/2009

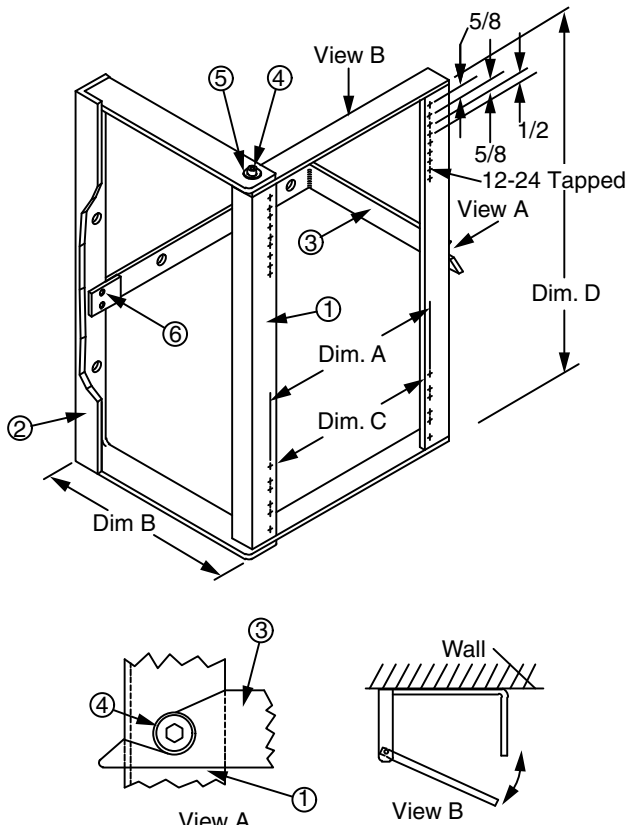


	part number	height	depth
Ordering Table	22247300xx	36"	12"

D1

WALL MOUNTED GATED EQUIPMENT RACK

Modified:09/22/2009



	part number	A	B	C	D	Mtg Spc
Ordering Table	00404801xx	18-5/16"	10"	17-3/4"	17"	9
	00404802xx	22-5/16"	10"	21-3/4"	17"	9
	21076800xx	18-5/16"	24"	17-3/4"	36-1/2"	20
	21076801xx	18-5/16"	14"	17-3/4"	24"	13
	21076802xx	18-5/16"	17"	17-3/4"	32-3/4"	18
	21076803xx	18-5/16"	18"	17-3/4"	36-1/2"	20
	21076804xx	18-5/16"	18"	17-3/4"	17"	9
	21076805xx	18-5/16"	18"	17-3/4"	48"	26

	Item	Qty.	Description
Stock List	1	1	rack door
	2	1	wall mtg angle
	3	1	latch bracket
	4	3	shoulder screw
	5	2	5/16 flat washer
	6	2	1/4-20 x 1/2" rhms

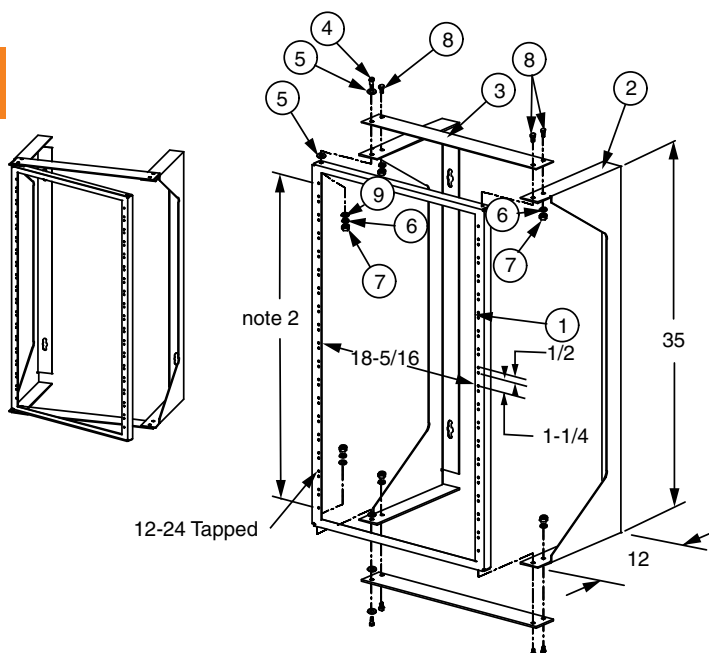
Notes:

- XX= finish code; standard finish, xx= 30.
- Wall mounting hardware not included.

SWING-OUT WALL MOUNTED RACK, 19", 1-3/4" MOUNTING SPACING

Modified:09/22/2009

D1



	Part Number
Ordering	21345200XX

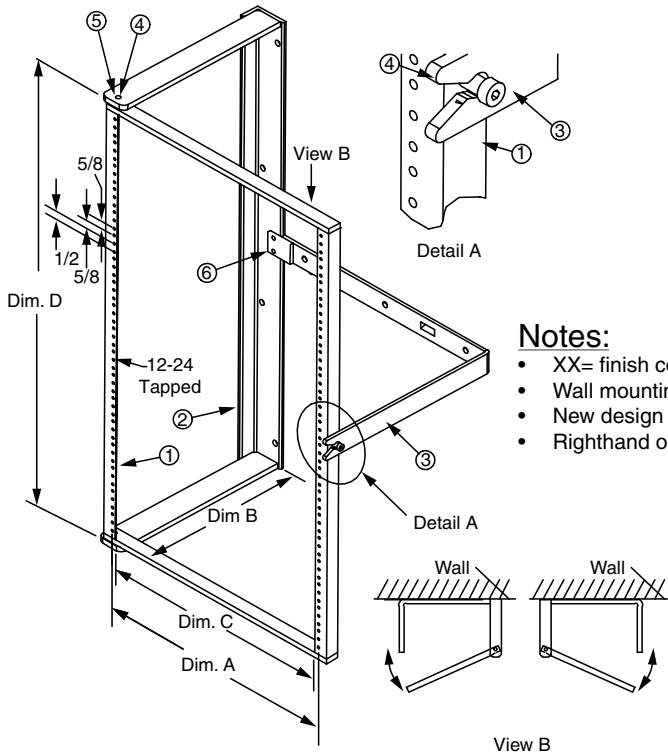
	Item	Qty.	Description
Stock List	1	1	gate
	2	2	wall support
	3	2	brace
	4	2	shoulder screw
	5	4	5/16 flat washer
	6	6	1/4-20 hex nut
	7	6	1/4 lock washer
	8	6	1/4-20 x 5/8" rhms
	9	2	1/4 flat washer

Notes:

- XX = finish code; standard finish, xx= 30.
- 18 Mounting spaces @ 1-3/4" = 31"
- Shipped unassembled.
- Can be mounted to swing out in either direction.

WALL MOUNTED GATED EQUIPMENT RACK

Modified:10/08/2009



Ordering Table	Part Number	A	B	C	D	Mtg Spc
	00404701xx	18-5/16"	14"	17-3/4"	32-3/4"	18
00404702xx	22-5/16"	14"	21-3/4"	32-3/4"	18	

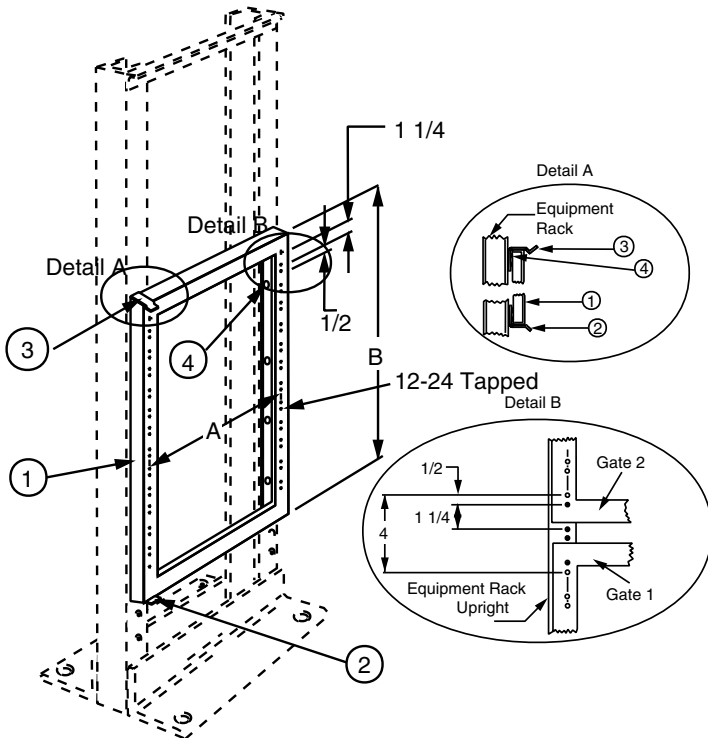
Notes:

- XX= finish code; standard finish, xx= 30.
- Wall mounting hardware not included.
- New design allows for rack to be mounted for Righthand or lefthand swing.

Stock List	Item	Qty.	Description
	1	1	rack door
2	1	wall mtg angle	
3	1	latch bracket	
4	3	shoulder screw	
5	2	5/16 flat washer	
6	2	1/4-20 x 1/2" rhms	

EQUIPMENT RACK GATE FOR FREESTANDING AND OVERHEAD SUPPORTED EQUIPMENT RACKS

Modified:06/30/2010



Ordering Table	part number	rack size	Gate 1-3/4" mtg spaces	A	B
	00407401xx	19	10	18-5/16"	20
00407402xx	19	18	18-5/16"	34	
00407403xx	19	20	18-5/16"	37-1/2"	
00407404xx	19	24	18-5/16"	44-1/2"	
00407405xx	23	10	22-5/16"	20	
00407406xx	23	18	22-5/16"	34	
00407407xx	23	20	22-5/16"	37-1/2"	
00407408xx	23	24	22-5/16"	44-1/2"	

Stock List	item	qty.	description
	1	1	rack gate
2	1	gate slide	
3	1	top latch	
4	ar	12-24 x 7/16" phms	

Notes:

- XX= finish code; standard finish, xx=30.
- Gate comes in four sizes and can be used individually or in groups of two or more on any height equipment rack.
- Each gate is equipped with mounting hardware and can be mounted on rack using existing mounting holes.
- Gate may be mounted to open from left side or right side of rack.
- Refer to detail "b" for method of mounting top latch and bottom gate slide.
- Detail "c" shows minimum distance between two gates when more than one gate is mounted on an equipment rack.
- Special drillings, widths, and heights are available upon request.