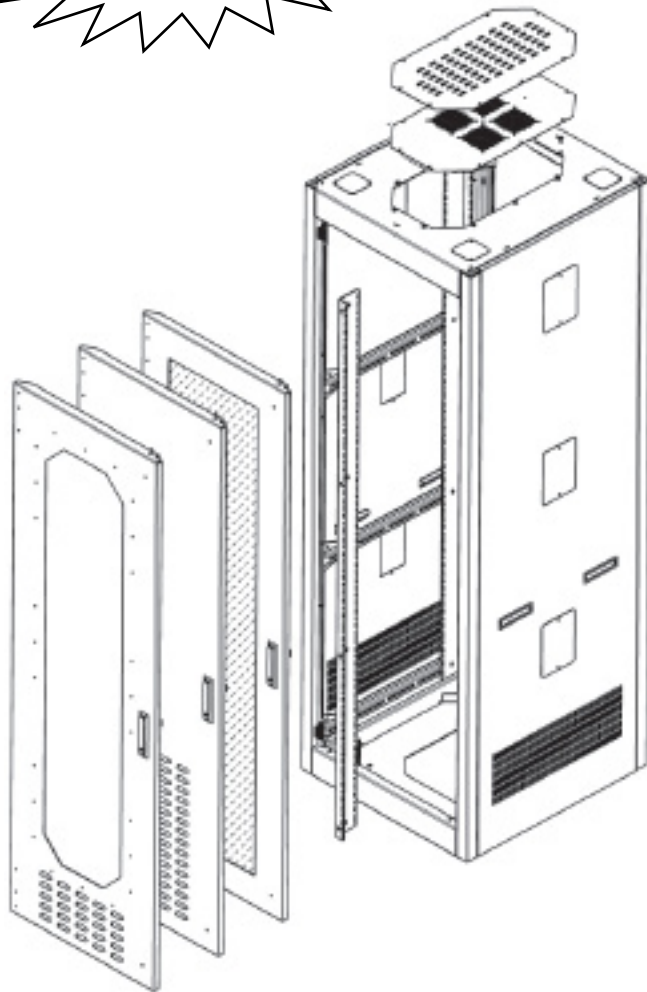


NEWTON SEISMIC ENCLOSURE

Modified:07/24/2012

NEBS / GR-63 - core
Tested to 1250 lbs.
Zone 4

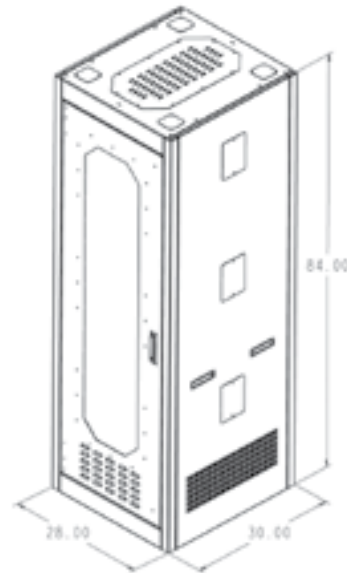


Materials:

- Frame : 11 gauge steel fully welded chassis
- Doors : 13 gauge steel
- Panels : 16 gauge steel
- Mounting Uprights : Zinc-plated 11 gauge steel

Features:

- Securable side panels with removable cross-connect openings. Easy to lift and remove.
- 3-point, keyed locks on front and rear doors. Available in multiple key-codes. Set of four (4) mounting uprights interchangeable to either 19" or 23" rack-mount orientation with cable management slots for cable ties. See below for mounting pattern options.
- Quick-release, spring-hinged doors for easy access for setup and maintenance. See below for door options.
- 1/4"-20 grounding points located throughout enclosure.
- No side cross-bracing for quick and easy side access.
- Open base design for under-floor cable routing.
- Multiple fan options available.



D2

S84	23	30	D	E	F	XX
<p>s84: 84" height seismic cabinet, 23" equipment width 30" deep</p>					<p>F: MOUNTING HOLE PATTERN 0 = 1" hole spacing 1 = 1 1/4"-1/2" EIA wide spacing 2 = 5/8"-5/8"-1/2" EIA universal spacing</p>	<p>99 = White Wrinkle 64 = Blue Wrinkle 45 = Black Wrinkle 44 = Gray</p>
<p>D: FAN OPTION 0 = No fan / louvered top panel 2 = Four (4) AC fans @ 408 CFM 3 = Four (4) DC fans @ 408 CFM</p>				<p>E: DOOR CONFIGURATION 0 = Solid rear door with louvers / solid front door with louvers 1 = Solid rear door with louvers / bronze (smoked) Plexiglas window front door with louvers 3 = Perforated rear door / perforated front door 9 = No Doors (front / back) or side panels.</p>		

SEISMIC ENCLOSURE, 7' X 30" X 36"

Modified:08/21/2015

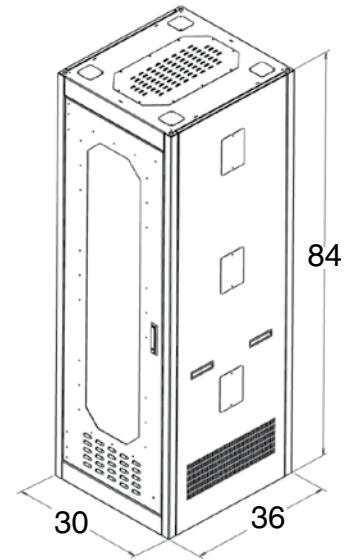
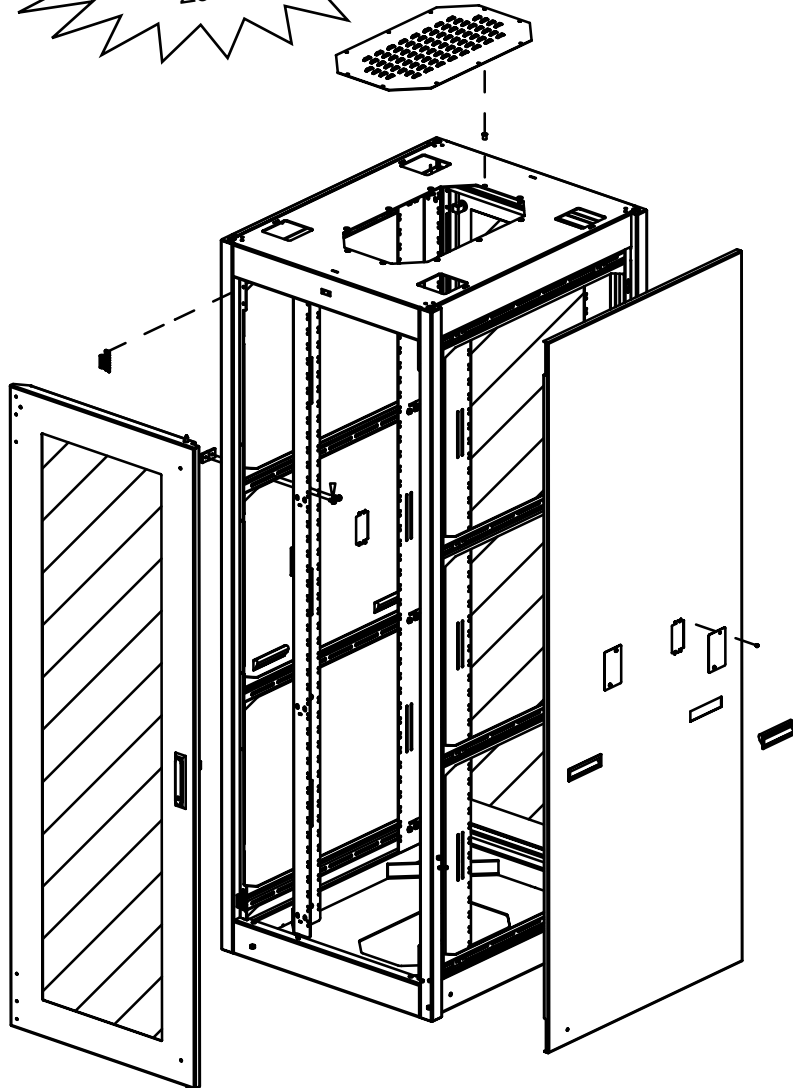
NEBS / GR-63 - core
Tested to 1150 lbs.
Zone 4

Materials:

- Frame : 11 gauge steel fully welded chassis
- Doors : 13 gauge steel Side
- Panels : 16 gauge steel
- Mounting Uprights : Zinc-plated 11 gauge steel

Features:

- Securable side panels with removable cross-connect openings. Easy to lift and remove.
- 3-point, keyed locks on front and rear doors. Available in multiple key-codes.
- Set of four (4) mounting uprights interchangeable to either 19" or 23" rack-mount orientation with cable management slots for cable ties. See below for mounting pattern options.
- Quick-release, spring-hinged doors for easy access for setup and maintenance. See below for door options.
- ¼"-20 grounding points located throughout enclosure.
- No side cross-bracing for quick and easy side access.
- Open base design for under-floor cable routing.
- Multiple fan options available.

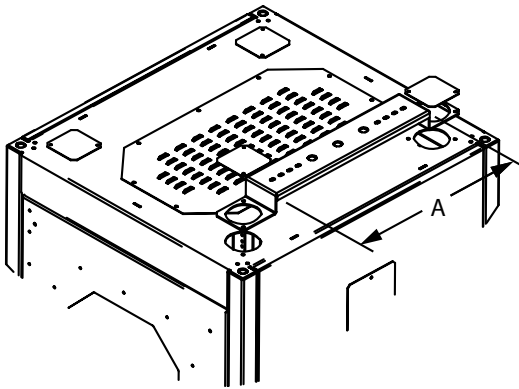


D2

S84	30	36	D	E	F	XX
s84: 84" high seismic cabinet					F: MOUNTING HOLE PATTERN 0 = 1" hole spacing 1 = 1¼"-½" EIA wide spacing 2 = 5/8"-5/8-1/2 EIA Universal	64 = Blue Wrinkle 45 = Black Wrinkle 44 = Gray
30" width						
36" deep					E : DOOR CONFIGURATION 0 = Solid front & rear doors with louvers and solid sides 1 = Perforated front & solid rear doors and solid sides 3 = Perforated rear door / perforated front door 8 = Plexiglass front door / solid rear door, no sides panels. 9 = No Doors (front / back) or sides/top panels. *** note: side panels can be ordered separately. Doors can only be ordered at original time of purchase and can not be added at later time.	
D : FAN OPTION 0 = No fan / louvered top panel 1 = Four (4) AC fans @ 408 CFM						

FRAME SUPPORT KIT

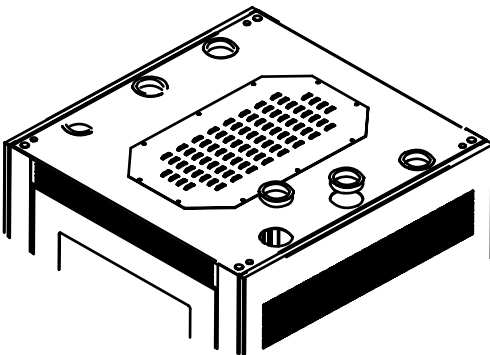
Modified:10/08/2009



	Part Number	A
Ordering	22007700xx	18
	22007702xx	24

CABLE ACCESS BUSHING KIT

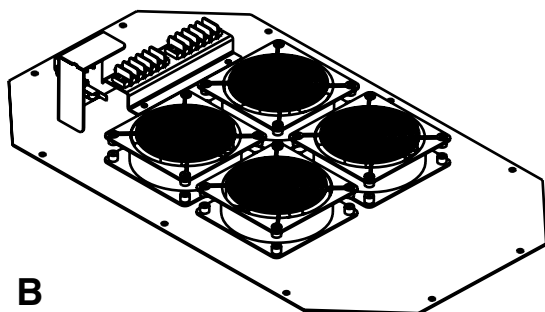
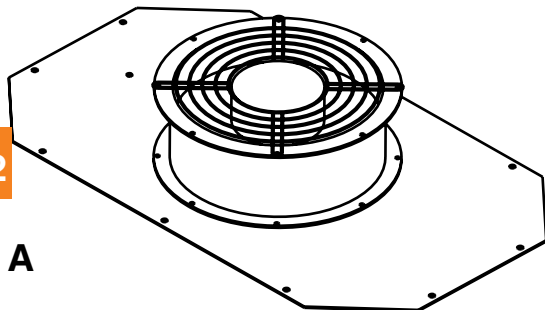
Modified:09/22/2009



	Part Number	QTY
Ordering	2200800100	4
	2200800200	6

TOP-MOUNT FAN TRAY

Modified:10/08/2009



	Part Number	description	Fan
Ordering	21983600xx	Louvered panel without fan	
	21983601xx	Single 115 vac fan @ 550 CFM	A
	21983602xx	Four 115 vac fans @ 408 CFM total	B
	21983603xx	Four low profile 48 VDC fans @ 408 CFM total	B
	22021200xx	Louvered panel with out fan	

Notes:

- All kits with fans included; also includes a 8' grounded power cord.