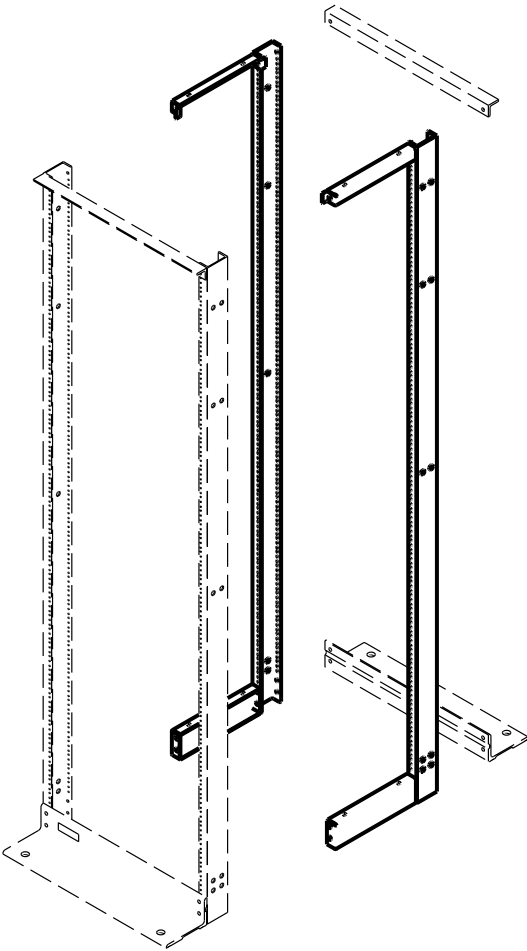


NEWTON CONVERSION KIT

Modified:10/28/2010



Newton Conversion Kit

The newly designed conversion kit is the perfect accessory to the Newton product series of 84" Newton Data Racks "NDR" (EIA 310-D compliant) and Newton Formed Racks "NFR" (EIA 310-D compliant) steel racks to create a 4-Post Frame. It offers a very cost effective solution to convert an existing two post rack into a higher strength, deeper four post frame option. These lightweight aluminum or steel kits are shipped unassembled in a compact 6"x6"x 86" secure package, minimizing storage space and shipping costs.

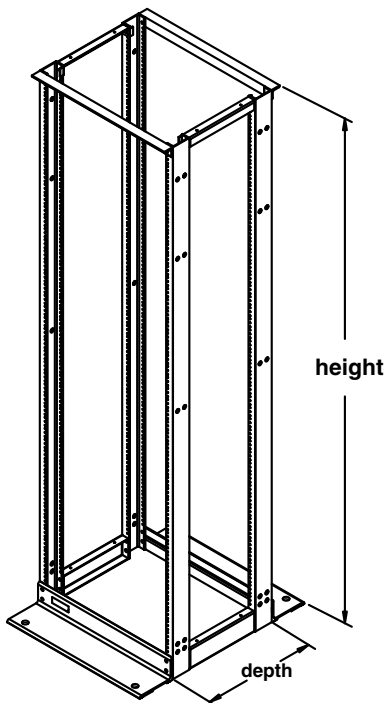
Features

- Available in black, gray and unfinished aluminum
- Standard EIA Universal (5/8"-5/8"-1/2") mounting hole pattern, for Aluminum version.
- EIA Universal (5/8"-5/8"-1/2") and EIA Wide (1-1/4" x 1/2") mounting hole pattern, for Steel version.
- Open architecture, allows easy access to equipment.
- Available in three depths, 18", 24" and 30".
- Final, finished four post configuration has a minimum 1500 lb. static load capacity.
- Versatile for either 19" or 23" rack configurations.
- Can be used in conjunction with Newton's **NSCM** and **NVCM** cable managers

Note:

- You must purchase **NDR & NFR** racks separately

	Item	Qty	Description
Stock List	1	2	84" uprights
	2	2	top supports
	3	2	base supports
	4	1	hardware kit
	5	1	top angle (steel version only)

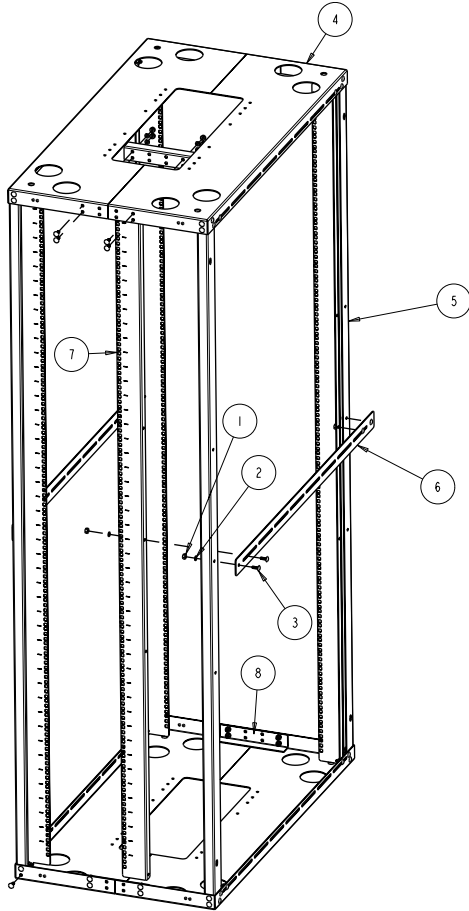


NCK	AAA	BB	CC	XX
Newton Conversion Kit				XX: FINISH CODE 30 = Telco Gray 31 = Gray 64 = Blue
AA = Height 084 = 084 = 84"/7' overall height				
BB = Depth 18 = 18" conversion 24 = 24" conversion 30 = 30" conversion				CC = Material 00 = EIA Universal (5/8"x5/8"x1/2"), Aluminum 50 = EIA Wide (1-1/4"x1/2"), Steel 51 = EIA Universal (5/8"x5/8"x1/2"), Steel

D3

4-POST SERVER FRAME KIT

Modified:03/12/2015



Ordering Table

Part Number	Depth
22234300XX	42"
22234310XX	36"
22234320XX	30"
22234330XX	24"

Configuration

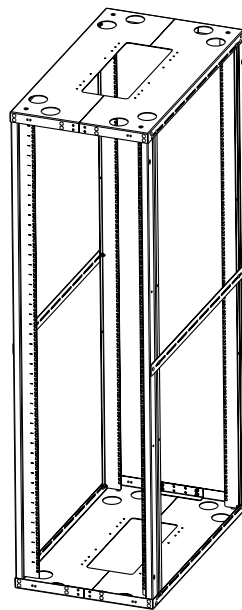
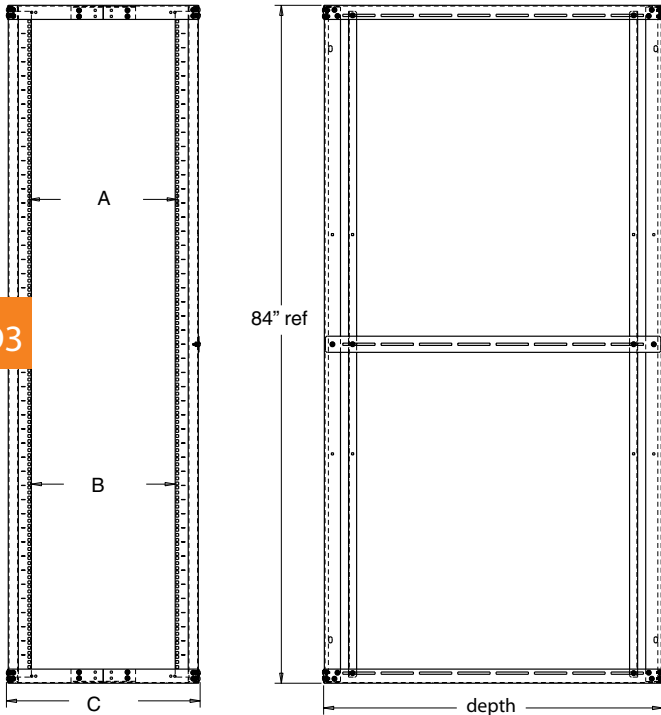
Width	A	B	C
19"	18-15/16"	17-3/4"	24"
23"	22-15/16"	21-3/4"	28"

Stock List

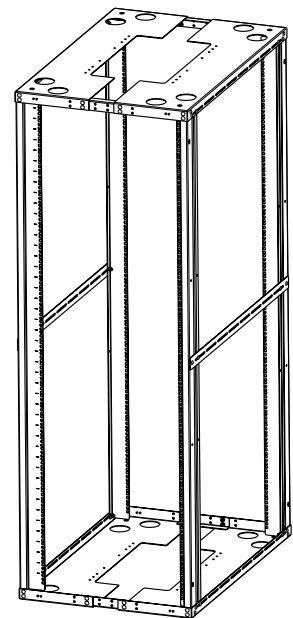
Item	QTY	Description
1	64	5/16-18 Heavy hex nuts
2	64	5/16 lock washer
3	64	5/16-18 x 3/4" carriage bolt
4	4	4-post server frame top & bottom
5	4	4-post server frame corner post
6	4	t4-post server frame extender
7	2	4-post server frame side rail
8	4	4-post server frame upright

Notes:

- Frame must be anchored to the floor for top-loading stability.



19" configuration



23" configuration

4-POST WELDED STEEL FRAME

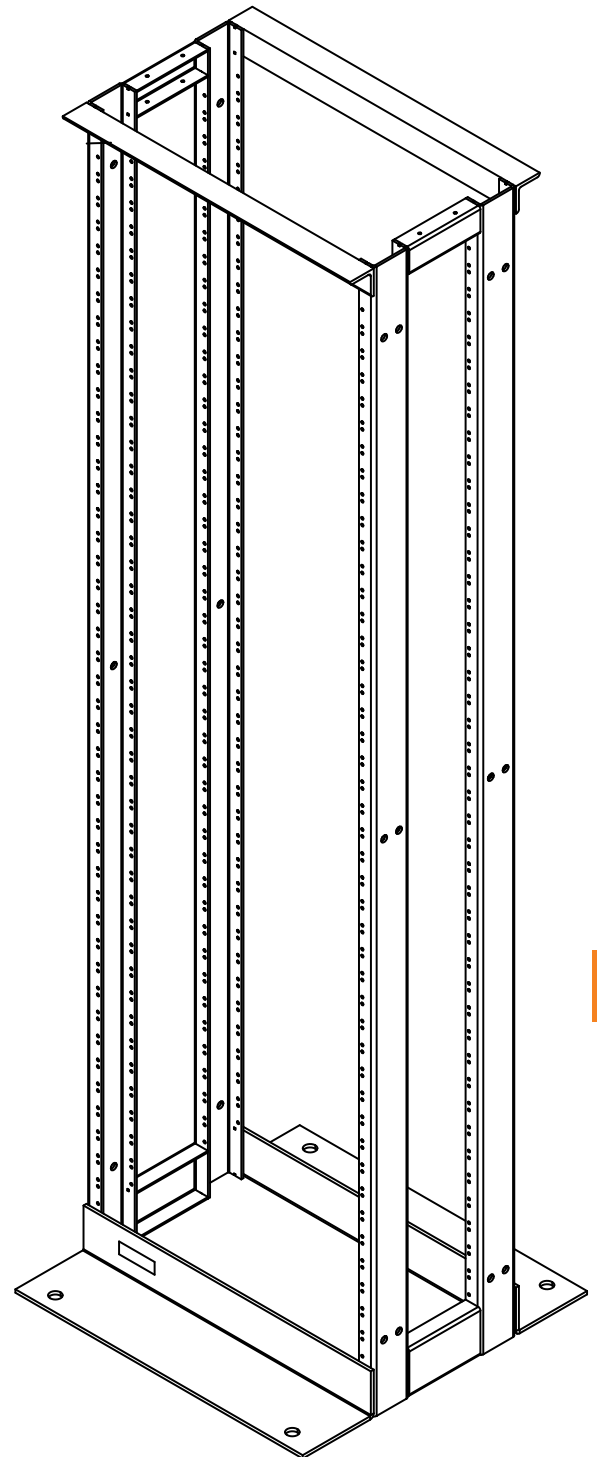
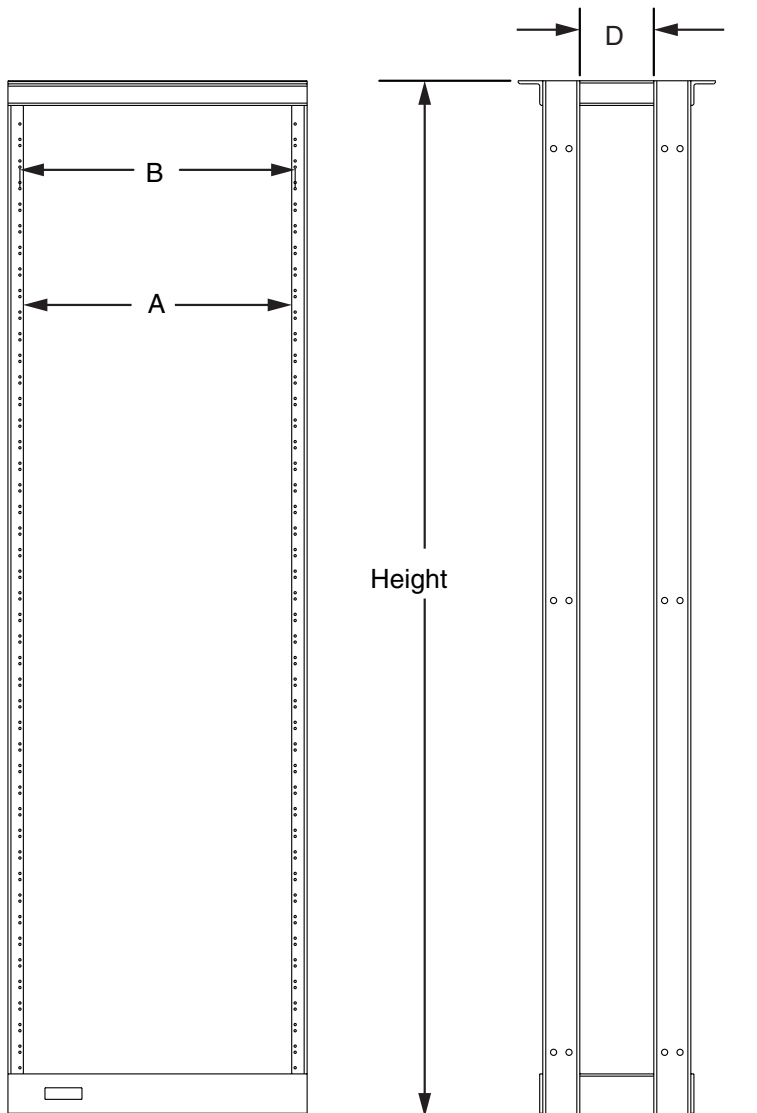
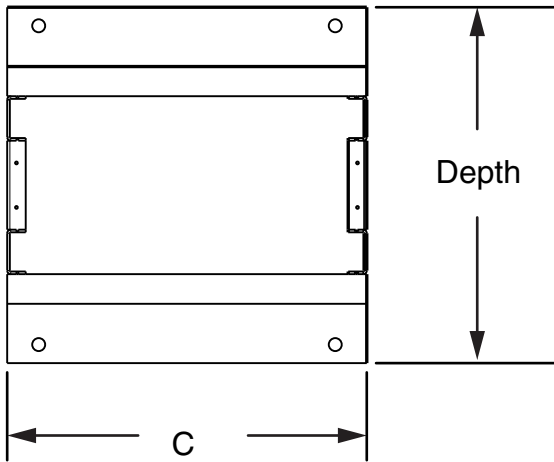
Modified:03/07/2017

Ordering Table

Part Number	Depth	A	B	C	D	Hole Pattern
22209601xx	22.5"	21.75"	22.312"	24.25"	4.5"	EIA Wide
22209651xx	24"	17.75"	18.312"	20.25"	6"	EIA Wide

Notes:

- Custom depth available with 5 piece minimum order.



D3