

## Innovative Design

1. **Simple design....** Compatible with Newton Vertical cable managers (NSCM series) Mounting holes to attach four sizes of cable rack to the top. Cable management access in top and base.

2. **Easy to assemble....** Once unpacked, this frame will typically take about an hour to assemble. All of the bolts are a carriage bolt style, allowing assembly by one person and giving the added benefit of a self squaring feature.

3. **Packaging....** The server frame is an impressive 24W x 42D x 84H when assembled but when shipped, the box is less than 85" x 16" x 3" and can be shipped by most major carriers without a pallet.

4. **Cost effective.....** Bolt together design reduces part count and cost. Flat pack container drastically cuts shipping costs.

5. **Flexibility...** Equipment mounting uprights designed to accept cage nuts in various sizes. Frame is easily converted from 19" to 23" width.

6. **Custom Applications....** If this is not an exact match of what you are looking for, Newton can custom design a server frame to your requirements. All we need is a small *minimum purchase* and we can *customize* the frame for height, depth, mounting hole spacing, color etc....just call and ask !

### Note:

- Frame must be anchored to the floor for toploading stability.



## Smart Convenient Packaging

### Ships like this



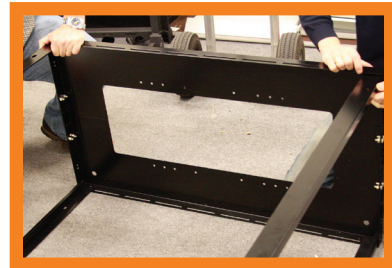
### Unpacks like this



### Assembles like this

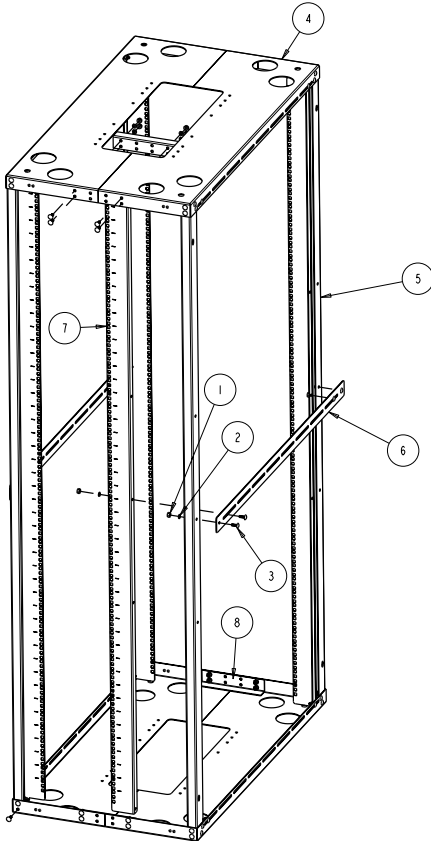


## Easy Assembly



**4-POST SERVER FRAME KIT**

Modified:08/10/2010



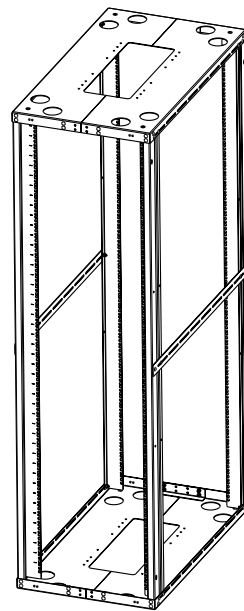
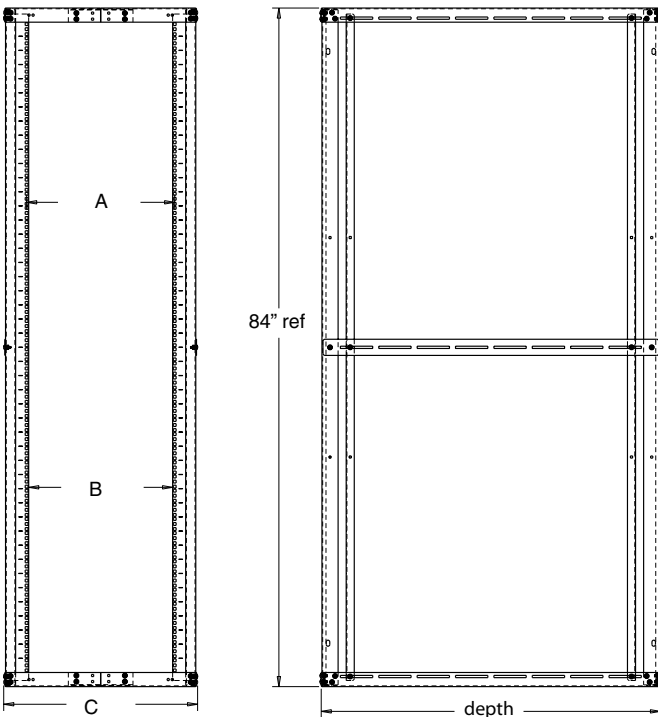
**Notes:**

- Frame must be anchored to the floor for toloading stability.

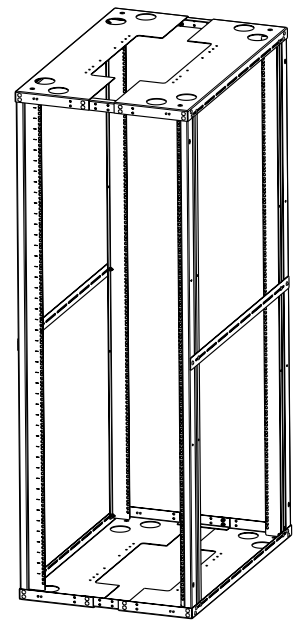
	Part Number	Depth
<b>Ordering Table</b>	22234300XX	42"
	22234310XX	36"
	22234320XX	30"
	22234330XX	24"

	configuration	A	B	C
<b>Cabinet Width</b>	19"	18-5/16"	17-3/4"	24"
	23"	22-5/16"	21-3/4"	28"

	Item	Qty	Description
<b>Stock List</b>	1	64	5/16-18 Heavy hex nuts
	2	64	5/16 lock washer
	3	64	5/16-18 x 3/4" carriage bolt
	4	4	4-post server frame top & bottom
	5	4	4-post server frame corner post
	6	4	t4-post server frame extender
	7	2	4-post server frame side rail
	8	4	4-post server frame upright



19" configuration



23" configuration