

Adjustable Bolt-Together Frame
222343xxxx

• Ships like this



• Unpacks like this



• Assembles like this



Innovative Design

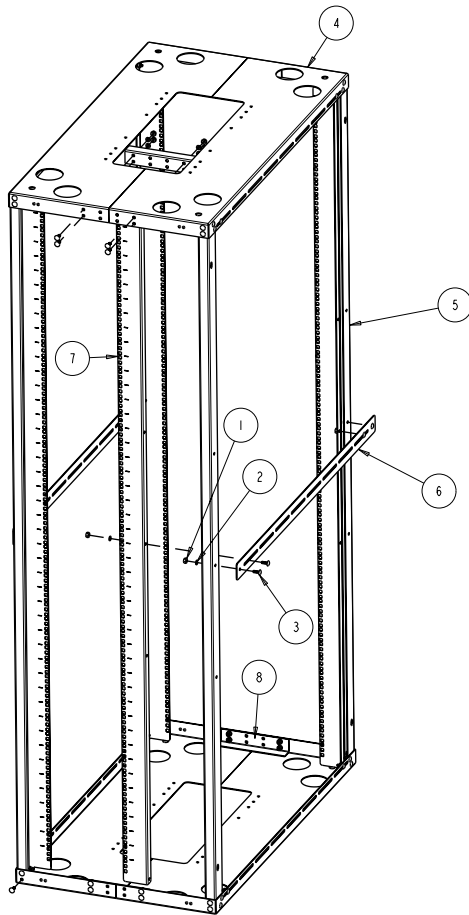
1. **Simple design.....** Compatible with Newton Vertical cable managers (NSCM series) Mounting holes to attach four sizes of cable rack to the top. Cable management access in top and base.
2. **Easy to assemble....**Once unpacked, this frame will typically take about an hour to assemble. All of the bolts are a carriage bolt style, allowing assembly by one person and giving the added benefit of a self squaring feature.
3. **Packaging....**The deepest server frame is an impressive 24W x 42D x 84H when assembled but when shipped, the box is less than 85" x 16" x 3" and can be shipped by most major carriers without a pallet.
4. **Cost effective.....**Bolt together design reduces part count and cost. Flat pack container drastically cuts shipping costs.
5. **Flexibility...** Equipment mounting uprights designed to accept cage nuts in various sizes. Frame is easily converted from 19" to 23" width.
6. **Custom Applications....**If this is not an exact match of what you are looking for, Newton can custom design a server frame to your requirements. All we need is a small *minimum purchase* and we can *customize* the frame for height, depth, mounting hole spacing, color etc....just call and ask !

Note:

- Frame must be anchored to the floor for toploding stability.
- Mounting hardware options must be ordered separately

4-POST SERVER FRAME KIT

Modified:03/12/2015



Ordering Table

Part Number	Depth
22234300XX	42"
22234310XX	36"
22234320XX	30"
22234330XX	24"

Configuration

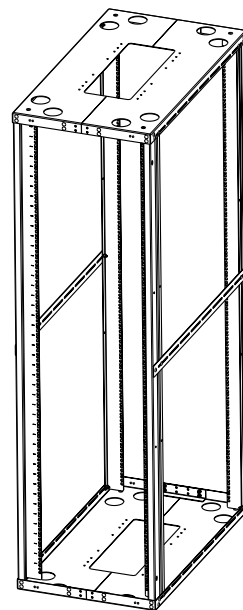
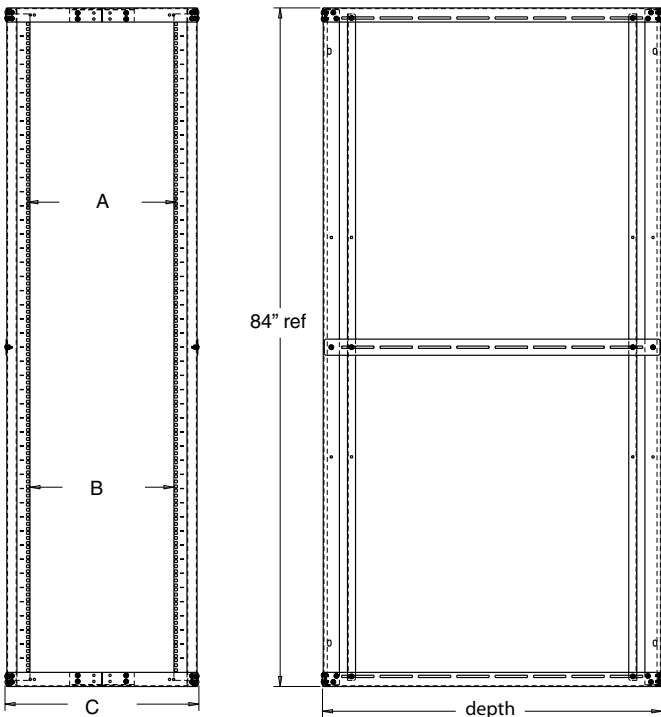
Width	A	B	C
19"	18-15/16"	17-3/4"	24"
23"	22-15/16"	21-3/4"	28"

Stock List

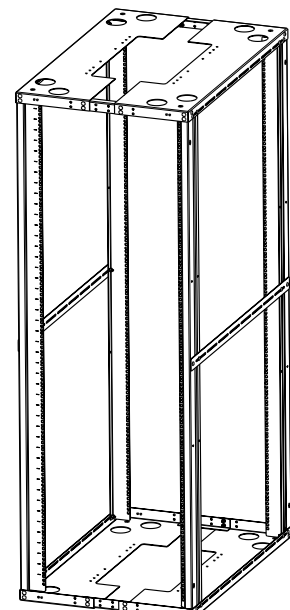
Item	QTY	Description
1	64	5/16-18 Heavy hex nuts
2	64	5/16 lock washer
3	64	5/16-18 x 3/4" carriage bolt
4	4	4-post server frame top & bottom
5	4	4-post server frame corner post
6	4	t4-post server frame extender
7	2	4-post server frame side rail
8	4	4-post server frame upright

Notes:

- Frame must be anchored to the floor for top-loading stability.



19" configuration



23" configuration