

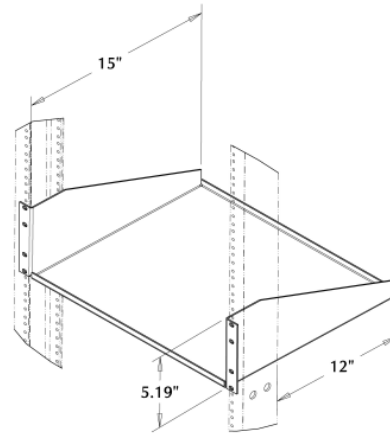
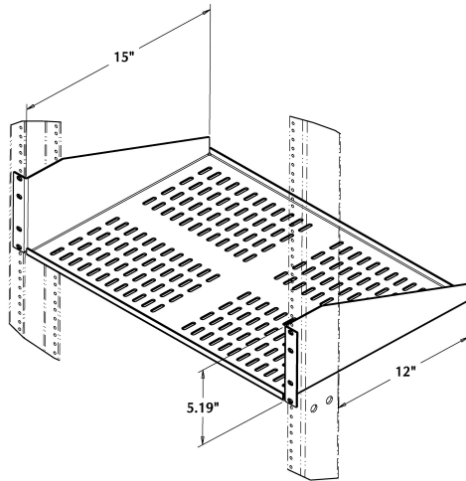
EQUIPMENT RACK ACCESSORIES

Customer Premise Newton Data Equipment Rack (NDR) Shelves and Hardware

Single-Sided, Aluminum Shelf

Part Number	Description	Depth
NDRS191510xx	Single-Sided Shelf 19" rack mount	15"
NDRS231510xx	Single-Sided Shelf 23" rack mount	15"
xx=Color 23 = Brushed Aluminum : 30 = Gray : 47 = Black		

- Sturdy, lightweight 0.09" aluminum construction
- Extra wide for data equipment mounting
- 50 pound, evenly distributed capacity
- Mounting hardware not included



Single-Sided, Vented, Aluminum Shelf

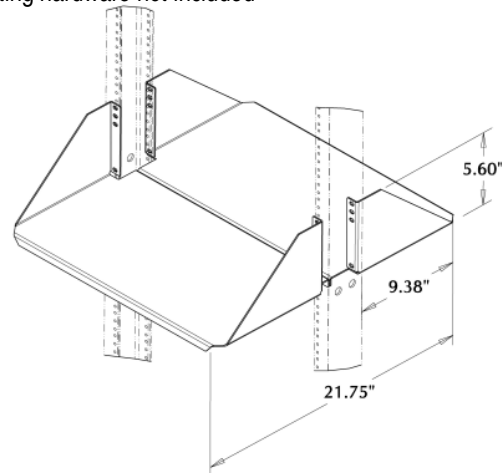
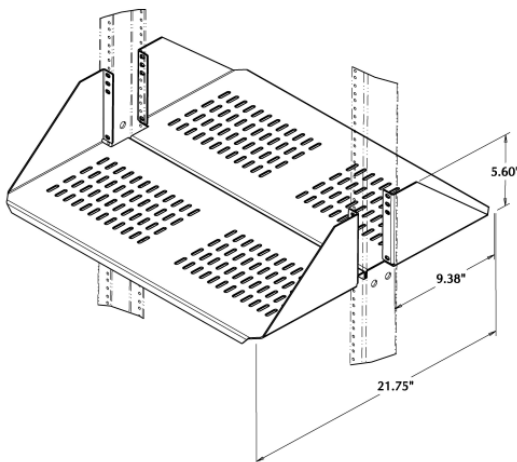
Part Number	Description	Depth
NDRS191515xx	Single-Sided Vented Shelf 19" rack mount	15"
NDRS231515xx	Single-Sided Vented Shelf 23" rack mount	15"
xx=Color 23 = Brushed Aluminum : 30 = Gray : 47 = Black		

- Sturdy, lightweight 0.09" aluminum construction
- Air-flow perforations
- Extra wide for data equipment mounting
- 50 pound, evenly distributed capacity
- Mounting hardware not included

Double-Sided, Aluminum Shelf

Part Number	Description	Depth
NDRS191120xx	Double-Sided Shelf 19" rack mount	21 ³ / ₄ "
NDRS231120xx	Double-Sided Shelf 23" rack mount	21 ³ / ₄ "
xx=Color 23 = Brushed Aluminum : 30 = Gray : 47 = Black		

- Sturdy, lightweight 0.09" aluminum construction
- Extra wide for data equipment mounting
- 100 pound, evenly distributed capacity
- Mounts on double-sided, 3"-channel racks only
- Mounting hardware not included



Double-Sided, Vented, Aluminum Shelf

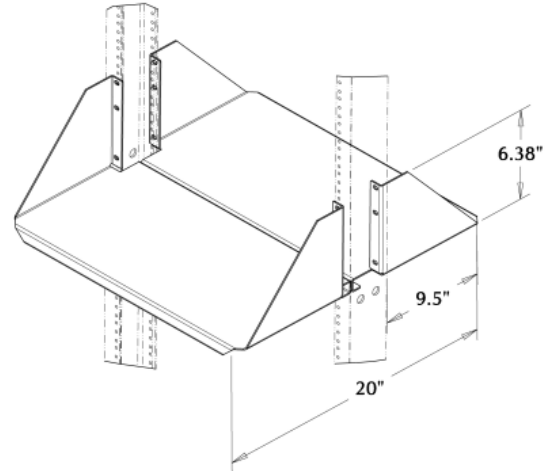
Part Number	Description	Depth
NDRS191125xx	Double-Sided Shelf 19" rack mount	21 ³ / ₄ "
NDRS231125xx	Double-Sided Shelf 23" rack mount	21 ³ / ₄ "
xx=Color 23 = Brushed Aluminum : 30 = Gray : 47 = Black		

- Sturdy, lightweight 0.09" aluminum construction
- Air-flow perforations
- Extra wide for data equipment mounting
- 100 pound, evenly distributed capacity
- Mounts on double-sided, 3"-channel racks only
- Mounting hardware not included

Heavy-Duty, Double-Sided, Aluminum Shelf

Part number	Description	Depth
NDRS191021xx	HD, Double-Sided Shelf 19" rack mount	20"
NDRS231021xx	HD, Double-Sided Shelf 23" rack mount	20"
xx=Color 23 = Brushed Aluminum : 30 = Gray : 47 = Black		

- Sturdy, lightweight 0.09" aluminum construction
- Extra wide for data equipment mounting
- 200 pound, evenly distributed capacity
- Mounts on double-sided, 3"-channel racks only
- Mounting hardware not included



Mounting Hardware

Part number	Quantity
2192640211	50



- #12-24 x 1/2" (16mm) screw size, Grade 5 steel
- Tapered end ensures easy "hole finding" and avoids cross-threading
- Combination head for use with flat head and Phillips head screwdrivers
- Clear zinc finish