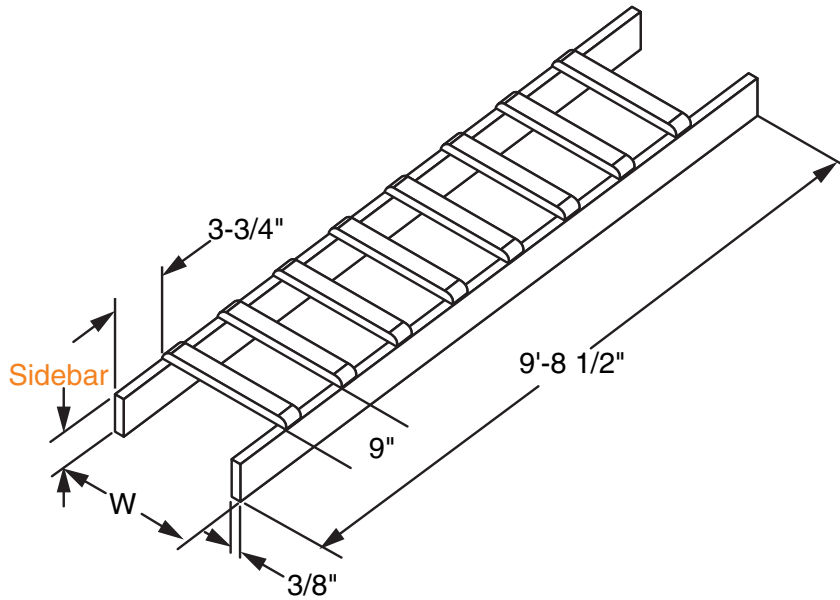


**CABLE RACK, BAR TYPE**

Modified:07/18/2014



**Ordering Table**

1-1/2" Sidebar	2" Sidebar	W
00200201xx	00200216xx	5"
00200202xx	00200217xx	6"
00200203xx	00200218xx	9"
00200204xx	00200219xx	10"
00200205xx	00200220xx	11"
00200206xx	00200221xx	12"
00200207xx	00200222xx	15"
00200208xx	00200223xx	18"
00200209xx	00200224xx	20"
00200210xx	00200225xx	21"
00200211xx	00200226xx	24"
00200212xx	00200227xx	25"
00200213xx	00200228xx	27"
00200214xx	00200229xx	30"
00200215xx	00200230xx	36"

**Notes:**

- XX = finish code; standard finish, XX = 30.
- Dimension a = side bar height.
- Certified as meeting National Electric Code (NEC) requirements for use as an Equipment Grounding Conductor [NEC article 318-7; table 318-7 (b) (2)]; file number E112147 Certification label must not be removed.
- Material: steel 1-1/2" Solid side bar equipment grounding conductor (EGC) cross-section equals 1.12 square inches 2" solid side bar equipment grounding conductor (EGC) cross-section equals 1.50 square inches.