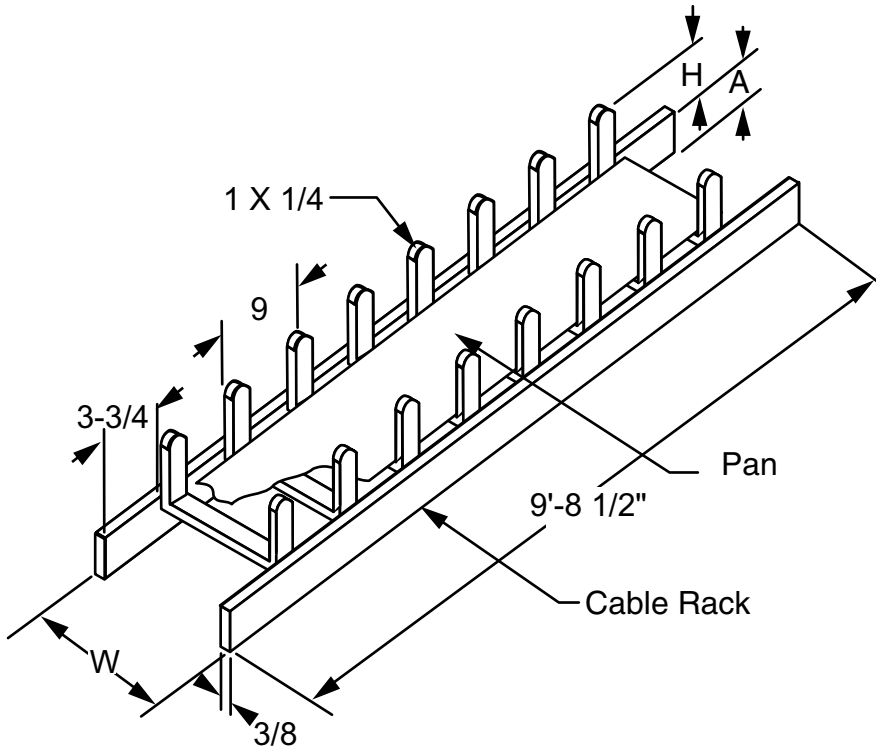


CABLE RACK, TROUGH TYPE, WITH 1-1/2" & 2" SIDE BAR

Sales Sheet Modified:01/30/2017



1-1/2" Side Bar Ordering Table

Part Number	Width	Height
00200401xx	5"	5"
00200402xx	6"	5"
00200403xx	10"	8"
00200404xx	12"	8"
00200405xx	15"	8"
00200406xx	18"	8"
00200407xx	22"	8"
00200408xx	24"	8"
00200409xx	30"	8"
00200410xx	36"	8"

2" Side Bar Ordering Table

Part Number	Width	Height
00200421xx	5"	5"
00200422xx	6"	5"
00200423xx	10"	8"
00200424xx	12"	8"
00200425xx	15"	8"
00200426xx	18"	8"
00200427xx	22"	8"
00200428xx	24"	8"
00200429xx	30"	8"
00200430xx	36"	8"

Notes:

- XX = finish code; standard finish, XX = 30.
- Order cable rack and cable rack pan separately
- Certified as meeting National Electric Code (NEC) requirements for use as an equipment grounding conductor [NEC article 318-7; table 318-7 (b) (2)]; file number E112147. Certification label must not be removed.
- Material: steel 1-1/2" Solid side bar Equipment Grounding Conductor (EGC) cross-section equals 1.12 Square inches.