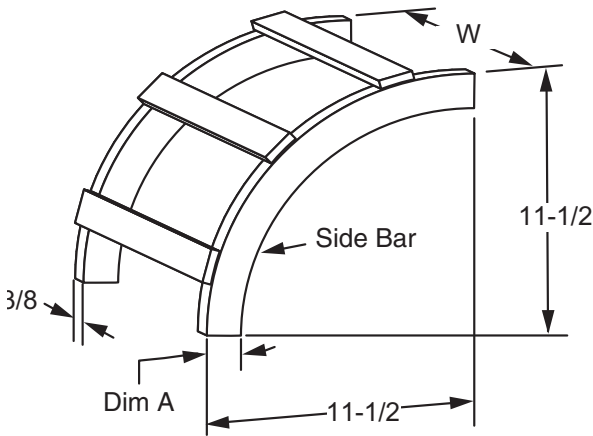


**CABLE RACK, 90° OUTSIDE BEND, BAR TYPE**

Modified:09/22/2009



	1-1/2" side bar (A)	2" side bar (A)	width (w)
<b>Ordering Table</b>	00200501xx	00200516xx	5"
	00200502xx	00200517xx	6"
	00200503xx	00200518xx	9"
	00200504xx	00200519xx	10"
	00200505xx	00200520xx	11"
	00200506xx	00200521xx	12"
	00200507xx	00200522xx	15"
	00200508xx	00200523xx	18"
	00200509xx	00200524xx	20"
	00200510xx	00200525xx	21"
	00200511xx	00200526xx	24"
	00200512xx	00200527xx	25"
	00200513xx	00200528xx	27"
	00200514xx	00200529xx	30"
	00200515xx	00200530xx	36"

**Notes:**

- XX = finish code; standard finish, XX = 30.
- Certified as meeting National Electric Code (NEC) requirements for use as an Equipment Grounding Conductor [NEC article 318-7; table 318-7 (b) (2)]. Certification label must not be removed.
- Material: steel 1-1/2" Solid side bar equipment grounding conductor (EGC) cross-section equals 1.12 square inches 2" Solid side bar Equipment Grounding Conductor (EGC) cross-section equals 1.50 Square inches.