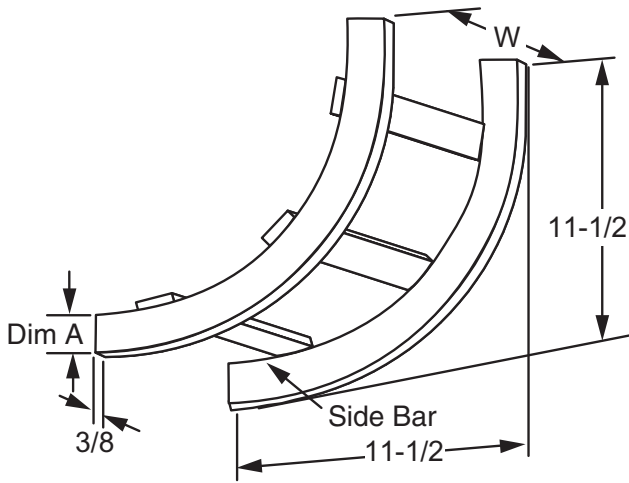


CABLE RACK, 90° INSIDE BEND, BAR TYPE

Modified:09/22/2009



	1-1/2" side bar (A)	2" side bar (A)	width (w)
Ordering Table	00200601xx	00200616xx	5"
	00200602xx	00200617xx	6"
	00200603xx	00200618xx	9"
	00200604xx	00200619xx	10"
	00200605xx	00200620xx	11"
	00200606xx	00200621xx	12"
	00200607xx	00200622xx	15"
	00200608xx	00200623xx	18"
	00200609xx	00200624xx	20"
	00200610xx	00200625xx	21"
	00200611xx	00200626xx	24"
	00200612xx	00200627xx	25"
	00200613xx	00200628xx	27"
	00200614xx	00200629xx	30"
	00200615xx	00200630xx	36"

Notes:

- XX = finish code; standard finish, XX = 30.
- Certified as meeting National Electric Code (NEC) requirements for use as an Equipment Grounding Conductor [NEC article 318-7; table 318-7 (b) (2)]. Certification label must not be removed.
- Material: steel 1-1/2" Solid side bar equipment grounding conductor (EGC) cross-section equals 1.12 square inches 2" Solid side bar Equipment Grounding Conductor (EGC) cross-section equals 1.50 Square inches.