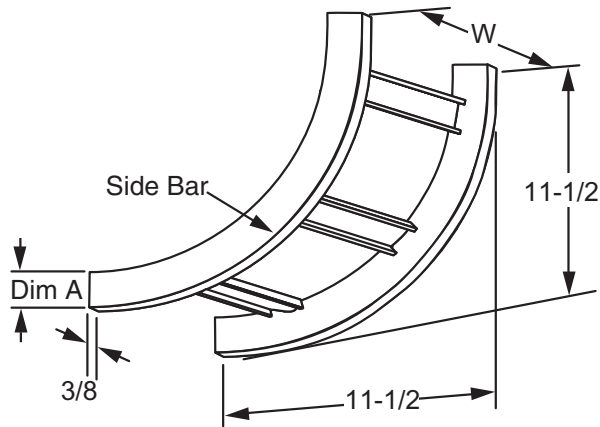


**CABLE RACK, 90° INSIDE BEND, CHANNEL TYPE**

Modified:09/22/2009



	1-1/2" side bar (A)	2" side bar (A)	width (w)
<b>Ordering Table</b>	00200801xx	00200816xx	5"
	00200802xx	00200817xx	6"
	00200803xx	00200818xx	9"
	00200804xx	00200819xx	10"
	00200805xx	00200820xx	11"
	00200806xx	00200821xx	12"
	00200807xx	00200822xx	15"
	00200808xx	00200823xx	18"
	00200809xx	00200824xx	20"
	00200810xx	00200825xx	21"
	00200811xx	00200826xx	24"
	00200812xx	00200827xx	25"
	00200813xx	00200828xx	27"
	00200814xx	00200829xx	30"
	00200815xx	00200830xx	36"

**Notes:**

- XX = finish code; standard finish, XX = 30.
- Certified as meeting National Electric Code (NEC) requirements for use as an Equipment Grounding Conductor [NEC article 318-7; table 318-7 (b) (2)]. Certification label must not be removed.
- Material: steel 1-1/2" Solid side bar equipment grounding conductor (EGC) cross-section equals 1.12 square inches 2" Solid side bar Equipment Grounding Conductor (EGC) cross-section equals 1.50 Square inches.