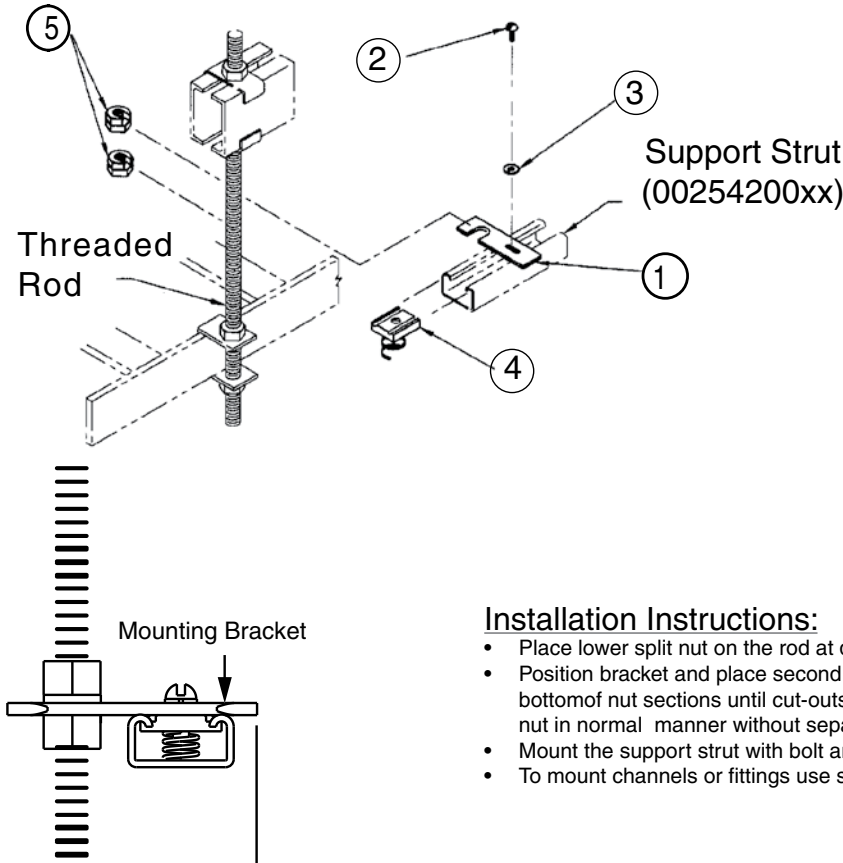


THREADED ROD MOUNTING KIT - STRUT

Modified:07/20/2011



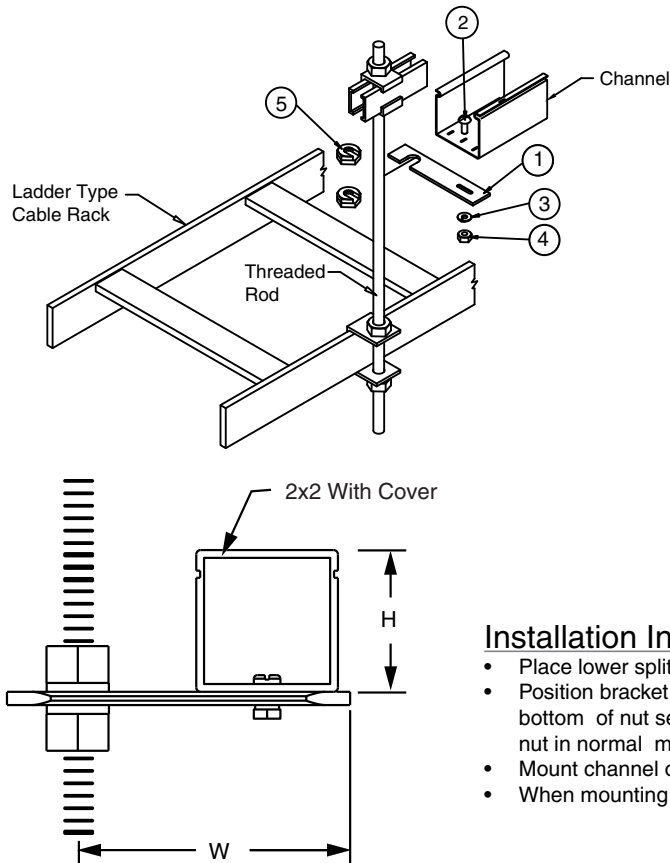
	part number	w	threaded rod
Ordering	0025520210	5.2	5/8
	0025520310	2.85	1/2"
	0025520410	2.85	5/8"

	Item	Qty	Description
Stock List	1	1	bracket
	2	1	1/4-20 rhms
	3	1	1/4 helical washer
	4	1	1/4-20 spring lock washer
	5	2	split hex nut

Installation Instructions:

- Place lower split nut on the rod at desired level.
- Position bracket and place second split nut directly above the bracket. To place nuts, rotate top and bottom of nut sections until cut-outs are aligned, place nut and rotate top section 1/3 turn. Tighten nut in normal manner without separately tightening top section against bottom section of nut.
- Mount the support strut with bolt and spring nut.
- To mount channels or fittings use strut straight bracket mounting kit (0025560110 or 0025560210).

THREADED ROD MOUNTING KIT - CHANNEL



	part number	H	W	channel	threaded rod
	0025520510	2 (51)	3.8 (97)	2x2	1/2"
	0025520610	2 (51)	3.8 (97)	2x2	5/8"
	0025520710	4 (102)	5 (127)	4x4	1/2"
	0025520810	4 (102)	5 (127)	4x4	5/8"

	Item	Qty	Description
Stock List	1	1	bracket
	2	ar	10-32 x 1/2" rhms
	3	ar	helical spring lock washer
	4	ar	10-32 hhn
	5	2	slip nut

Installation Instructions:

- Place lower split nut on the rod at desired level.
- Position bracket and place second split nut directly above the bracket. To place nuts, rotate top and bottom of nut sections until cut-outs are aligned, place nut and rotate top section 1/3 turn. Tighten nut in normal manner without separately tightening top section against bottom section of nut.
- Mount channel or fitting with 10-32 hardware.
- When mounting a fitting, one or two 13/64" holes must be drilled in the fitting.