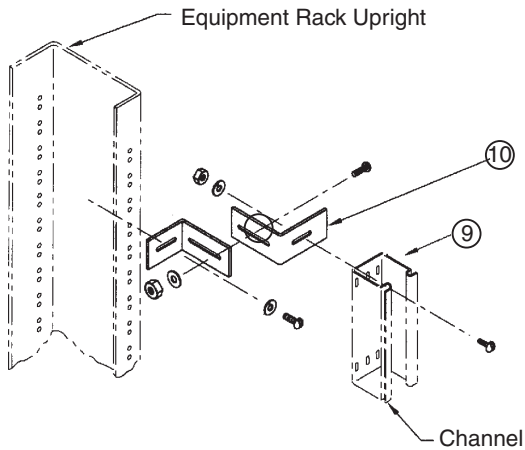


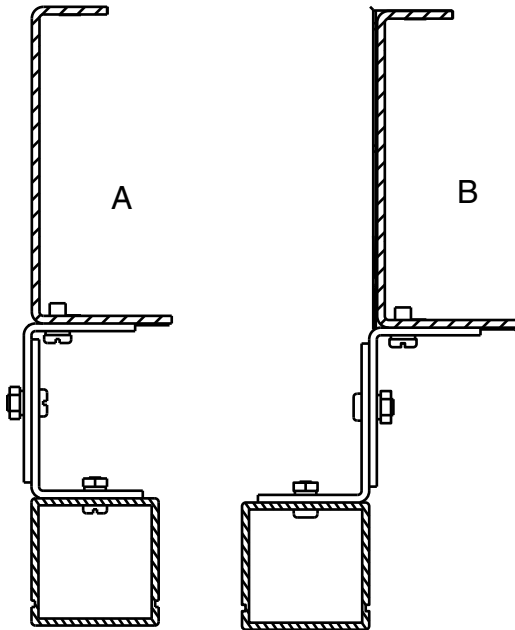
EQUIPMENT RACK VERTICAL MOUNTING KIT - CHANNEL

Modified:10/14/2009



	part number	channel
Ordering	0025580110	2x2
	0025580210	4x4

	Item	Qty	Description
Stock List	1	2	bracket
	2	2	12-24 x 1/2 rhms
	3	2	12 helical spring lock washer
	4	1	12-24 hhn
	5	ar	10-32 x 1/2 rhms
	6	ar	10 helical spring lock washer
	7	ar	10-32 hhn



0025580110: Installation instructions:

- Install one I-bracket to the equipment rack front or rear upright. Distance between brackets should be approximately two feet.
- Attach the second bracket to the first selecting the arrangement that provides the desired offset from the equipment rack.
- Install 2x2 channel with one 10-32 screw for each bracket.

0025580210: Installation instructions:

- Install one I-bracket to the equipment rack front or rear upright. Distance between brackets should be approximately two feet.
- Attach the second bracket to the first selecting the arrangement that provides the desired offset from the equipment rack.
- Install 4x4 channel with two 10-32 screws for each bracket.