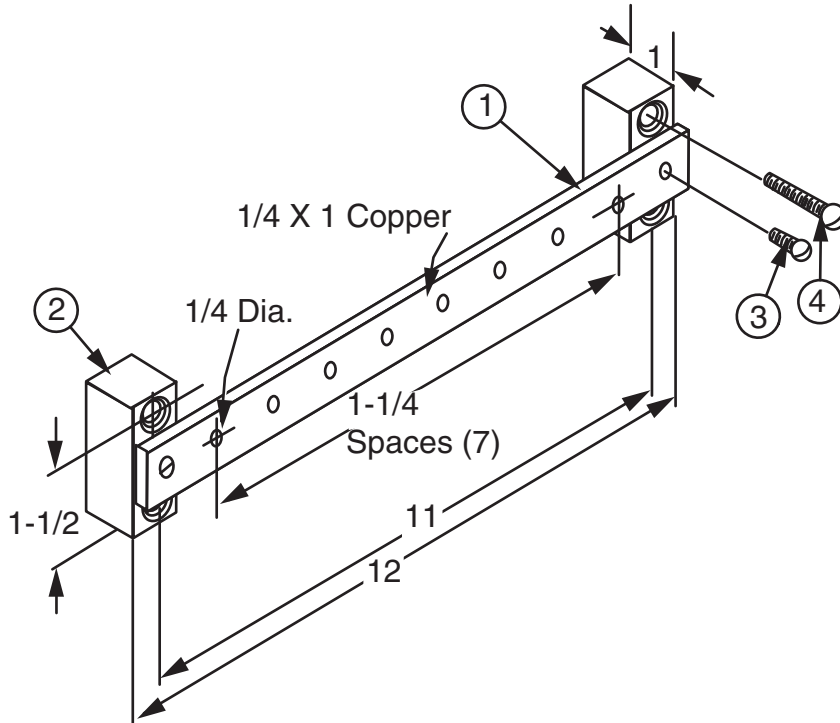


**INSULATING GROUND BAR, 1/4" X 1" X 12" (COPPER)**

Modified:09/22/2009



part number	
Ordering	0030590000

Stock List		
Item	Qty	Description
1	1	ground bar
2	2	insulator
3	2	1/4"-20 x 1/2" rhms
4	4	1/4"-20 x 1-1/2" rhms