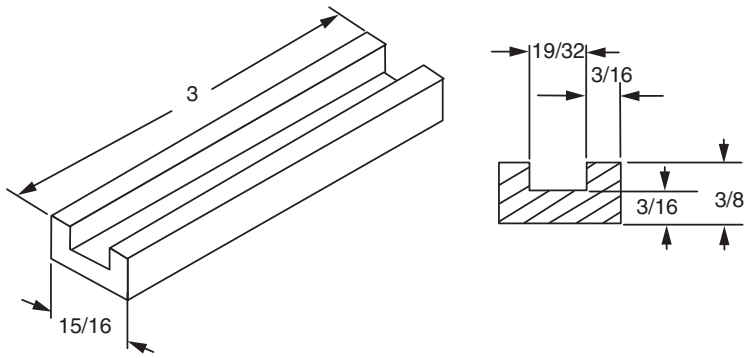


**2" X 9/16" X 3/16" CHANNEL INSULATOR**

Modified:09/22/2009



part number	
Ordering	0030660000