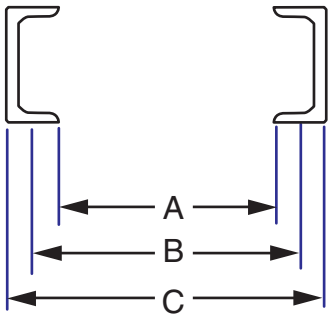


**EQUIPMENT RACK, CHANNEL TYPE, FLOOR SUPPORTED - TELCO**

Modified:11/04/2009

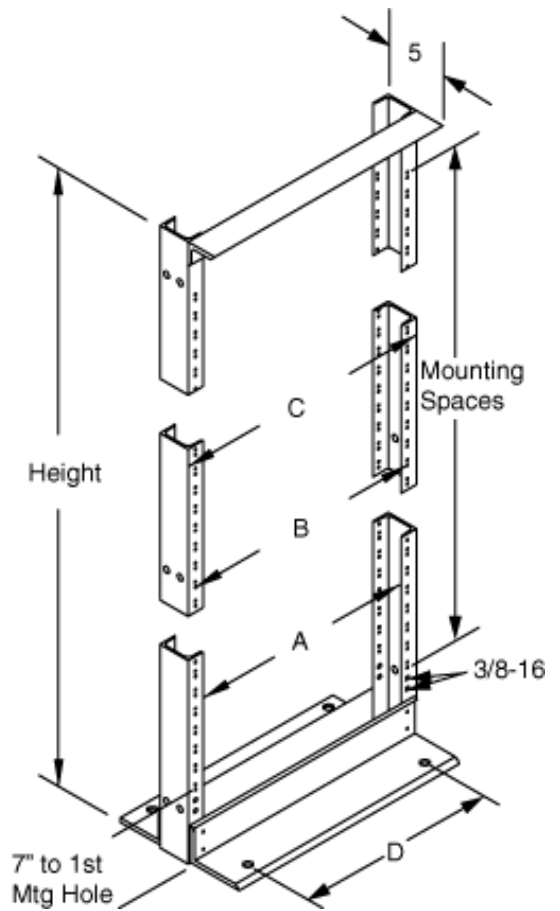


Upright Profile

DIMENSION	19"	23"
A	17-1/2"	21-1/2"
B	18-5/16"	22-5/16"
C	20-5/16"	24-5/16"
D	16"	20"

**Notes:**

- Hole are tapped 12-24
- Other colors are available, call your CSR for more information.



**10 Digit Ordering Number**

- Figure No. + Dash No. + Finish Code = Part Number
- 8' X 1-3/4" X 19" Double Sided Steel Equipment Rack With A Te Gray Finish would be 004010 + 03 + 30 =0040100330

Figure Number	Description	Dash Number	Height	Mtg. Spaces	Material	Assembly	Color Code	Description
004010	1-3/4" mtg x 19" double side	01	7'-0"	42	steel	welded	30	TE Gray
004011	1-3/4" mtg x 23" double side	02	7'-6"	46	steel	welded		
		03	8'-0"	49	steel	welded		
		04	9'-0"	56	steel	welded		
		05	11'-6"	73	steel	welded		
		06	11'-8"	74	steel	welded		
		07	7'-0"	42	steel	bolted		
		08	7'-6"	46	steel	bolted		
		09	8'-0"	49	steel	bolted		
		10	9'-0"	56	steel	bolted		
		11	11'-6"	73	steel	bolted		
		12	11'-8"	74	steel	bolted		
		13	7'-0"	42	aluminum	bolted		
		14	7'-6"	46	aluminum	bolted		
		15	8'-0"	49	aluminum	bolted		
		16	9'-0"	56	aluminum	bolted		
		17	11'-6"	73	aluminum	bolted		
		18	11'-8"	74	aluminum	bolted		