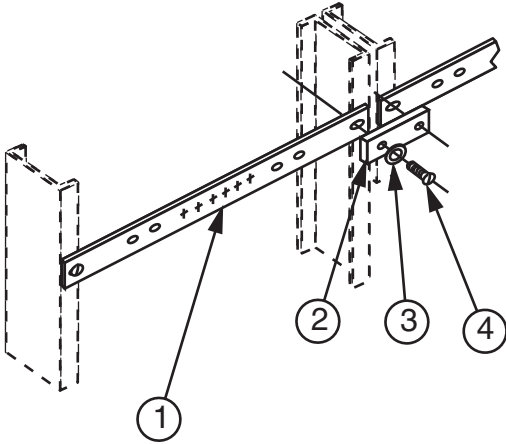


**RACK GROUND BAR - 3" CHANNEL RACK**

Modified:10/14/2009



	Item	Qty	Description
<b>Stock List</b>	1	1	ground bar
	2	1	splice *
	3	2	no. 12 flat washer
	4	2	12-24 x 3/4" rhms
	5	8	6-32 x 1/4" rhms*
	6	8	ground bar lug

	part number	Rack
<b>Ordering Table</b>	0040280013	19
	0040290013	23

**Notes:**

- \* Indicates copper part.