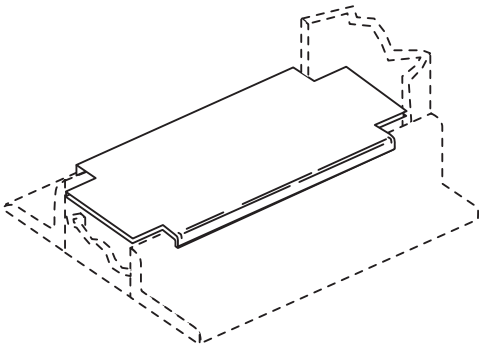


**DUST COVER FOR FLOOR SUPPORTED EQUIPMENT RACK**

Modified:09/22/2009



	part number	rack size
<b>Ordering Table</b>	00403301xx	19"
	00403302xx	23"

**Notes:**

- XX= Finish Code; Standard Finish, XX=30.