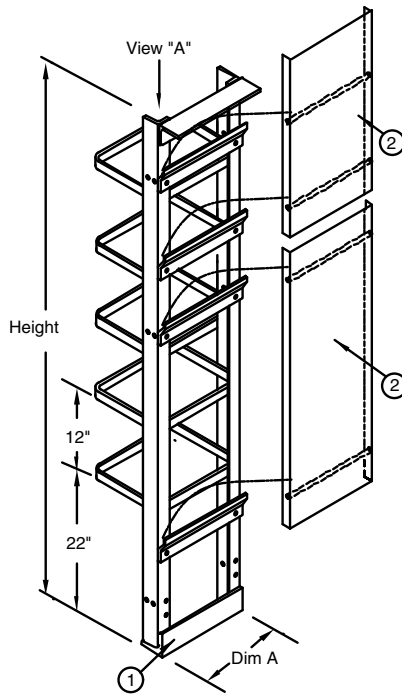
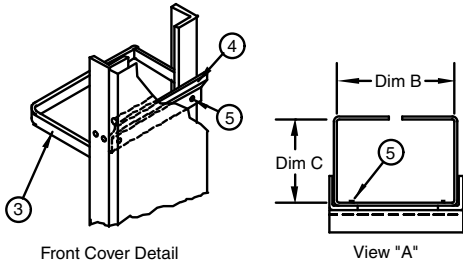


CABLING SECTION

Modified:09/23/2022



Ordering Table	part number	height	A	B	C	stock list
	00404901xx	7'-0"	6	5	6	1
00404902xx	7'-6"	6	5	6	2	
00404903xx	8'-0"	6	5	6	3	
00404904xx	9'-0"	6	5	6	4	
21118101xx	8'-8"	6	5	6	5	
21118102xx	9'-6"	6	5	6	6	
21118104xx	6'-6"	6	5	6	7	
00405001xx	7'-0"	8	7"	6-1/2"	1	
00405002xx	7'-6"	8	7"	6-1/2"	2	
00405003xx	8'-0"	8	7"	6-1/2"	3	
00405004xx	9'-0"	8	7"	6-1/2"	4	

Stock List	Item	Description	stock list						
			1	2	3	4	5	6	7
	1	cable trough	1	1	1	1	1	1	1
	2	cover	1	1	1	2	1	2	1
	3	"D" ring	6	6	6	7	7	7	5
	4	cover mounting clip	2	2	2	4	2	4	2
	5	12-24 x 7/16" phms	14	16	16	22	18	22	14

Notes:

- XX= finish code; standard finish, xx= 30.
- Order accessories as required.
- Unless otherwise specified, cabling sections will be supplied with materials shown on stock list.
- Holes in side of cabling section are for joining to rack or for mounting ladder end guards.
- Special widths and heights available on request.
- Steel