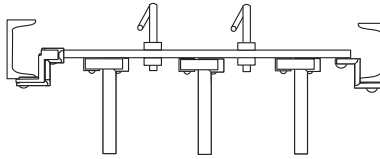
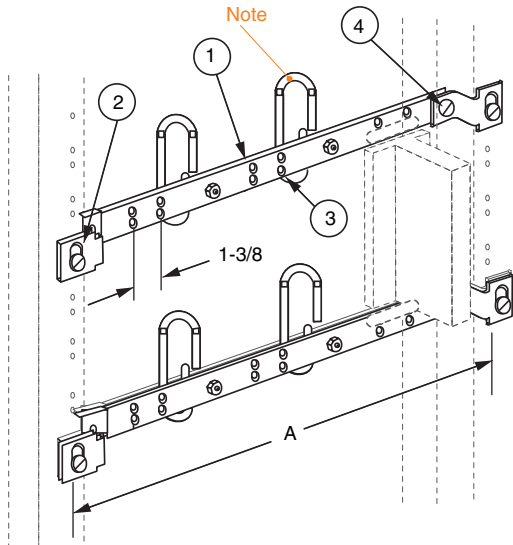


MOUNTING BARS FOR VERT. MNT. TERMINAL BLOCKS TO EQ RACKS (STATIONARY)

Sales Sheet Modified:08/11/2015



Notes:

- For this first row of blocks, order two (2) of this figure. For each additional row, order only one (1) mounting bar. Order jumper rings (if needed) separately; refer to 005045.

Ordering Table

Part Number	A	Block MTG Spaces	Jumper Rings
0040670110	18-5/16"	3	2
0040670210	22-5/16"	3	2
0040670310	27-1/16"	4	3
0040670410	27-1/16"	5	4

Stock List

Item	QTY	Description
1	1	terminal block mtg bar
2	2	end clip
3	2	12-24 x 3/4" phms
4	2	1/4-20 x 5/8" rhms