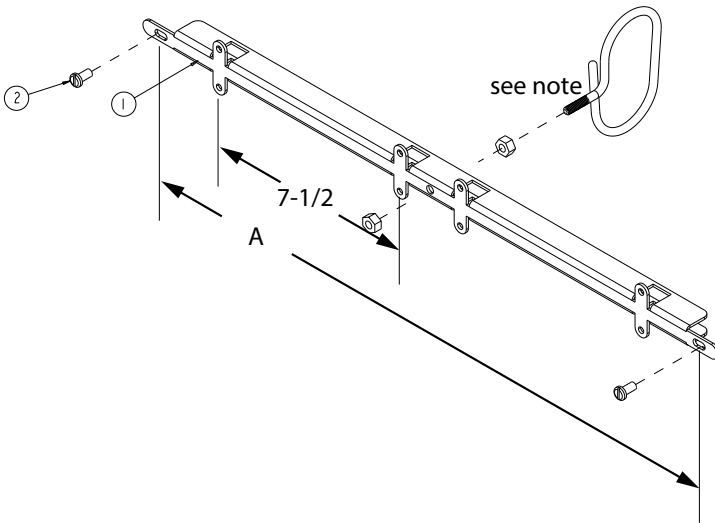


MOUNTING BARS FOR HORZ. MOUNTING TERMINAL BLOCKS TO EQ RACKS (STATIONARY) Sales Sheet Modified:11/27/2017



Ordering Table

Part Number	Description
00406801xx	18-5/16"
00406802xx	22-5/16"
00406803xx	27-1/16"

For swivel mount see **205252xxxx series**.

Stock List

Item	QTY	Description
1	1	mounting bars
2	2	12-24 x 1/2 phms

Notes:

- XX = finish code; standard finish, xx= 30.
- Bar will mount two terminal blocks .
- Order jumper ring separately (if needed); refer to 005045.