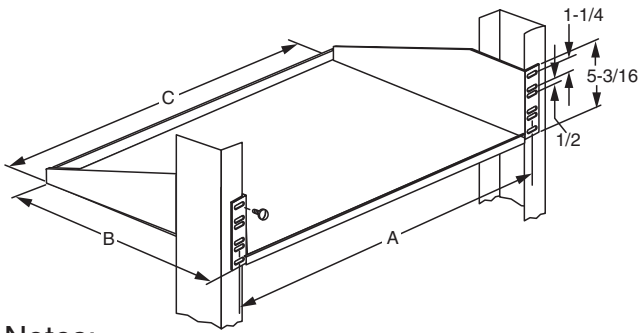


EQUIPMENT SHELF

Modified:10/08/2009



Notes:

- XX= finish code; standard finish, xx= 30.
- Other shelf sizes available upon request.
- Steel

	part number	rack size	A	B	C	phms
Ordering Table	00407701xx	19"	18-5/16"	10	17-3/8"	12
	00407702xx	19"	18-5/16"	12	17-3/8"	12
	00407703xx	19"	18-5/16"	15	17-3/8"	12
	00407704xx	23"	22-5/16"	10	21-3/8"	12
	00407705xx	23"	22-5/16"	12	21-3/8"	12
	00407706xx	23"	22-5/16"	15	21-3/8"	12
	21050501xx	19"	18-5/16"	24	17-3/8"	12
	21050502xx	23"	22-5/16"	20	21-3/8"	12
	21050504xx	19"	18-5/16"	18	17-3/8"	12