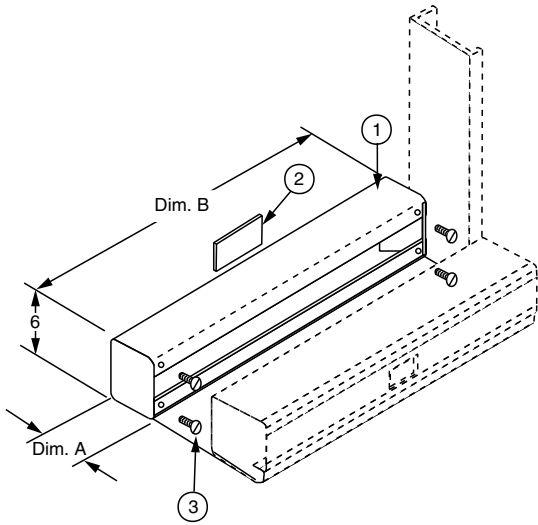


REAR GUARD RAIL WITH APPLIANCE OUTLET CUTOUT - UFER

Modified:09/29/2010



| | part number | A | B |
|-----------------------|-------------|-----|-----------|
| Ordering Table | 00410401 XX | 1" | 21-15/16" |
| | 00410402 XX | 2" | 21-15/16" |
| | 00410403 XX | 5" | 21-15/16" |
| | 00410404 XX | 8" | 21-15/16" |
| | 00410501 XX | 1" | 25-15/16" |
| | 00410502 XX | 2" | 25-15/16" |
| | 00410503 XX | 5" | 25-15/16" |
| | 00410504 XX | 8" | 25-15/16" |
| | 00410520XX | 20" | 25-15/16" |

| | Item | Qty | Description |
|-------------------|------|-----|------------------|
| Stock List | 1 | 1 | guard rail |
| | 2 | 1 | outlet cover |
| | 3 | 4 | 8-32 x 1/2" phms |

Notes:

- XX= finish code; standard finish, XX= 31.