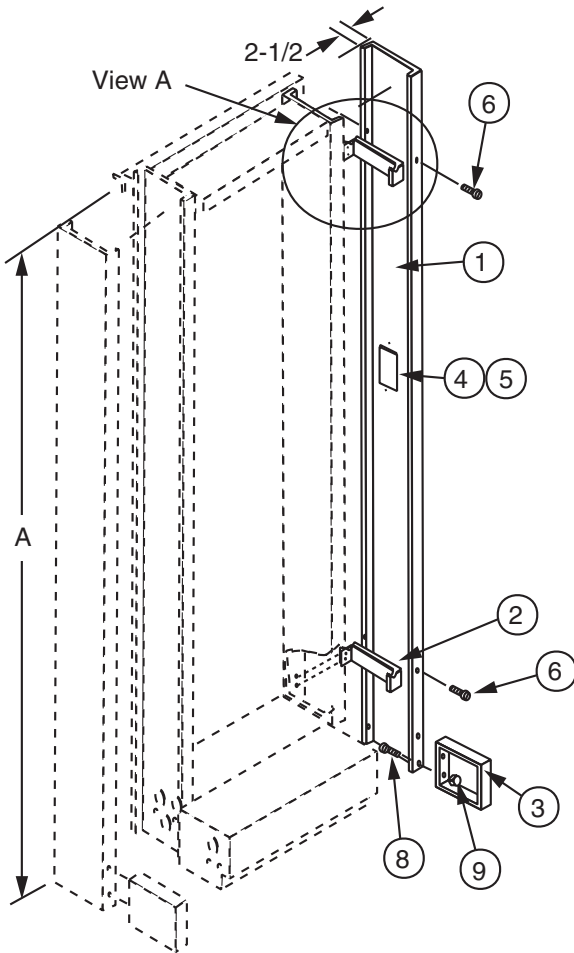


END COVER FOR OPEN OR CLOSED DUCT UNEQUAL FLANGE RACK

Modified:09/22/2009



Ordering Table	part number	A
	00410801 XX	7'-0"
	00410802 XX	7'-6"
	00410803 XX	8'-0"
	00410804 XX	9'-0"
	00410805 XX	11'-6"
	00410806 XX	11'-8"

Stock List	Item	Qty	Description
	1	1	end cover
	2	ar	junction plate
	3	1	guard rail end cover
	4	1	cover plate
	5	ar	12-24 x 1/4 phms
	6	2	8-32 hex nut
	7	2	8-32 x 3/8" rhms

Notes:

- XX= finish code; standard finish, XX= 31.
- Cover fits either end of rack. Order one per end to be covered.