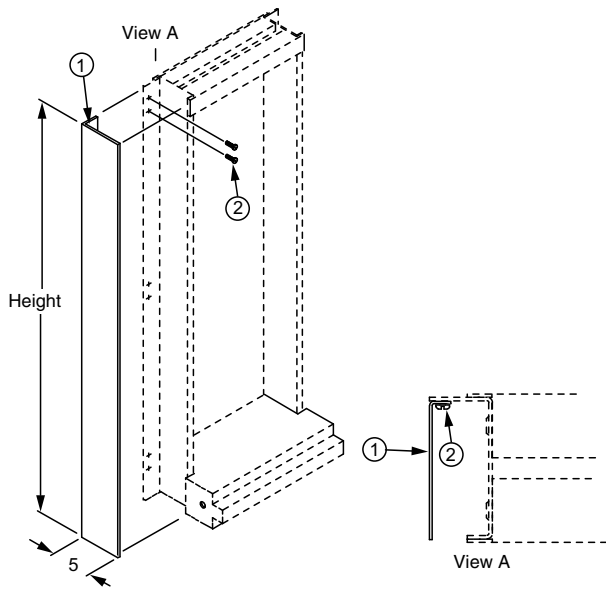


END SHIELD, 5"

Modified:06/11/2013



	part number	height	stock list
Ordering Table	00433901 XX	7'-0"	1
	00433902 XX	7'-6"	2
	00433903 XX	8'-0"	3
	00433904 XX	9'-0"	4
	00433905 XX	11'-6"	5

	Item	qty	Description
Stock List	1	1	End Shield
	4	6	12-24 x 1/4" PHMS

Notes:

- XX= finish code; standard finish, XX= 31.
- End shield fits either side of rack.