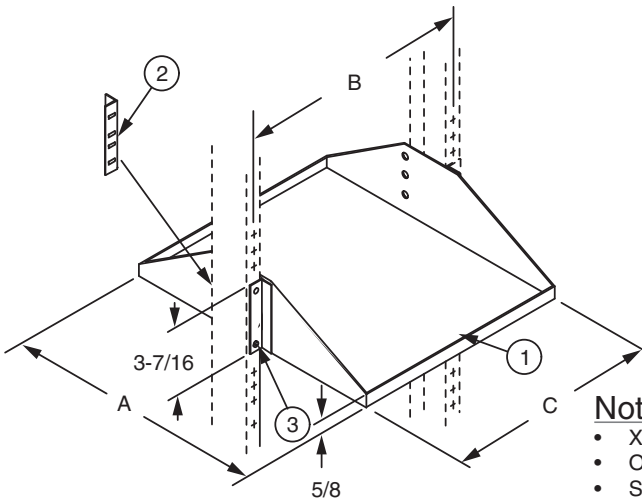


SHELF ASSEMBLY FOR 23" EQUIPMENT RACK

Modified:10/13/2009



Notes:

- XX= finish code; standard finish, xx= 30.
- Other shelf sizes available upon request.
- Steel

	part number	A	B	C
Ordering	00453001xx	15-1/2"	22-5/16"	21-1/4"
	00453002xx	21"	22-5/16"	21-1/4"
	00453003xx	25"	22-5/16"	21-1/4"
	21021800xx	22-1/4"	18-5/16"	17-1/4"
	20824200xx	20"	18-5/16"	17-1/4"

	Item	Qty	Description
Stock List	1	1	shelf
	2	2	mounting bracket
	3	22	12-24 x 1/2" phms
	4	6	12-24 hex nut