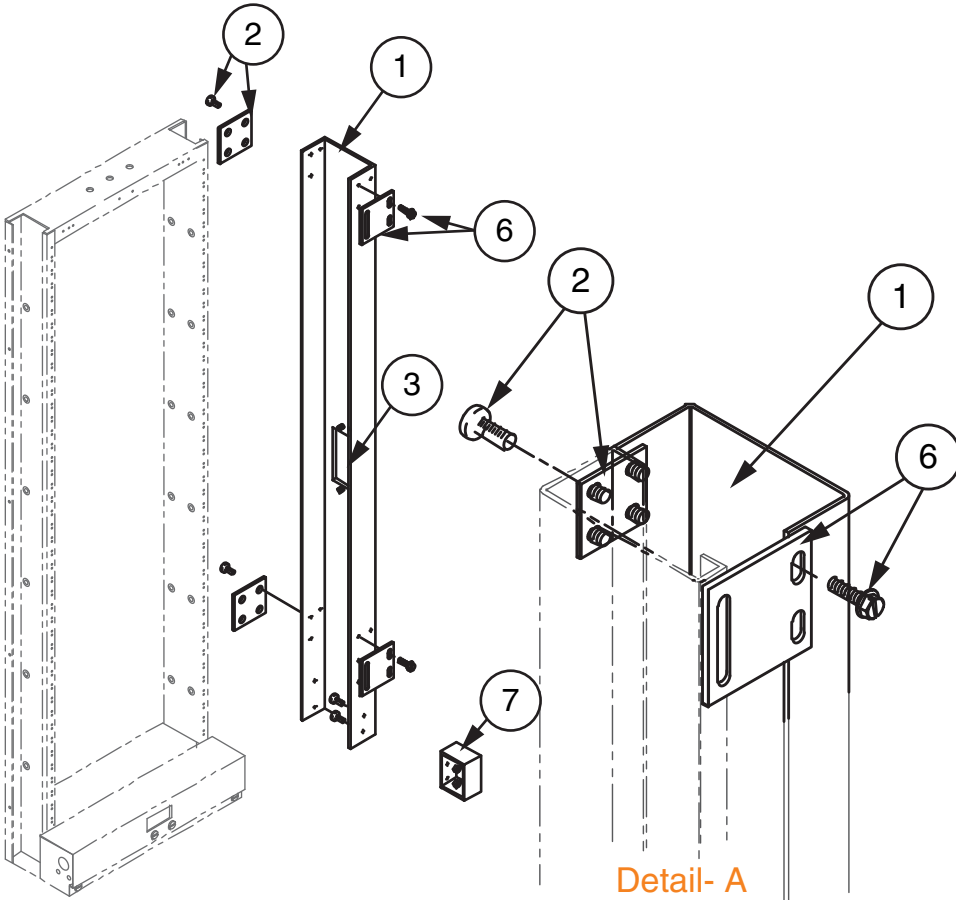


**SEISMIC UFER END GUARD COVER ASSEMBLY (BOLT ON)**

Sales Sheet Modified:10/18/2018



**Ordering Table**

Part Number	A
00461701xx	7'-0"
00461702xx	7'-6"
00461703xx	8'-0"
00461704xx	9'-0"
00461705xx	11'-6"
00461706xx	11'-8"

**Stock List**

Item	QTY	Description
1	1	End Cover
2	2	Junction Plate Kit
3	1	Cover Plate
4	2	8-32 X 3/8" RHMS
5	AR	12-24 X 1/4" PHMS
6	2	Mounting Bracket Kit
7	1	End Cover Box
8	2	8-32 Hex Nut

**Notes:**

- XX = finish code; standard finish, xx = 31.
- For use with 004600 series, UFER version of 004900 and 008000 series racks.
- When used with a Network Bay, Item 7 is discarded.