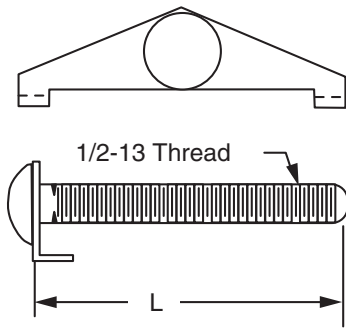


SPANNER J-BOLT

Modified:07/20/2010



Notes:

- Finish is zinc plated and gold chromate.
- Dimensions are nominal.
- Special sizes available upon request.
- Bolt is fully threaded.

	part number	L
Ordering Table	0030260110	3-1/8"
	0030260210	3-3/8"
	0030260310	3-5/8"
	0030260410	4-3/8"
	0030260510	4-7/8"
	2023941110	5-3/8"
	2023941510	6-7/8"