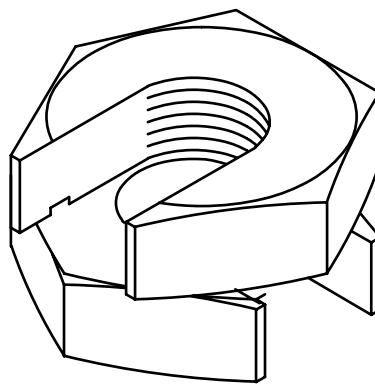


OPEN POSITION



CLOSED POSITION

ORDERING TABLE

ORDERING NUMBER	THREAD SIZE	RECOMENDED TORQUE
2116700111	1/2"-13	50-60 FT. LBS.
2116700211	5/8"-11	100-120 FT. LBS.

NOTES:

1. STANDARD FINISH IS ZINC PLATED AND CLEAR CHROMATE.
2. ® REGISTERED MARK OF SLIP-ON LOCK NUT CO.

ORDERING NUMBER: REFER TO TABLE

SLIP-ON LOCK NUT®

FIG. 211670