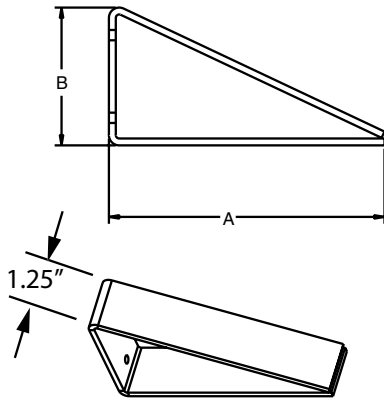


BUMPER GUARD KIT FOR NETWORK BAY

Modified:09/02/2020



**Notes:**

- XX= finish code; standard finish, xx= 64.

|                 | Figure #   | A   | B      |
|-----------------|------------|-----|--------|
| Ordering Number | 21653201xx | 6"  | 2-1/2" |
|                 | 21653202xx | 5"  | 2-1/2" |
|                 | 21653203xx | 2"  | 2-1/2" |
|                 | 21653204xx | 3"  | 2-1/2" |
|                 | 21653205xx | 4"  | 2-1/2" |
|                 | 21653206xx | 1"  | 2-1/2" |
|                 | 21653207xx | 8"  | 2-1/2" |
|                 | 21653208xx | 10" | 2-1/2" |
|                 | 21653209xx | 7"  | 2-1/2" |
|                 | 21653210xx | 9"  | 2-1/2" |
|                 | 21653211xx | 12" | 2-1/2" |
|                 | 21653214xx | 14" | 2-1/2" |