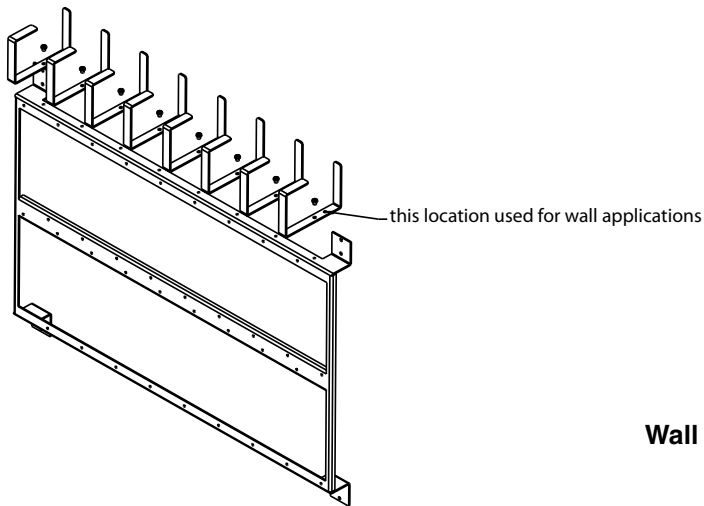


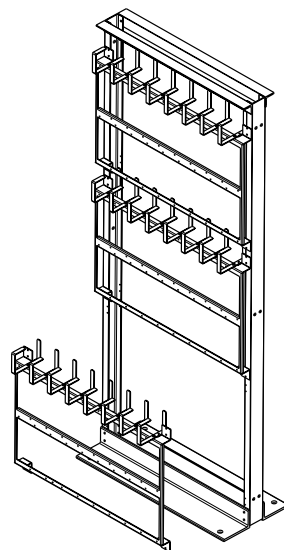
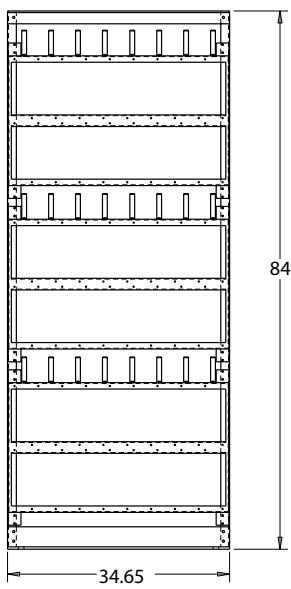
QUICK CONNECT FRAME

Modified:05/25/2010

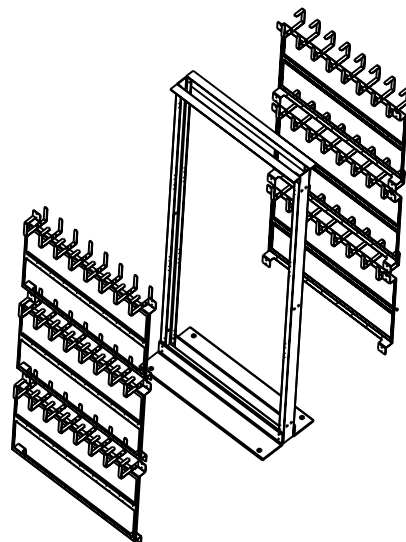
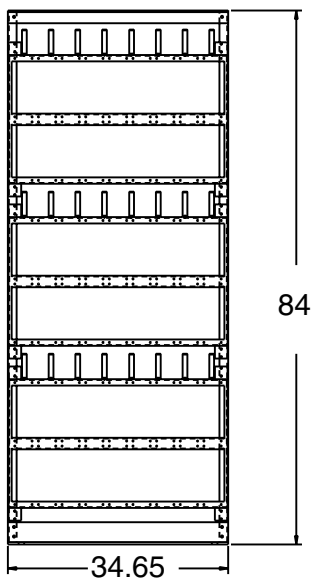


Wall mounted

	Part Number	type
Ordering Table	21726100xx	wall mount
	21726101xx	double sided
	21726102xx	single sided



Single sided

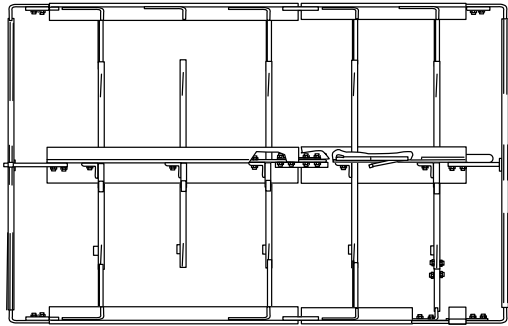


Double sided

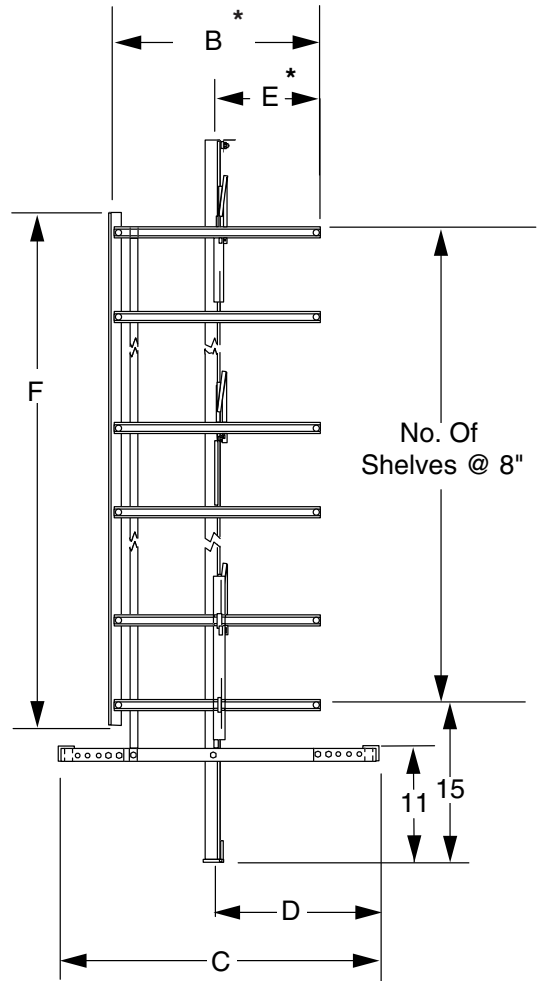
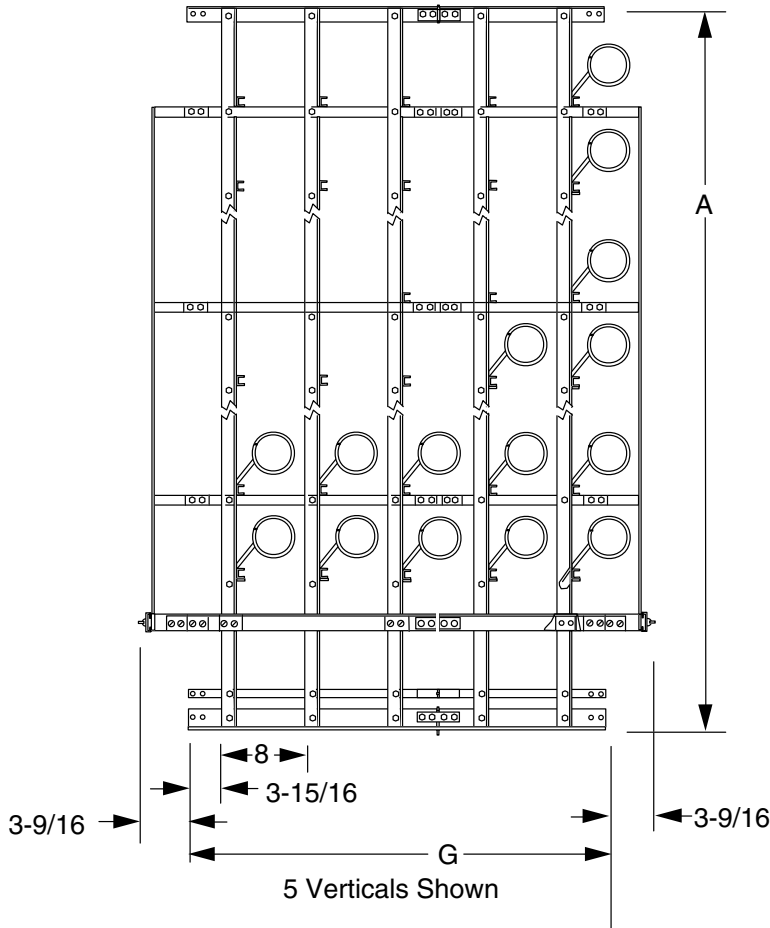


UNIVERSAL DISTRIBUTING FRAME, DOUBLE SIDED

Modified:01/08/2010



* B & E dimensions are overall and horizontal side lengths of shelves including protector bar or terminal block swivel clips which are not shown.



	Part Number	Height A	Shelf Width B	Guard Rail Width C	D	E	F	# Of Horz. Shelves
	Ordering	206993	7'-0"	20-1/2"	30-1/2" - 36-1/2"	15-3/4" - 18-3/4"	10-3/4"	68"
207541		7'-0"	26-1/2"	36-1/2" - 42-1/2"	19-3/4" - 22-3/4"	14-3/4"	68"	9
207545		7'-0"	32-1/2"	42-1/2" - 48-1/2"	23-3/4" - 26-3/4"	18-3/4"	68"	9
005005		8'-0"	20-1/2"	30-1/2" - 36-1/2"	15-3/4" - 18-3/4"	10-3/4"	76"	10
005006		8'-0"	26-1/2"	36-1/2" - 42-1/2"	19-3/4" - 22-3/4"	14-3/4"	76"	10
005007		8'-0"	32-1/2"	42-1/2" - 48-1/2"	23-3/4" - 26-3/4"	18-3/4"	76"	10
005008		9'-0"	20-1/2"	30-1/2" - 36-1/2"	15-3/4" - 18-3/4"	10-3/4"	92"	11
005009		9'-0"	26-1/2"	36-1/2" - 42-1/2"	19-3/4" - 22-3/4"	14-3/4"	92"	11
005010		9'-0"	32-1/2"	42-1/2" - 48-1/2"	23-3/4" - 26-3/4"	18-3/4"	92"	11
005011		11'-6"	20-1/2"	30-1/2" - 36-1/2"	15-3/4" - 18-3/4"	10-3/4"	124"	15
005012		11'-6"	26-1/2"	36-1/2" - 42-1/2"	19-3/4" - 22-3/4"	14-3/4"	124"	15
005013		11'-6"	32-1/2"	42-1/2" - 48-1/2"	23-3/4" - 26-3/4"	18-3/4"	124"	15
005014		11'-8"	20-1/2"	30-1/2" - 36-1/2"	15-3/4" - 18-3/4"	10-3/4"	124"	15
005015		11'-8"	26-1/2"	36-1/2" - 42-1/2"	19-3/4" - 22-3/4"	14-3/4"	124"	15
005016		11'-8"	32-1/2"	42-1/2" - 48-1/2"	23-3/4" - 26-3/4"	18-3/4"	124"	15

dash number	description	F
01	Group of 1 vert.	7-7/8"
02	Group of 2 vert.	15-7/8"
03	Group of 3 vert.	23-7/8"
04	Group of 4 vert.	31-7/8"
05	Group of 5 vert.	39-7/8"
06	Group of 6 vert.	47-7/8"
07	Group of 7 vert.	55-7/8"
08	Group of 8 vert.	63-7/8"
09	Group of 9 vert.	71-7/8"
10	Group of 10 vert.	79-7/8"
11	Junction Kit	--
12	Left End Guard	--
13	Right End Guard	--
30	IDF Vertical	--
40	MDF Vertical	--

10 DIGIT ORDERING NUMBER

Figure no. + Dash no. + Finish code = part number

005005 + 03 + 30 =0050050330

(8' distribution frame with a 20-1/2" shelf, a group of 3, TE gray finish)

Customer must specify "MDF" or "IDF" or a combination of the two for each frame. See note.

Features for 005005 - 005016:

- Same basic vertical design for mdf and idf frames.
- Swivel type mtg. Bracket accepts end or center mount terminal block.
- Welded assembly with bolt-on frame components and accessories.
- Universal terminal block mounting brackets and protector bars.
- Mdf and idf verticals can be intermixed in a continuous frame line-up.

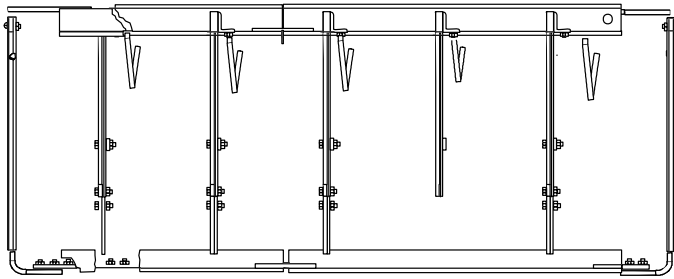
Notes:

- Xx= finish code; standard finish, xx= 30.
- Frames supplied with adjustable guard rails, ground bar, and guide loops.
- Customer should specify idf verticals when using terminal blocks on vertical and horizontal sides of frame. Idf vertical comes equipped with newton universal swivel type terminal block mounting bracket.
- Customer should specify mdf verticals when using protector/connectors on vertical side of frame and terminal block on horizontal side of frame. Mdf vertical comes equipped with newton universal protector bar.
- For applications requiring more than ten verticals, order two frames that total the required number. (For 19 verticals, as an example, order one each 00500509xx and one each 00500510xx.)

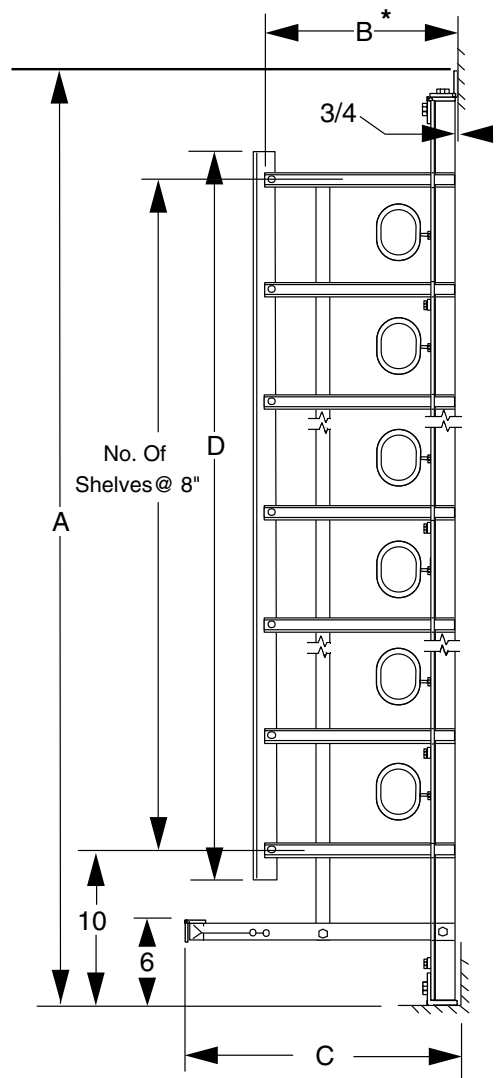
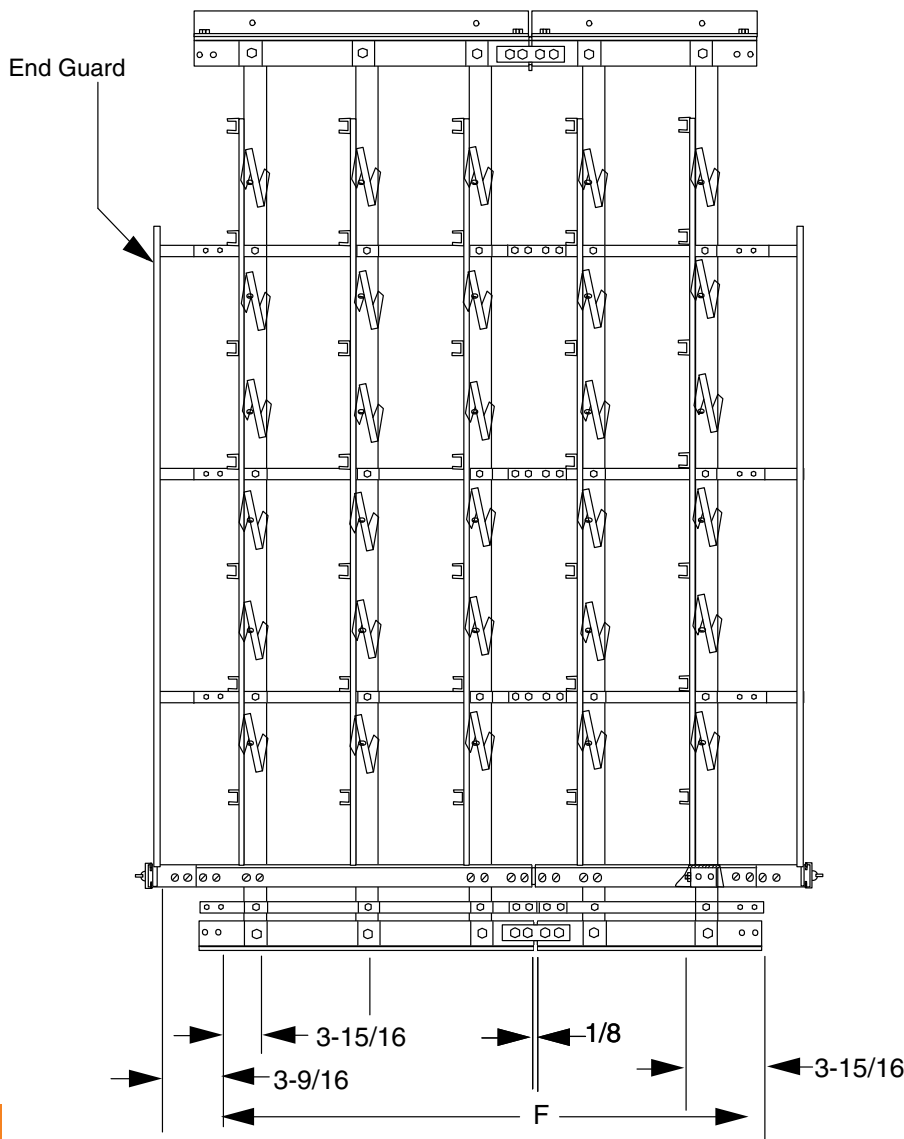


UNIVERSAL DISTRIBUTING FRAME, SINGLE SIDED

Modified:02/06/2013



* B dimension is length of shelf including protector bar or terminal block swivel clips which are not shown.



	Part Number	Height A	Shelf Width B	Guard Rail Width C	D	No. Of Horiz. Shelves
Ordering Table	005025	6'-0"	9"	13" - 16"	60"	8
	005026	6'-0"	14"	19" - 22"	60"	8
	005027	7'-0"	9"	13" - 16"	68"	9
	005028	7'-0"	14"	19" - 22"	68"	9
	005029	8'-0"	9"	13" - 16"	84"	11
	005030	8'-0"	14"	19" - 22"	84"	11
	005031	9'-0"	9"	13" - 16"	92"	12
	005032	9'-0"	14"	19" - 22"	92"	12

dash number	description	F
01	Group of 1 vert.	7-7/8"
02	Group of 2 vert.	15-7/8"
03	Group of 3 vert.	23-7/8"
04	Group of 4 vert.	31-7/8"
05	Group of 5 vert.	39-7/8"
06	Group of 6 vert.	47-7/8"
07	Group of 7 vert.	55-7/8"
08	Group of 8 vert.	63-7/8"
09	Group of 9 vert.	71-7/8"
10	Group of 10 vert.	79-7/8"
11	Junction Kit	--
12	Left End Guard	--
13	Right End Guard	--
30	IDF Vertical	--
40	MDF Vertical	--

10 DIGIT ORDERING NUMBER

Figure No. + Dash No. + Finish Code = Part Number
 005025 + 03 + 30 =0050250330
 (6' Distribution Frame With A 9" Shelf, A Group Of 3, Te Gray Finish)

*Customer must specify "mdf" or "idf" or a combination of the two for each frame.
 See note.*

Features:

- Same basic vertical design for mdf and idf frames.
- Swivel type mtg. Bracket accepts end or center mount terminal block.
- Welded assembly with bolt-on frame components and accessories.
- Universal terminal block mounting brackets and protector bars.
- MDF and IDF verticals can be intermixed in a continuous frame line-up.

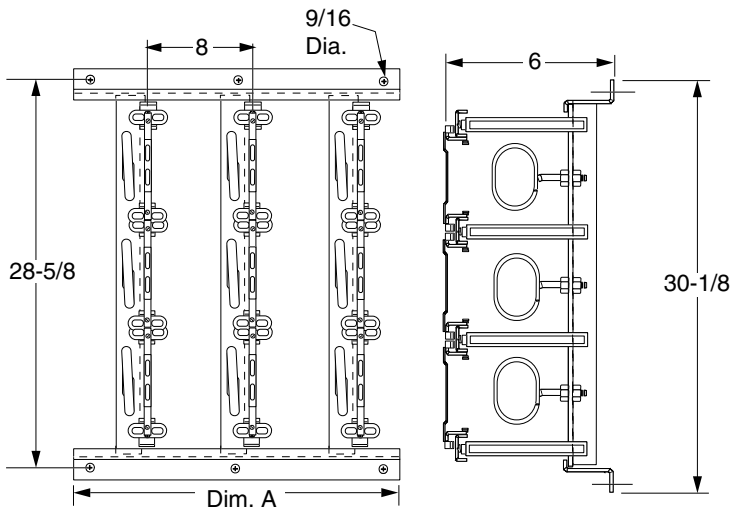
Notes:

- XX= finish code; standard finish, xx= 30.
- Frames supplied with adjustable guard rails, ground bar, and guide loops.
- IDF verticals (for mounting terminal blocks) supplied with newton universal swivel type terminal block mounting brackets.
- MDF verticals (for mounting protectors on vertical side and terminal blocks on horizontal side) supplied with newton universal protector bar assembly.



WALL FRAME

Modified:09/22/2009



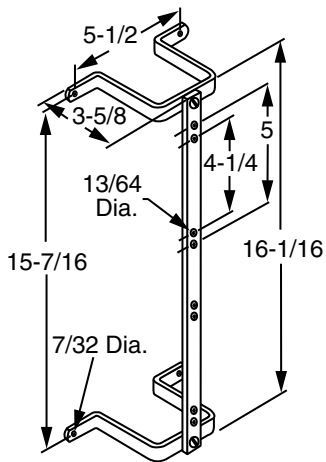
	Part Number	# of verticals	A
Ordering	00505501xx	1	7-7/8"
	00505502xx	2	15-7/8"
	00505503xx	3	23-7/8"

Notes:

- XX= finish code; standard finish for frame, xx= 30; standard finish for terminal block mounting hardware is zinc plated and gold chromate.
- Wall frame comes in one (1), two (2) or three (3) vertical units.
- Swivel type mounting bracket accepts either end or center mounting terminal blocks; three (3) blocks can be mounted on each vertical.

WALL MOUNTING TERMINAL BLOCK BRACKET

Modified:09/22/2009



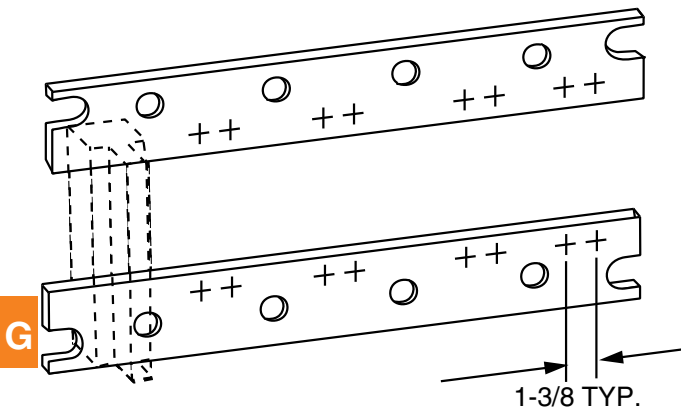
	Item	Qty	Description	part number
Stock List	1	2	wall mtg. bracket	Ordering 0050540010
	2	1	mopunting bar	
	3	2	10-32 x 3/4" fhms	
	4	2	10-32 hex nut	
	5	2	#10 lock washer	

Notes:

- Finish is zinc plated and gold chromate.
- Mounts two center mounting 8" terminal blocks.

TERMINAL BLOCK MOUNTING BARS

Modified:04/21/2010



	Part Number	length	positions
Ordering	00403600xx	19"	5
	00403700xx	23"	6

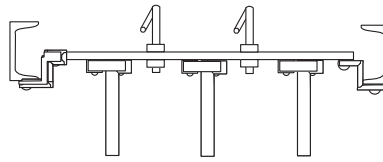
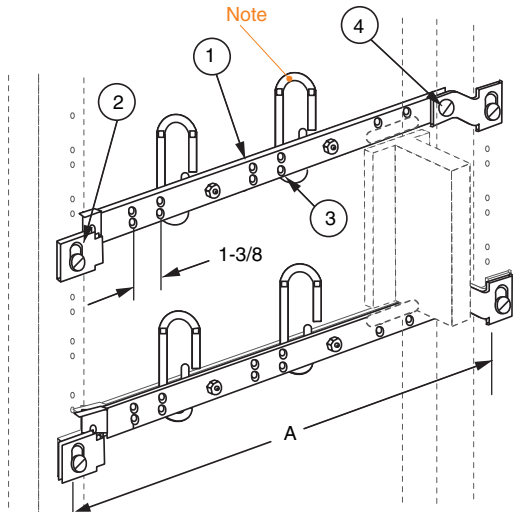
	Item	Qty	Description
Stock List	1	2	terminal blocks
	2	4	12-24 x 3/4" phms
	3	4	5/8" flat washer

Notes:

- Xx= finish code; standard finish, xx= 10.

MOUNTING BARS FOR VERT. MNT. TERMINAL BLOCKS TO EQ RACKS (STATIONARY)

Sales Sheet Modified:08/11/2015



Notes:

- For this first row of blocks, order two (2) of this figure. For each additional row, order only one (1) mounting bar. Order jumper rings (if needed) separately; refer to 005045.

Ordering Table

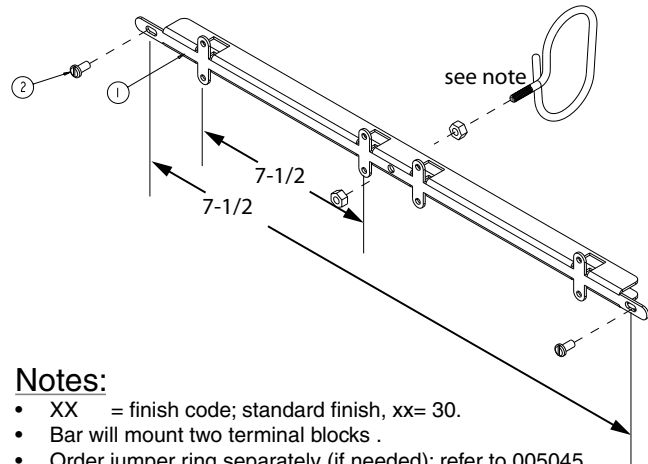
Part Number	A	Block MTG Spaces	Jumper Rings
0040670110	18-5/16"	3	2
0040670210	22-5/16"	3	2
0040670310	27-1/16"	4	3
0040670410	27-1/16"	5	4

Stock List

Item	QTY	Description
1	1	terminal block mtg bar
2	2	end clip
3	2	12-24 x 3/4" phms
4	2	1/4-20 x 5/8" rhms

MOUNTING BARS FOR HORZ. MOUNTING TERMINAL BLOCKS TO EQ RACKS (STATIONARY)

Modified:08/14/2013



Notes:

- XX = finish code; standard finish, xx= 30.
- Bar will mount two terminal blocks .
- Order jumper ring separately (if needed); refer to 005045.

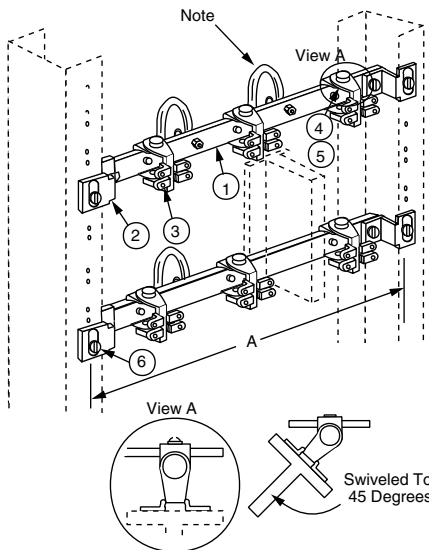
	part number	A
Ordering	00406801xx	18-5/16"
	00406802xx	22-5/16"
	00406803xx	27-1/16"

For swivel mount see **205252xxxx series.**

	Item	Qty	Description
Stock List	1	1	mounting bars
	2	2	12-24 x 1/2 phms

MOUNTING BARS FOR VERTICALLY MOUNTING TERMINAL BLOCKS TO EQ RACKS (SWIVEL)

Modified:04/03/2013



	Part Number	A	block mtg spaces	jumper rings	swivel clips
Ordering	00406901xx	18-5/16"	3	2	3
	00406902xx	22-5/16"	3	2	3
	00406903xx	27-5/16"	4	3	4

	Item	Qty	Description
Stock List	1	1	mounting bar
	2	2	end clips
	3	ar	1/4-20 x 1/2" rhms
	4	ar	1/4 lock washer
	5	2	12-24 x 3/8" phms

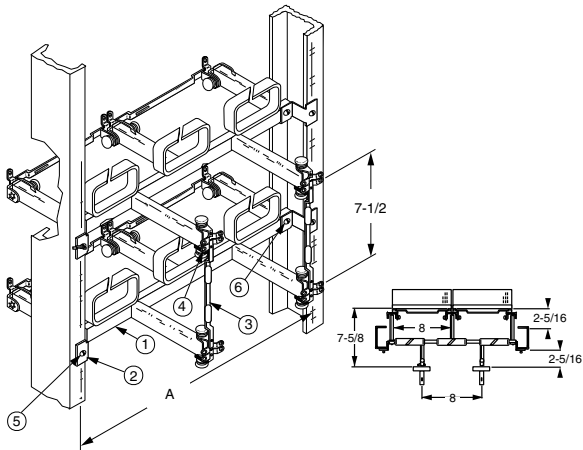
Notes:

- XX= finish code; standard finish, xx= 10.
- Bar will mount two (2) terminal blocks vertically.
- Order jumper ring separately (if needed); refer to 005045.



MOUNTING BARS FOR MOUNTING TERMINAL BLOCKS TO EQUIPMENT RACKS (SWIVEL)

Modified:09/22/2009



	Item	Qty	Description
Stock List	1	1	shelf assembly
	2	2	clip
	3	2	un. stiff bars
	4	4	8-32 phms
	5	2	12-24 x 7/16" phms
	6	2	1/4x 1/2" rhms

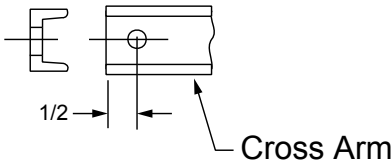
	Part Number	Dim A
Order	00408001xx	18-5/16"
	00408002xx	22-5/16"

Notes:

- XX= finish code; shelf standard finish, xx= 30. Terminal block, mounting brackets, clips, etc. Are zinc plated and gold chromate.
- For the first row of blocks, order two (2) of this figure. For each additional row, order only one (1).
- Terminal blocks may be swiveled to one side 45 degrees for easier access.
- Shelves mount on 8" centers.

UNIVERSAL SWIVEL MOUNT FOR TERMINAL BLOCKS

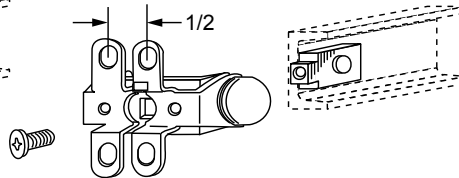
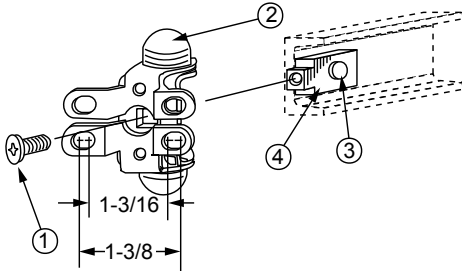
Modified:06/21/2010



	part number
Ordering	0050360010

Vertically Mounted

Horizontally Mounted

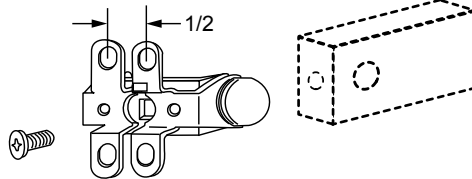
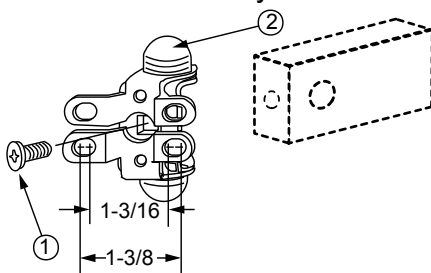


	Item	Qty.	Description
Stock List	1	1	8-32 screw
	2	1	univ. swivel mount
	3	1	1/4-20 screw
	4	1	adapter lug

UNIVERSAL SWIVEL MOUNT FOR TERMINAL BLOCKS, -- FOR NEWTON FRAMES ONLY --

Vertically Mounted

Horizontally Mounted

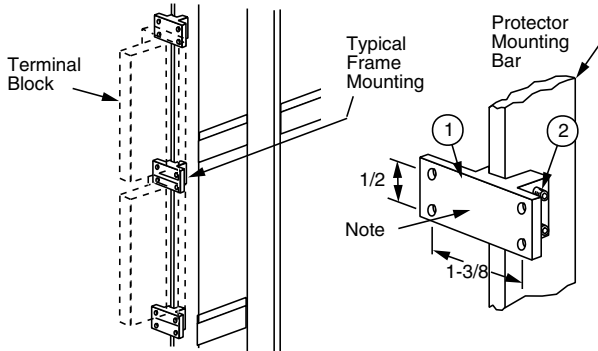


	part number
Ordering	0050360110

	Item	Qty.	Description
Stock List	1	1	8-32 screw
	2	1	univ. swivel mount

TERMINAL BLOCK MOUNTING BRACKET FOR CONVERTING MDF VERTICAL TO IDF

Modified:09/22/2009



Part Number	
Order	0050520000

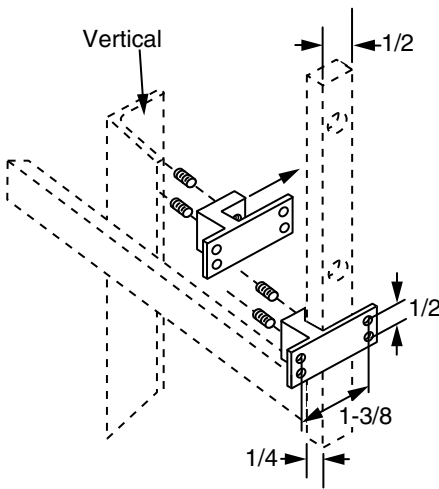
Item		Qty.	Description
Stock List	1	1	terminal block mtg bracket
	2	2	8-32 x 5/16" set screw

Notes:

- Clamp-on; no drilling required.

CLAMP-ON TERMINAL BLOCK MOUNTING BRACKET

Modified:09/22/2009



Part Number	
Order	0050530000

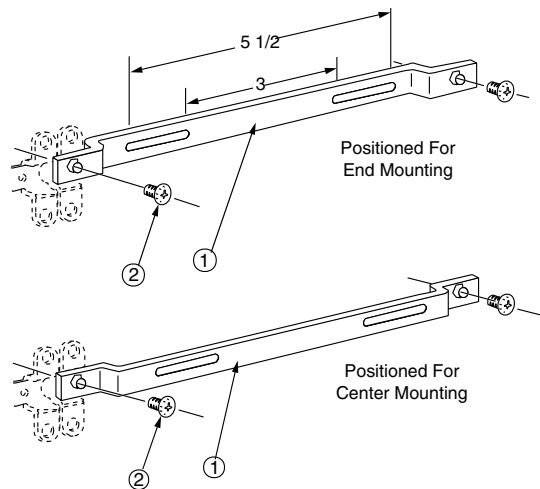
Item		Qty.	Description
Stock List	1	1	mounting clip
	2	2	8-32 x 5/16" set screw

Notes:

- This clip is designed to mount over 1/4 x 1/2 bar, vertically or horizontally.
- Order quantity of two (2) when mounting first terminal block and quantity of one (1) for every terminal block thereafter.

UNIVERSAL STIFFENING BAR

Modified:09/22/2009



part number	
Ordering	00503800xx

Item		Qty	Description
Stock List	1	1	stiffening bar
	2	2	8-32 x 1/4 phms

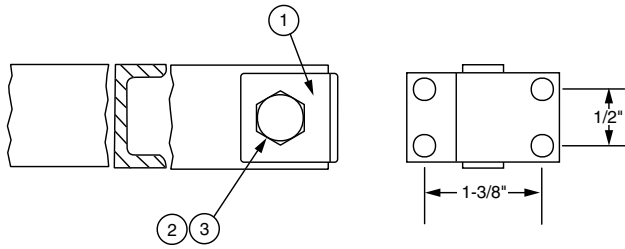
Notes:

- U.S. PATENT NO. 3,780,351
- Finish is zinc plated and gold chromate.
- Stiffening bar positioned for end mounting of terminal Blocks or for center mounting of terminal blocks.



MAIN FRAME END CLIP, VERTICAL SIDE

Modified:10/15/2009



part number	
Ordering	00503900xx

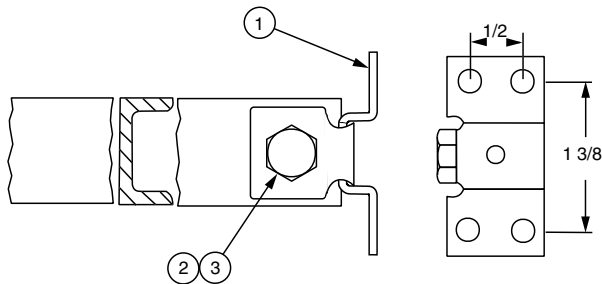
Item	Qty	Description
1	1	end clip
2	1	5/16"-18 x 5/8" hhcs
3	1	5/16" -18 x 9/16" hhn

Notes:

- Xx= finish code; standard finish, xx= 30.

MAIN FRAME END CLIP, HORIZONTAL SIDE

Modified:08/05/2009



part number	
Ordering	00504000xx

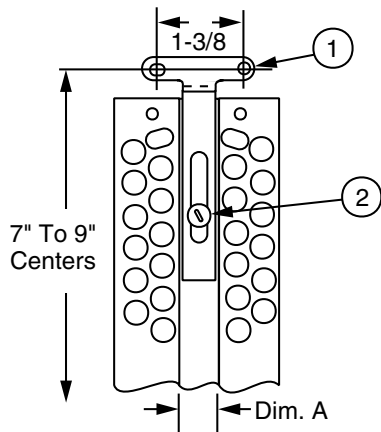
Item	Qty	Description
1	1	end clip
2	1	5/16"-18 x 5/8" hhcs
3	1	5/16" -18 x 9/16" hhn

Notes:

- Xx= finish code; standard finish, xx= 30.

ADJUSTABLE MOUNTING BRACKET

Modified:09/22/2009



part number		A
Ordering	0050910010	1/2"
	0050920010	9/16"

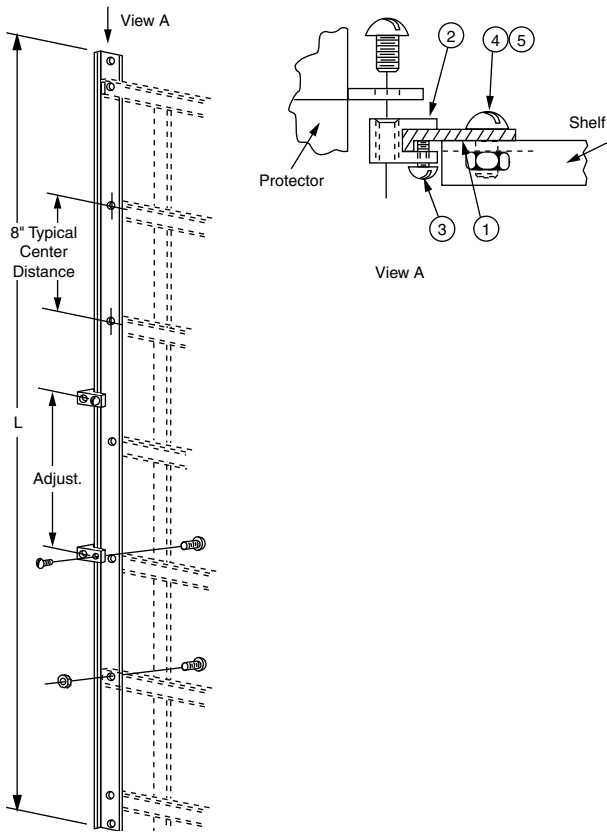
Item	Qty	Description
1	2	bracket
10	2	10-32 x 1/2" rhms
3	4	8-32 x 1/2 rhms
4	4	8-32 hex nut

Notes:

- 1. Finish is zinc plated & gold chromate.
- 2. Material: steel.
- 3. Bracket permits 7" to 9" adjustable end mounting with Most center mounting terminal blocks with 9/16" slot in base.

UNIVERSAL PROTECTOR BAR

Modified:09/22/2009



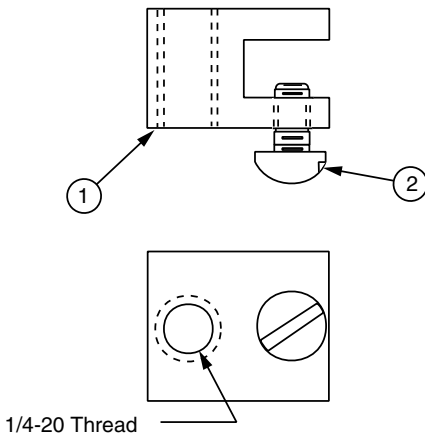
	part number	A	# of shelves
Ordering	00503501xx	52"	7
	00503502xx	60"	8
	00503503xx	68"	9
	00503504xx	76"	10
	00503505xx	84"	11
	00503506xx	92"	12
	00503507xx	116"	15
	00503508xx	124"	16

	Item	Qty	Description
Stock List	1	1	universal protector bar
	2	ar	protector mounting lug
	3	ar	#8-32 x 5/16" rhms
	4	ar	1/4-20 x 1/2 rhms
	5	ar	1/4-20 hex nut

- Notes:
- U.S. Pat. No. 3,780,351
- Xx= finish code; standard finish, xx= 1
- If more protector mounting lugs (item no. 2) Are needed, order by fig. 00505

PROTECTOR MOUNTING LUG FOR UNIVERSAL BAR

Modified:09/22/2009

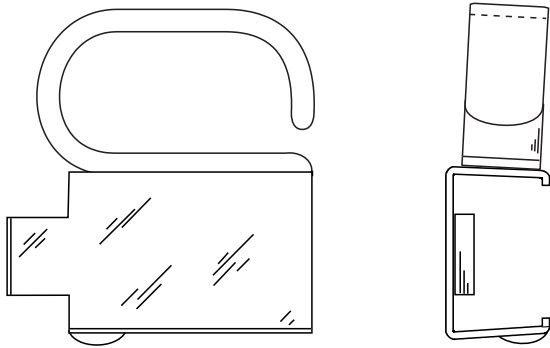


	part number
Ordering	0050510010

	Item	Qty	Description
Stock List	1	1	protector mtg lug
	2	1	8-32 x 5/16" rhms

- Notes:**
- Finish is zinc plated and gold chromate.

SNAP-ON CABLE RING, HORIZONTAL

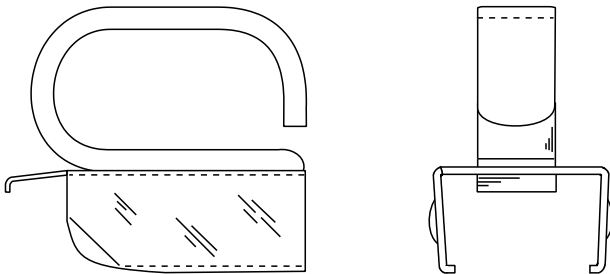


Ordering	part number
	00504200xx

Notes:

- Xx= finish code; standard finish, xx= 30.

SNAP-ON CABLE RING, VERTICAL

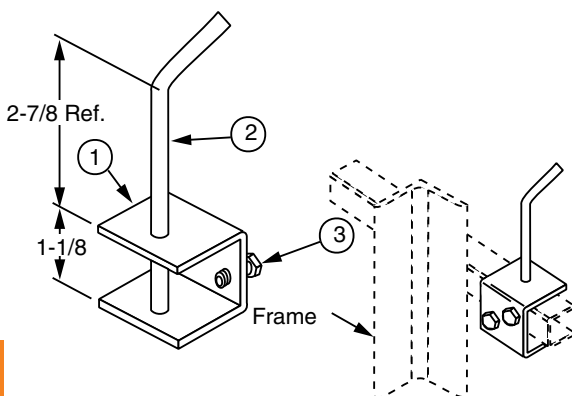


Ordering	part number
	00504100xx

Notes:

- Xx= finish code; standard finish, xx= 30.

WIRE RETAINER POST FOR IDF FRAME



Ordering	part number
	0050950010

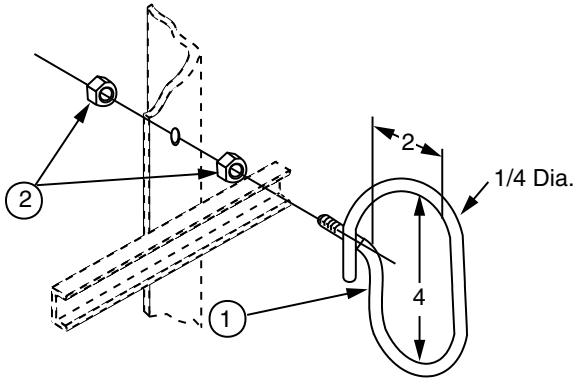
	Item	Qty	Description
Stock List	1	1	post retainer
	2	8	post
	3	9	1/4-20 x 1/2" hhcs

Notes:

- Finish is zinc plated and gold chromate.

OBROUND JUMPER RING

Modified:09/22/2009



part number	
Ordering	00504500xx

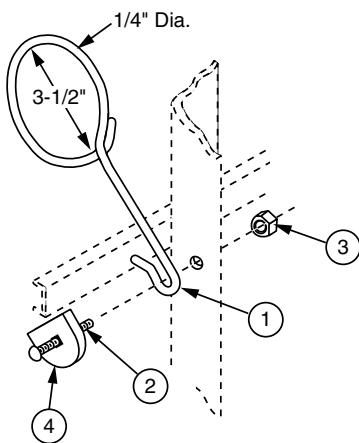
Stock List			
Item	Qty	Description	
1	1	jumper ring	
2	2	1/4-20 hex nut	

Notes:

- Xx= finish code; standard finish, xx= 30.

SELF-ALIGNING JUMPER RING

Modified:09/22/2009



part number	
Ordering	0050470010

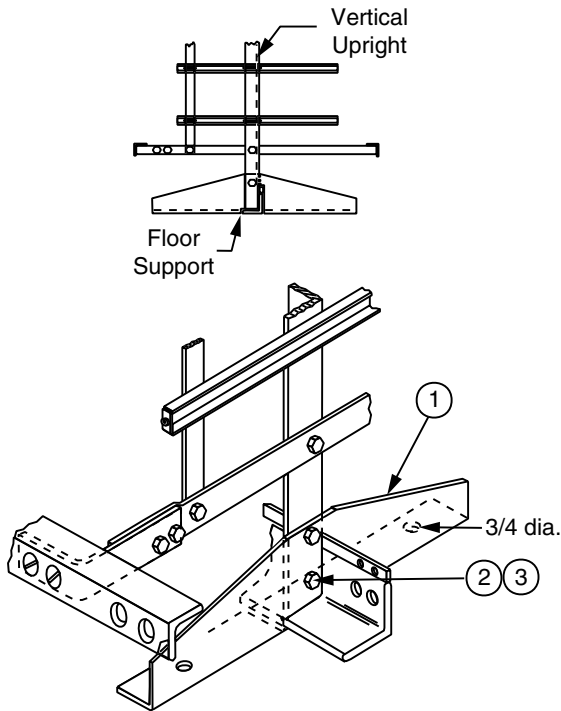
Stock List			
Item	Qty	Description	
1	1	jumper ring	
2	1	1/4-20 x 1" carriage bolt	
3	1	1/4-20 hex nut	
4	1	cup washer	

Notes:

- Finish is zinc plated and gold chromate.

FLOOR SUPPORTS

Modified:10/15/2009



	part number	# of verticals	floor supports
Ordering	00503701xx	1	1
	00503702xx	2	2
	00503703xx	3	2
	00503704xx	4	2
	00503705xx	5	3
	00503706xx	6	3
	00503707xx	7	3
	00503708xx	8	4
	00503709xx	9	4
	00503710xx	10	4

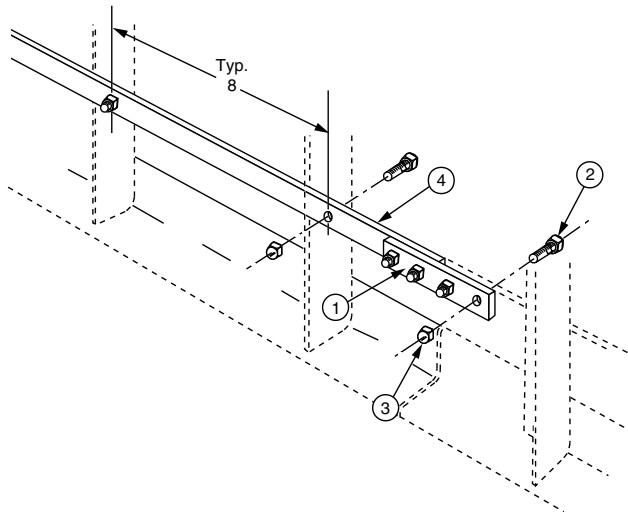
	Item	Description
Stock List	1	floor support
	2	5/16-18 x 3/4" hhcs
	3	5/16-18 hex nut

Notes:

- Xx= finish code; standard finish, xx= 30.
- For use with newton double-sided distribution frames.
- Floor support is mounted to verticals that mount guard rail support bars.

GROUND BAR AND SPLICE

Modified:09/22/2009



	part number	# of verticals
Ordering	00504301xx	1
	00504302xx	2
	00504303xx	3
	00504304xx	4
	00504305xx	5
	00504306xx	6
	00504307xx	7
	00504308xx	8
	00504309xx	9
	00504310xx	10

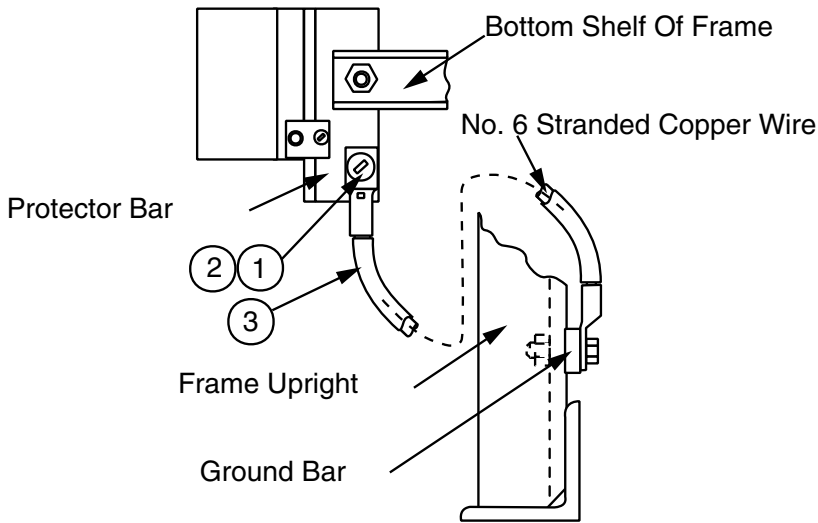
	item	qty.	description
Stock List	1	1	ground splice
	2	ar	1/4"-20 x 3/4" hhcs
	3	ar	1/4"-20 hex nut
	4	1	ground bar

Notes:

- Material: copper.

GROUND STRAP

Modified:10/15/2009



part number	
Ordering	0050440010

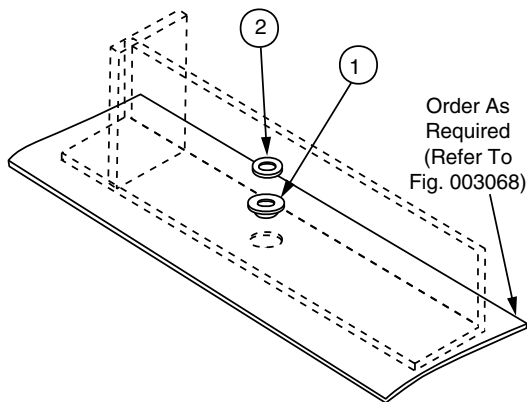
Item	Qty	Description
1	1	1/4-20 x 1/2" rhms
2	1	1/4-20 hex nut
3	1	ground wire assembly

Notes:

- Finish is zinc plated and gold chromate.

INSULATOR BUSHING FOR MAIN FRAME FLOOR ANGLE

Modified:09/22/2009



part number	
Ordering	0050930000

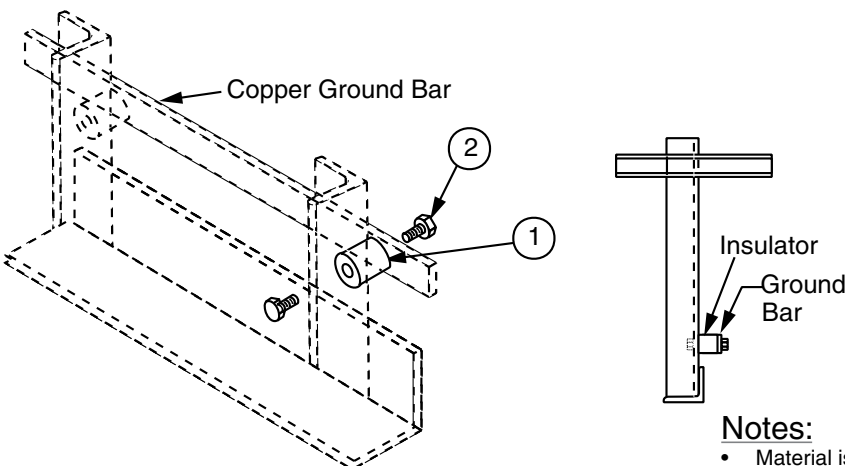
Item	Qty	Description
1	1	bushing
2	2	3/8 flat washer

Notes:

- Requires 3/4" dia. Hole to be drilled in floor angle.
- Material is rated u.L. 94 V-1 and has an oxygen index rating of greater than 29.

INSULATOR STANDOFF FOR GROUND BAR

Modified:09/22/2009



part number	
Ordering	0050940000

item	qty.	description
1	1	stand off
2	2	1/4"-20 x 1/2" hhcs

Notes:

- Material is rated u.L. 94 V-1 and has an oxygen index rating of greater than 29.

G

NOTES: