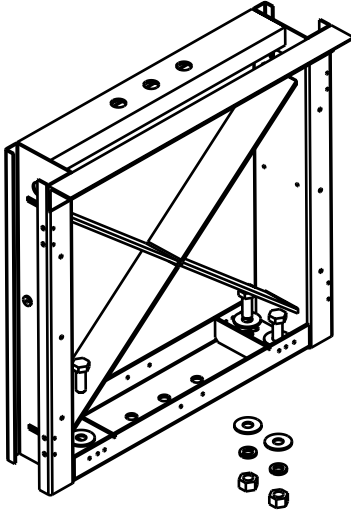
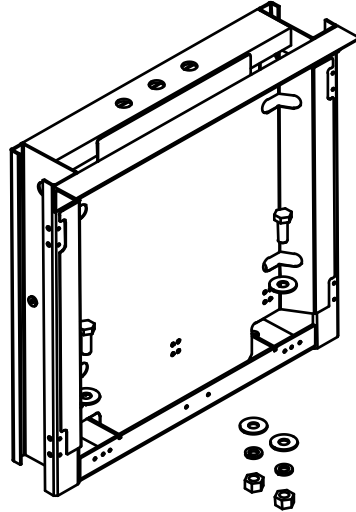


**23" SEISMIC UFER EXTENSION ASSEMBLY**

Modified:09/22/2009



**X-BRACING  
EXAMPLE**



**FLAT PANEL  
EXAMPLE**

	part number	Height	Bracing
<b>Ordering Table</b>	21743100xx	54"	x-bracing
	21743102xx	56"	x-bracing
	21743103xx	30"	x-bracing
	21743104xx	12"	x-bracing
	21743150xx	54"	flat panel
	21743152xx	56"	flat panel
	21743154xx	12"	flat panel
	21779800xx	24"	x-bracing
	21779850xx	24"	flat panel

