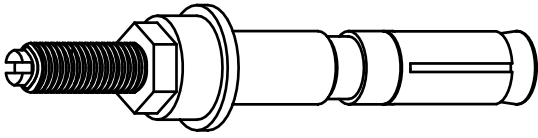


SEISMIC ANCHOR KIT

Sales Sheet Modified:11/09/2022



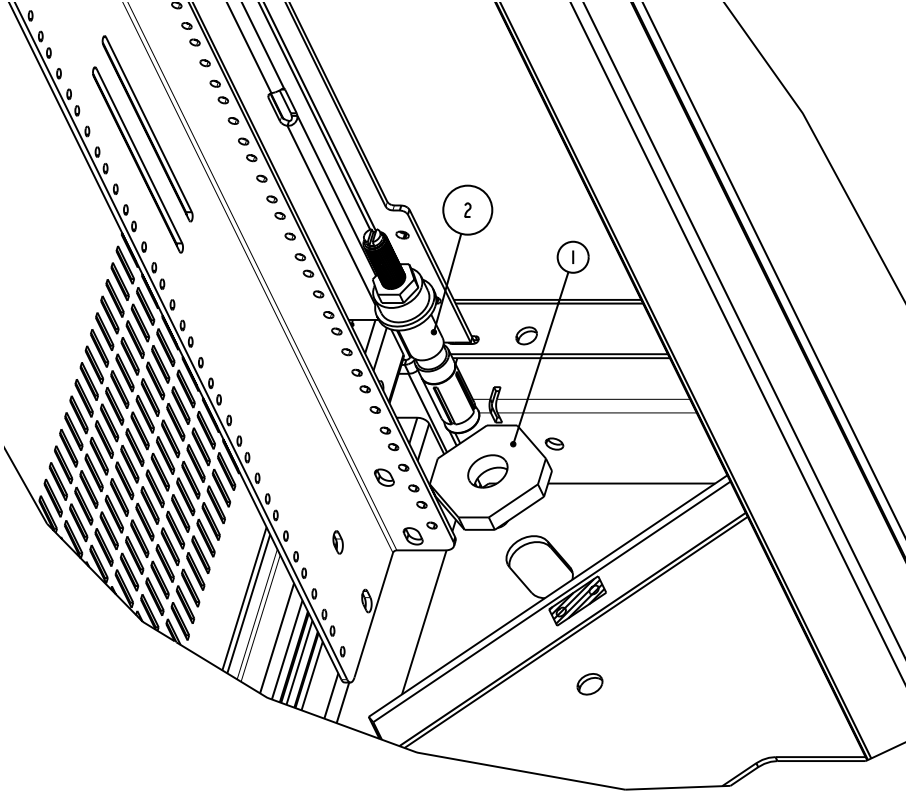
Ordering Table

Part Number

2200600000

Stock List

Item	QTY	Description
1	AR	Seismic Washer Kit-4 Washers
2	4	Seismic Anchors M12 w/150mm Stud



- Notes;
- 1. Using the cabinet base as a template, mark the hole pattern. Drill an 18mm dia. hole, 100mm (4") deep maximum. Clean out the holes using compressed air or blow-out bulb.
- 2.Min Seismic Embedment 2-3/4"
- 3.Max Embedment 3-3/4"