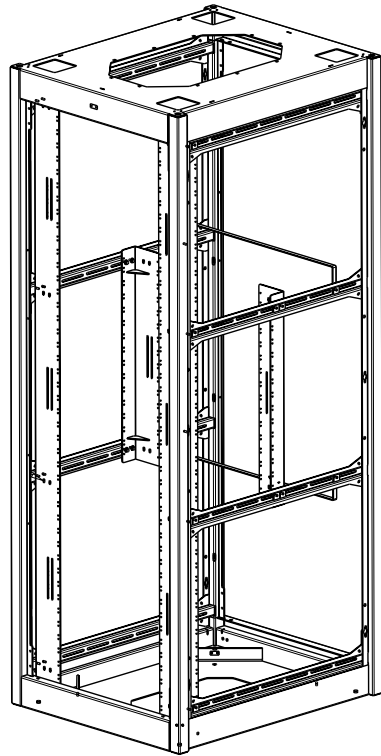
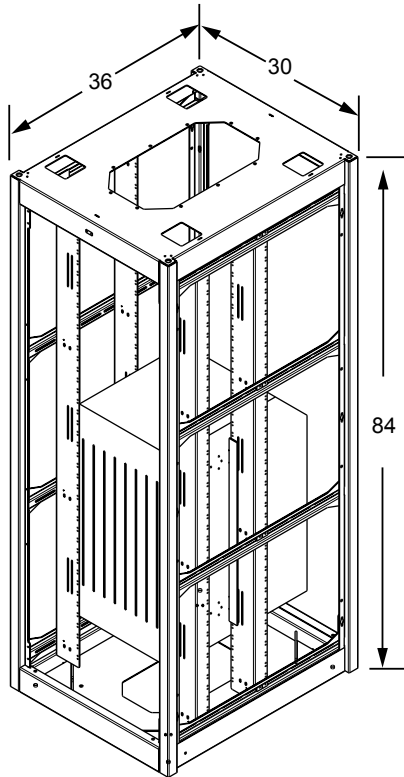


SEISMIC ENCLOSURE, 84" X 30" X 36"

Modified:06/12/2013

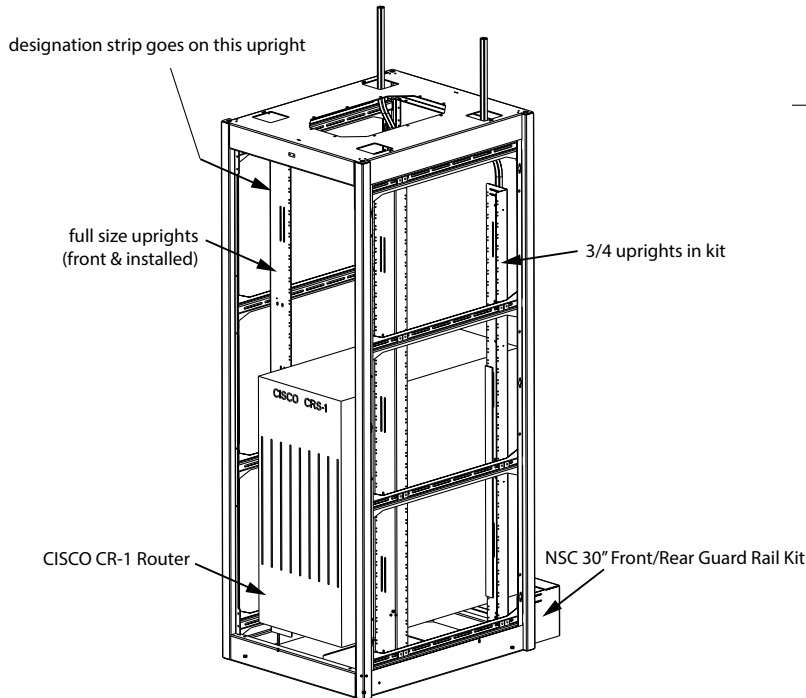
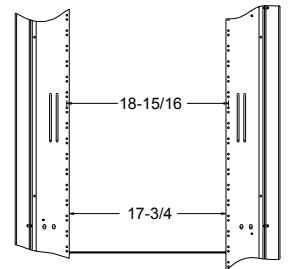
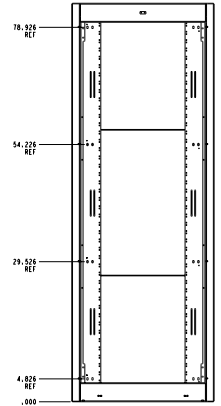


22183700xx

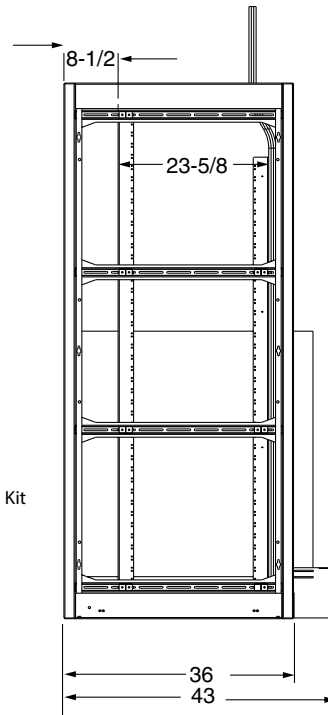


22183701xx

Ordering Table	Part Number	uprighth kit
	22183700xx	1 + 1/2
	22183701xx	1+1
	22183702xx	2+guard rail kit



22183702xx



- Notes:
 1. Standard finish is Blue 64.