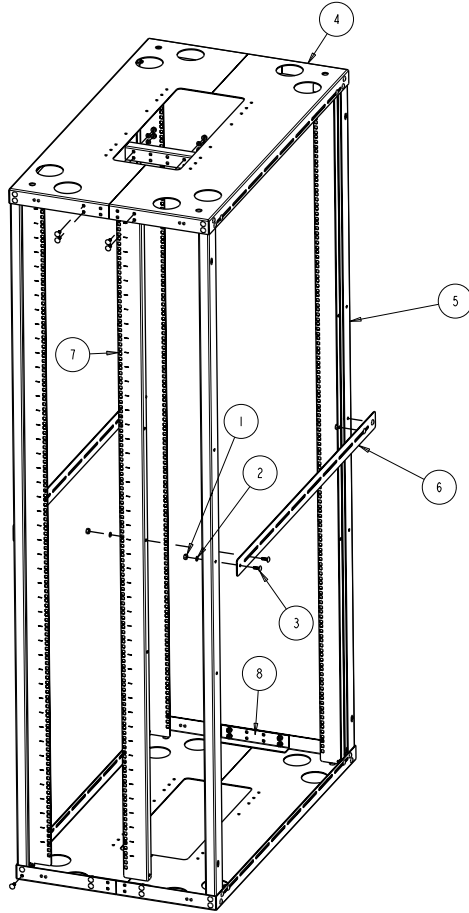


**4-POST SERVER FRAME KIT**

Modified:03/12/2015



**Ordering Table**

Part Number	Depth
22234300XX	42"
22234310XX	36"
22234320XX	30"
22234330XX	24"

**Configuration**

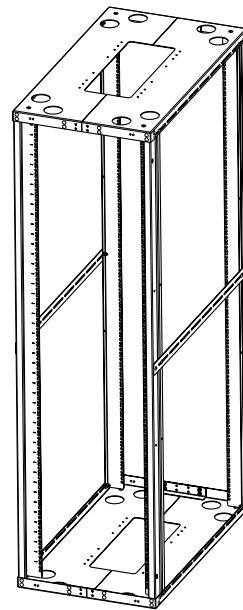
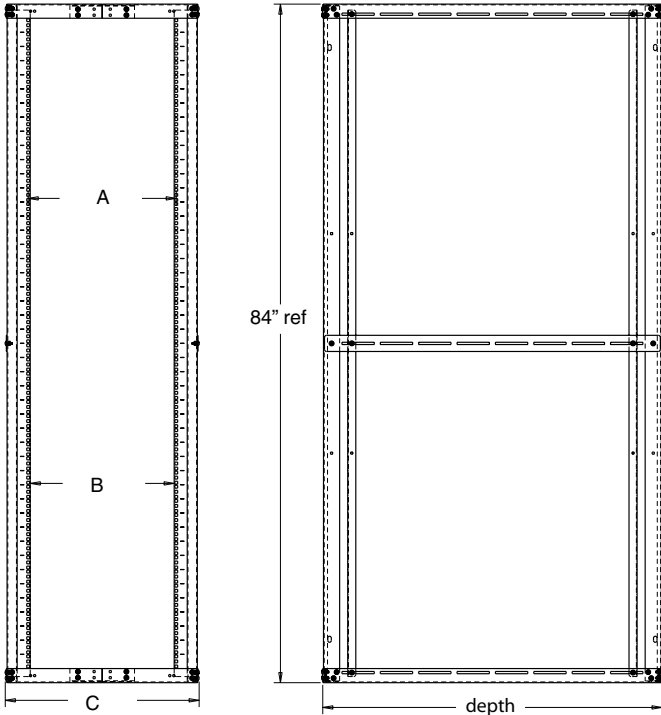
Width	A	B	C
19"	18-15/16"	17-3/4"	24"
23"	22-15/16"	21-3/4"	28"

**Stock List**

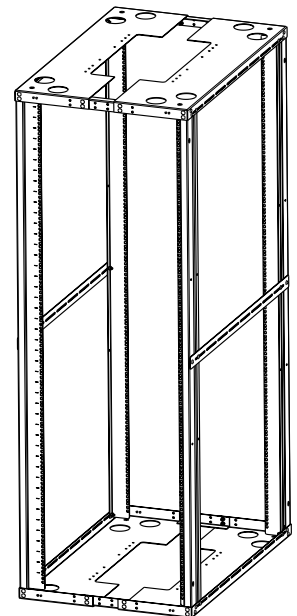
Item	QTY	Description
1	64	5/16-18 Heavy hex nuts
2	64	5/16 lock washer
3	64	5/16-18 x 3/4" carriage bolt
4	4	4-post server frame top & bottom
5	4	4-post server frame corner post
6	4	t4-post server frame extender
7	2	4-post server frame side rail
8	4	4-post server frame upright

**Notes:**

- Frame must be anchored to the floor for top-loading stability.



19" configuration



23" configuration