

LGX comparison

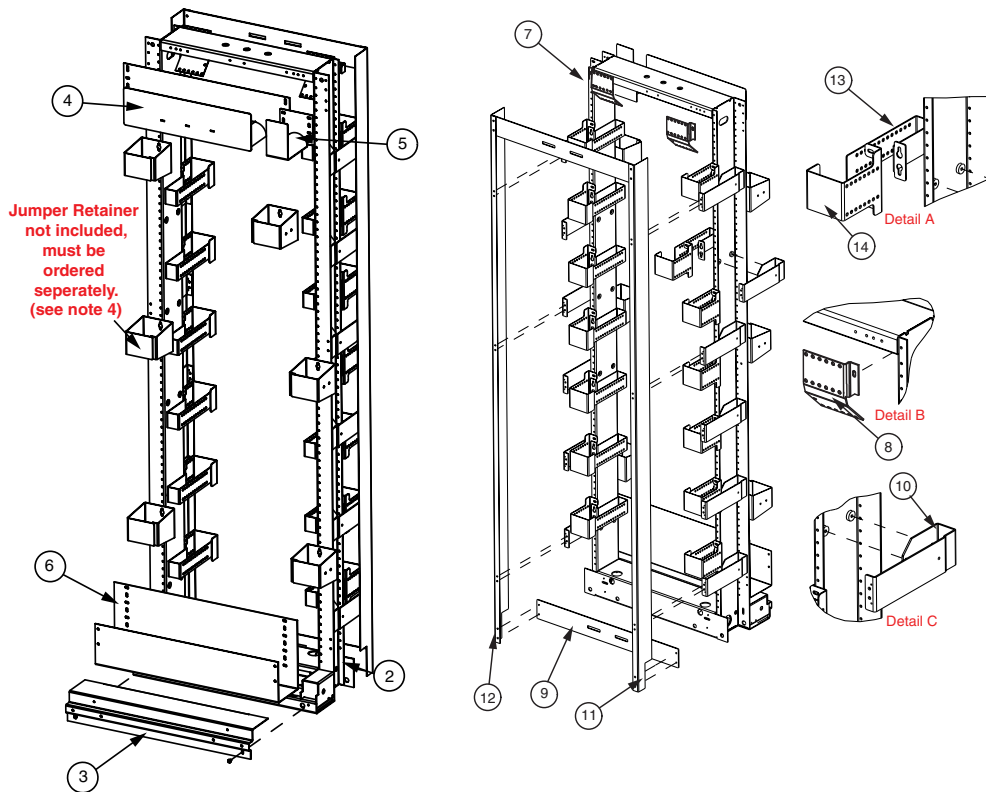
15" LGX FOT rack kit

Modified:05/18/2009

NEWTON[®]

INSTRUMENT COMPANY

Made Right When You Need It, Driven To Be Better



	part number	foot print
Ordering Table	2223460164	15"

	Item	Qty	Description
Stock List	1	1	fiber cable management kit
	2	1	7' x 23" netbay, closed, 1" mtg.
	3	1	5" front guard rail kit
	4	1	upper raceway
	5	1	jumper support
	6	1	lower raceway
	7	1	cable retainer bracket , left
	8	1	cable retainer bracket , right
	9	2	LGX frame brace
	10	12	LGX 9.5" duct bracket
	11	1	side panel, left side
	12	1	side panel, right side
	13	14	LGX 15" cable retainer In Bkt
	14	14	LGX 15" cable retainer Ot Bkt

Assembly Notes:

1. Install front guard rail cover (Item 3) to front of rack using the (2) 12-24 x 3/8 tri-lobe screws found in the kit as shown in the picture.
2. Install the lower raceway (Item 6) using 6 (3 ea. side) 12-24 x 3/8 pan head machine screws found in hardware kit (Item 1) as shown in the picture.
3. Install the upper raceway (Item 4) using 6 (3 ea. side) 12-24 x 3/8 pan head machine screws found in hardware kit (Item 1) as shown in the picture. The jumper support (Item 5) can be installed as an extension to the upper raceway.
4. The jumper retainers (part #, **single shown 21231300xx, double 21231302xx**) must be ordered separately as an accessory item. If ordered, install the jumper retainers using (2) 12-24 x 3/8 pan head machine screws as shown in the picture. The jumper retainers can be installed in any location using the mtg. Holes on the rack (the picture is just an example).
5. Install the left & right cable retainer bracket assemblies (Items 7 & 8) to the rack using 4 (2 ea. side) 12-24 x 3/8 pan head machine screws found in hardware kit (part # 2126490110) as shown in (Detail B).
6. Install the 14 LGX 15" cable retainer brackets (Items 13 & 14) on the mtg holes in the rack using 28 (2 ea. Bracket kit) 12-24 x 3/8 pan head machine screws found in hardware kit (part # 2126490110) as shown in (Detail A). These brackets can be installed in any location on the mtg holes per (Detail A) (picture is just an example).
7. Install the 12 LGX 9.5" Duct brackets (Item 10) using 24 (2 ea. Bracket) 12-24 x 3/8 pan head machine screws found in hardware kit (part # 2126490110) as shown in (detail c).
8. Install the left & right side panels (Items 11 & 12) using 12 (6 ea. Side panel) 12-24 x 1/2 pan head machine screws, 12 (6 ea. Side panel) no. 12 Plain washers and 12 (6 ea. Side panel) 12-24 heavy hex nuts found in hardware kit (part # 2126490110) as shown in the picture on the left.
9. Install the two LGX frame braces (Item 9) to the side panels using 8 (4 ea. Brace) 12-24 x 3/8 pan head machine screws found in hardware kit (part # 2126490110) as shown in the picture on the left.

