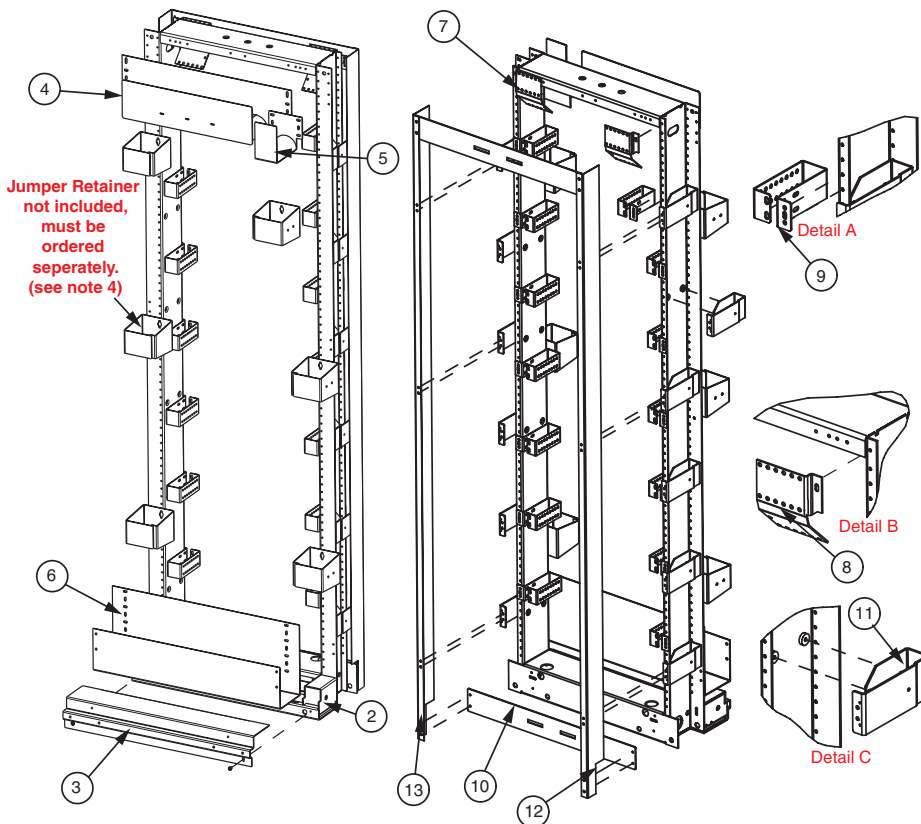


**12" LGX FOT RACK KIT**

Modified:09/23/2009

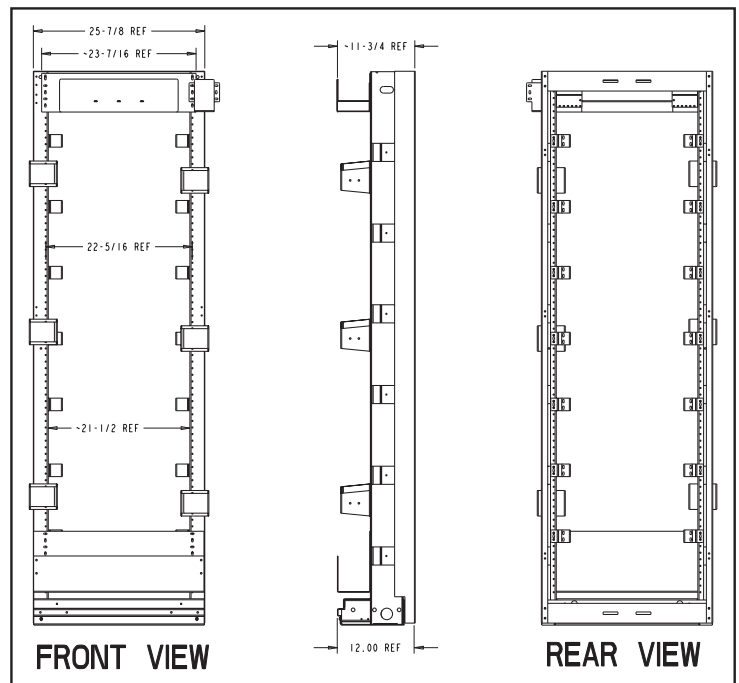


	part number	foot print
Ordering Table	2223460064	12"

	Item	Qty	Description
Stock List	1	1	fiber cable management kit
	2	1	7' x 23" netbay, closed, 1" mtg.
	3	1	5" front guard rail kit
	4	1	upper raceway
	5	1	jumper support
	6	1	lower raceway
	7	1	cable retainer bracket , left
	8	1	cable retainer bracket , right
	9	14	LGX 12" cable retainer bracket
	10	2	LGX frame brace
	11	12	LGX 6.5" duct bracket
	12	1	side panel, left side
	13	1	side panel, right side

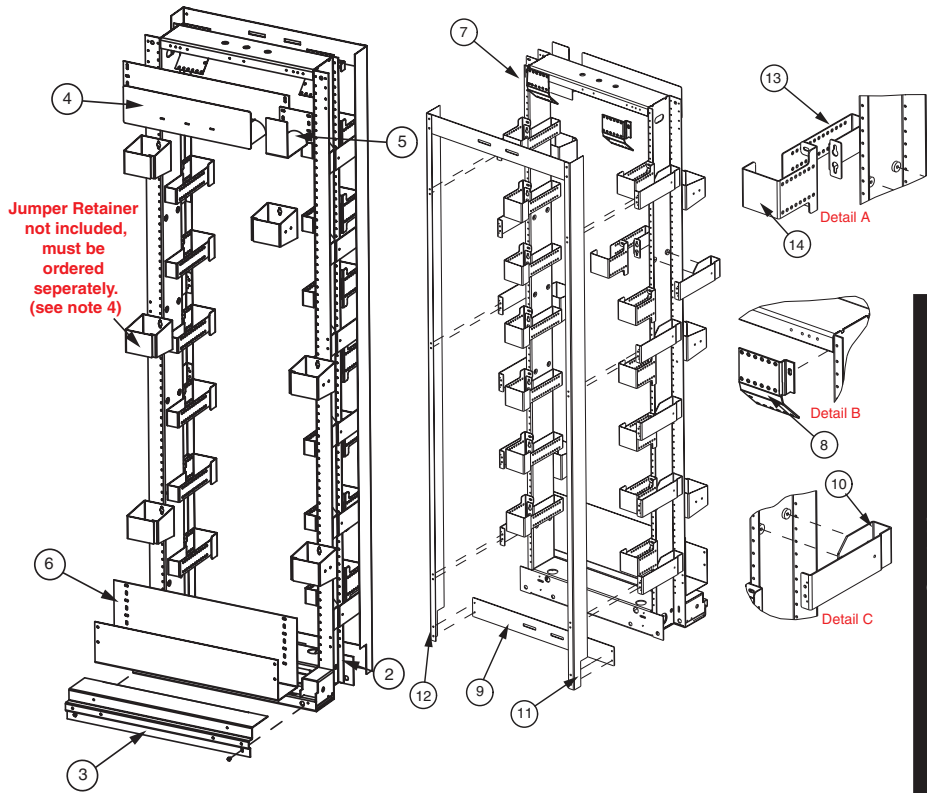
**Assembly Notes:**

1. Install front guard rail cover (**Item 3**) to front of rack using the (2) 12-24 x 3/8 tri-lobe screws found in the kit as shown in the picture.
2. Install the lower raceway (**Item 6**) using 6 (3 ea. side) 12-24 x 3/8 pan head machine screws found in hardware kit (**Item 1**) as shown in the picture.
3. Install the upper raceway (**Item 4**) using 6 (3 ea. side) 12-24 x 3/8 pan head machine screws found in hardware kit (**Item 1**) as shown in the picture. The jumper support (**Item 5**) can be installed as an extension to the upper raceway.
4. The jumper retainers (part #, **single shown 21231300xx, double 21231302xx**) must be ordered separately as an accessory item. If ordered, install the jumper retainers using (2) 12-24 x 3/8 pan head machine screws as shown in the picture. The jumper retainers can be installed in any location using the mtg. Holes on the rack (the picture is just an example).
5. Install the left & right cable retainer bracket assemblies (**Items 7 & 8**) to the rack using 4 (2 ea. side) 12-24 x 3/8 pan head machine screws found in hardware kit (**part # 2126490110**) as shown in (**Detail B**).
6. Install the 14 LGX 12" cable retainer brackets (**Item 9**) on the mtg holes in the rack using 28 (2 ea. Bracket kit) 12-24 x 3/8 pan head machine screws found in hardware kit (**part # 2126490110**) as shown in (**Detail A**). These brackets can be installed in any location on the mtg holes per (**Detail A**) (picture is just an example).
7. Install the 12 LGX 6.5" Duct brackets (**Item 11**) using 24 (2 ea. Bracket) 12-24 x 3/8 pan head machine screws found in hardware kit (**part # 2126490110**) as shown in (detail c).
8. Install the left & right side panels (**Items 12 & 13**) using 12 (6 ea. Side panel) 12-24 x 1/2 pan head machine screws, 12 (6 ea. Side panel) no. 12 Plain washers and 12 (6 ea. Side panel) 12-24 heavy hex nuts found in hardware kit (**part # 2126490110**) as shown in the picture on the left.
9. Install the two LGX frame braces (**Item 10**) to the side panels using 8 (4 ea. Brace) 12-24 x 3/8 pan head machine screws found in hardware kit (**part # 2126490110**) as shown in the picture on the left.



**15" LGX FOT RACK KIT**

Modified:09/23/2009

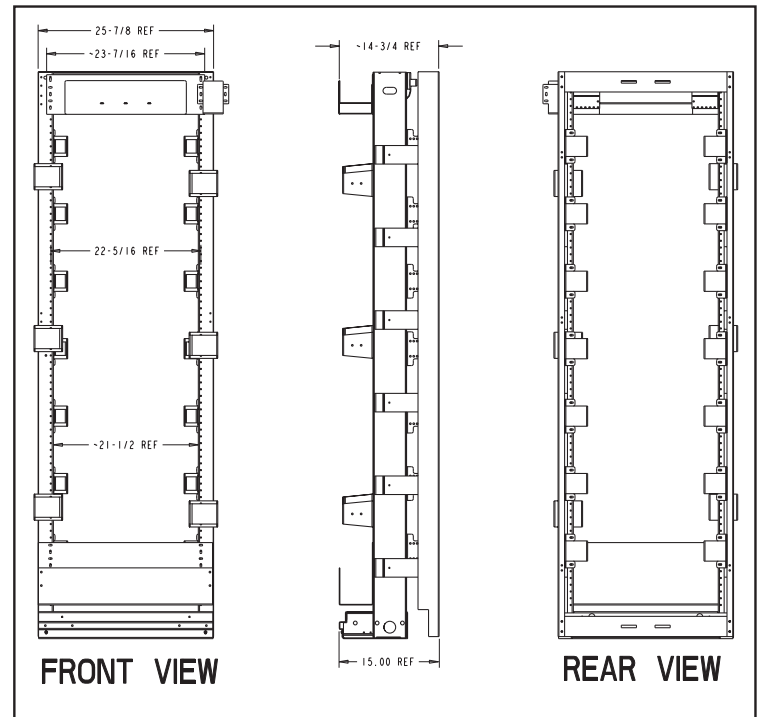


	part number	foot print
Ordering Table	2223460164	15"

Item	Qty	Description
1	1	fiber cable management kit
2	1	7' x 23" netbay, closed, 1" mtg.
3	1	5" front guard rail kit
4	1	upper raceway
5	1	jumper support
6	1	lower raceway
7	1	cable retainer bracket , left
8	1	cable retainer bracket , right
9	2	LGX frame brace
10	12	LGX 9.5" duct bracket
11	1	side panel, left side
12	1	side panel, right side
13	14	LGX 15" cable retainer In Bkt
14	14	LGX 15" cable retainer Ot Bkt

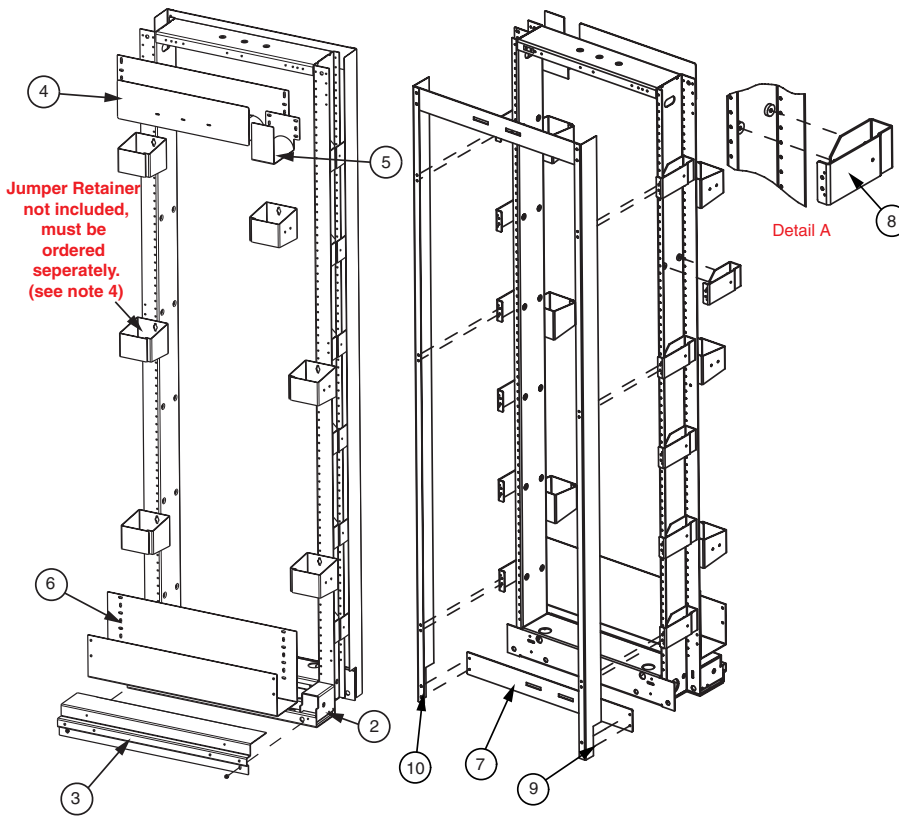
**Assembly Notes:**

1. Install front guard rail cover (Item 3) to front of rack using the (2) 12-24 x 3/8 tri-lobe screws found in the kit as shown in the picture.
2. Install the lower raceway (Item 6) using 6 (3 ea. side) 12-24 x 3/8 pan head machine screws found in hardware kit (Item 1) as shown in the picture.
3. Install the upper raceway (Item 4) using 6 (3 ea. side) 12-24 x 3/8 pan head machine screws found in hardware kit (Item 1) as shown in the picture. The jumper support (Item 5) can be installed as an extension to the upper raceway.
4. The jumper retainers (part #, single shown 21231300xx, double 21231302xx) must be ordered separately as an accessory item. If ordered, install the jumper retainers using (2) 12-24 x 3/8 pan head machine screws as shown in the picture. The jumper retainers can be installed in any location using the mtg. Holes on the rack (the picture is just an example).
5. Install the left & right cable retainer bracket assemblies (Items 7 & 8) to the rack using 4 (2 ea. side) 12-24 x 3/8 pan head machine screws found in hardware kit (part # 2126490110) as shown in (Detail B).
6. Install the 14 LGX 15" cable retainer brackets (Items 13 & 14) on the mtg holes in the rack using 28 (2 ea. Bracket kit) 12-24 x 3/8 pan head machine screws found in hardware kit (part # 2126490110) as shown in (Detail A). These brackets can be installed in any location on the mtg holes per (Detail A) (picture is just an example).
7. Install the 12 LGX 9.5" Duct brackets (Item 10) using 24 (2 ea. Bracket) 12-24 x 3/8 pan head machine screws found in hardware kit (part # 2126490110) as shown in (detail c).
8. Install the left & right side panels (Items 11 & 12) using 12 (6 ea. Side panel) 12-24 x 1/2 pan head machine screws, 12 (6 ea. Side panel) no. 12 Plain washers and 12 (6 ea. Side panel) 12-24 heavy hex nuts found in hardware kit (part # 2126490110) as shown in the picture on the left.
9. Install the two LGX frame braces (Item 9) to the side panels using 8 (4 ea. Brace) 12-24 x 3/8 pan head machine screws found in hardware kit (part # 2126490110) as shown in the picture on the left.



**12" LGX OSP RACK KIT**

Modified:09/23/2009

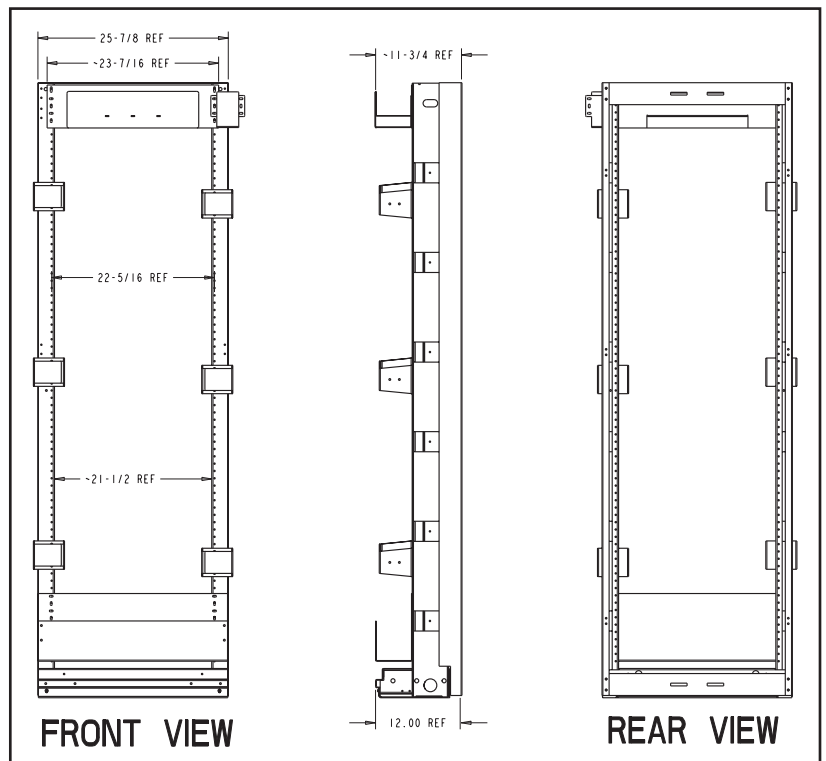


	part number	foot print
Ordering Table	2223461064	12"

	Item	Qty	Description
Stock List	1	1	fiber cable management kit
	2	1	7' x 23" netbay, closed, 1" mtg.
	3	1	5" front guard rail kit
	4	1	upper raceway
	5	1	jumper support
	6	1	lower raceway
	7	2	LGX frame brace
	8	12	LGX 6.5" duct bracket
	9	1	side panel, left side
	10	1	side panel, right side

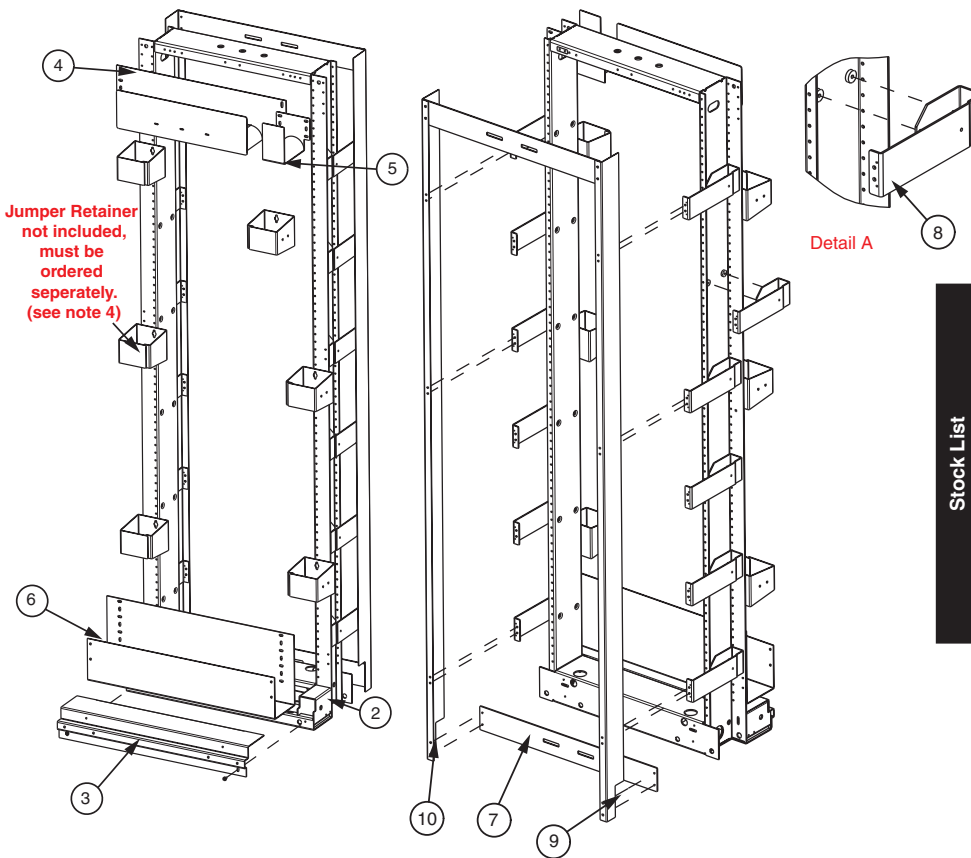
**Assembly notes:**

1. Install front guard rail cover (**Item 3**) to front of rack using the (2) 12-24 x 3/8 tri-lobe screws found in the kit as shown in the picture.
2. Install the lower raceway (**Item 6**) using 6 (3 ea. side) 12-24 x 3/8 pan head machine screws found in hardware kit (**Item 1**) as shown in the picture.
3. Install the upper raceway (**Item 4**) using 6 (3 ea. side) 12-24 x 3/8 pan head machine screws found in hardware kit (**Item 1**) as shown in the picture. The jumper support (**Item 5**) can be installed as an extension to the upper raceway.
4. The jumper retainers (part #, **single shown 21231300xx, double 21231302xx**) must be ordered separately as an accessory item. If ordered, install the jumper retainers using (2) 12-24 x 3/8 pan head machine screws as shown in the picture. The jumper retainers can be installed in any location using the mtg. Holes on the rack (the picture is just an example).
5. Install the 12 LGX 6.5" Duct brackets (**Item 8**) using 24 (2 ea. Bracket) 12-24 x 3/8 pan head machine screws found in hardware kit (**part # 2126490110**) as shown in (**Detail A**).
6. Install the left & right side panels (**Items 9 & 10**) using 12 (6 ea. Side panel) 12-24 x 1/2 pan head machine screws, 12 (6 ea. Side panel) no. 12 Plain washers and 12 (6 ea. Side panel) 12-24 heavy hex nuts found in hardware kit (**part # 2126490110**) as shown in the picture on the left.
7. Install the two LGX frame braces (**Item 7**) to the side panels using 8 (4 ea. Brace) 12-24 x 3/8 pan head machine screws found in hardware kit (**part # 2126490110**) as shown in the picture on the left.



**15" LGX OSP RACK KIT**

Modified:09/23/2009

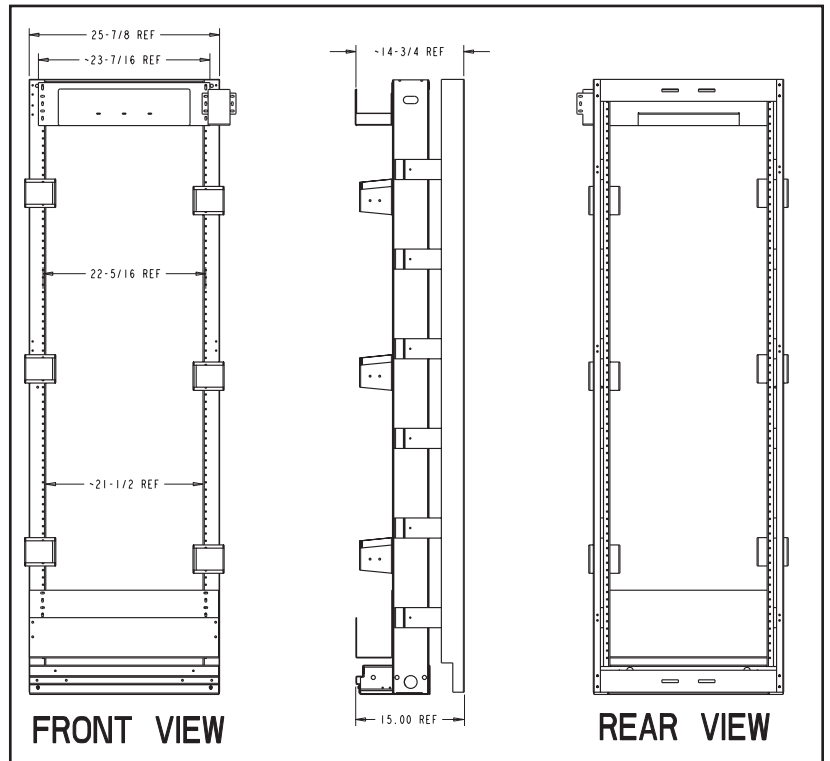


	part number	foot print
Ordering Table	2223461164	15"

	Item	Qty	Description
Stock List	1	1	fiber cable management kit
	2	1	7' x 23" netbay, closed, 1" mtg.
	3	1	5" front guard rail kit
	4	1	upper raceway
	5	1	jumper support
	6	1	lower raceway
	7	2	LGX frame brace
	8	12	LGX 9.5" duct bracket
	9	1	side panel, left side
	10	1	side panel, right side

**Assembly notes:**

1. Install front guard rail cover (**Item 3**) to front of rack using the (2) 12-24 x 3/8 tri-lobe screws found in the kit as shown in the picture.
2. Install the lower raceway (**Item 6**) using 6 (3 ea. side) 12-24 x 3/8 pan head machine screws found in hardware kit (**Item 1**) as shown in the picture.
3. Install the upper raceway (**Item 4**) using 6 (3 ea. side) 12-24 x 3/8 pan head machine screws found in hardware kit (**Item 1**) as shown in the picture. The jumper support (**Item 5**) can be installed as an extension to the upper raceway.
4. The jumper retainers (part #, **single shown 21231300xx, double 21231302xx**) must be ordered separately as an accessory item. If ordered, install the jumper retainers using (2) 12-24 x 3/8 pan head machine screws as shown in the picture. The jumper retainers can be installed in any location using the mtg. Holes on the rack (the picture is just an example).
5. Install the 12 LGX 9.5" Duct brackets (**Item 2**) using 24 (2 ea. Bracket) 12-24 x 3/8 pan head machine screws found in hardware kit (**part # 2126490110**) as shown in (**Detail A**).
6. Install the left & right side panels (**Items 3 & 4**) using 12 (6 ea. Side panel) 12-24 x 1/2 pan head machine screws, 12 (6 ea. Side panel) no. 12 Plain washers and 12 (6 ea. Side panel) 12-24 heavy hex nuts found in hardware kit (**part # 2126490110**) as shown in the picture on the left.



7. Install the two LGX frame braces (**Item 1**) to the side panels using 8 (4 ea. Brace) 12-24 x 3/8 pan head machine screws found in hardware kit (**part # 2126490110**) as shown in the picture on the left..