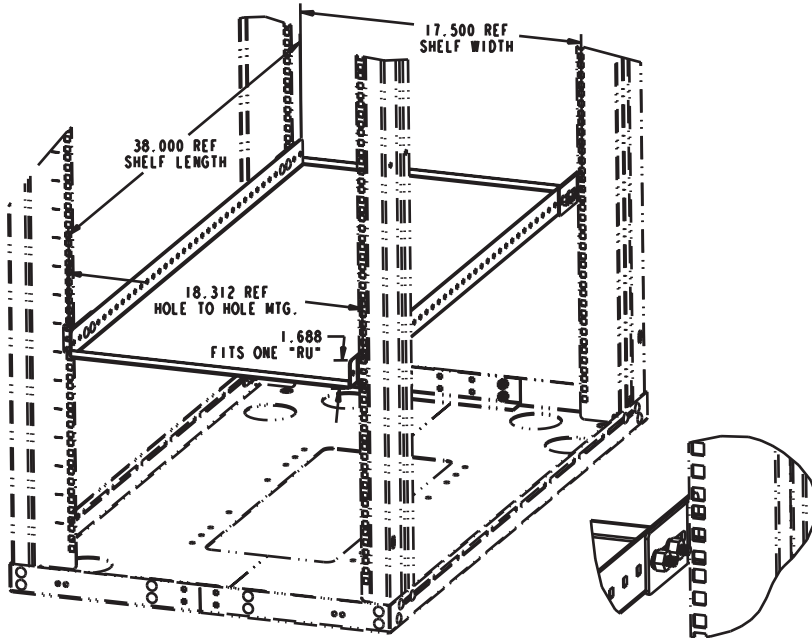


SERVER FRAME SHELF

Modified:10/06/2009

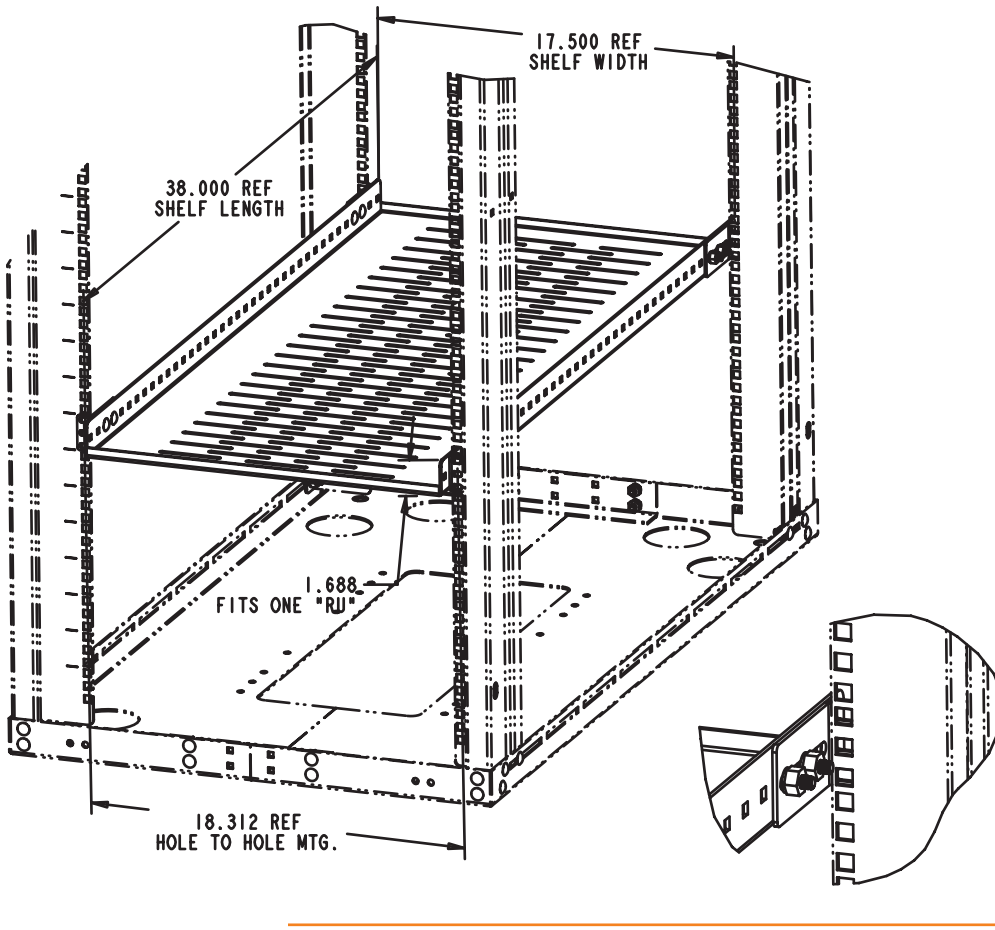


	Part Number	Width
Ordering Table	22235401xx	19"

Notes:

- Solid shelf
- 17-1/2" wide x 38" deep
- Cage nuts not included
- Mounting ears are adjustable on 1" centers

SERVER FRAME SHELF, VENTED



	Part Number	Width
Ordering Table	22235402xx	19"

Notes:

- Vented shelf
- 17-1/2" wide x 38" deep
- Cage nuts not included
- Mounting ears are adjustable on 1" centers