

# LGX comparison

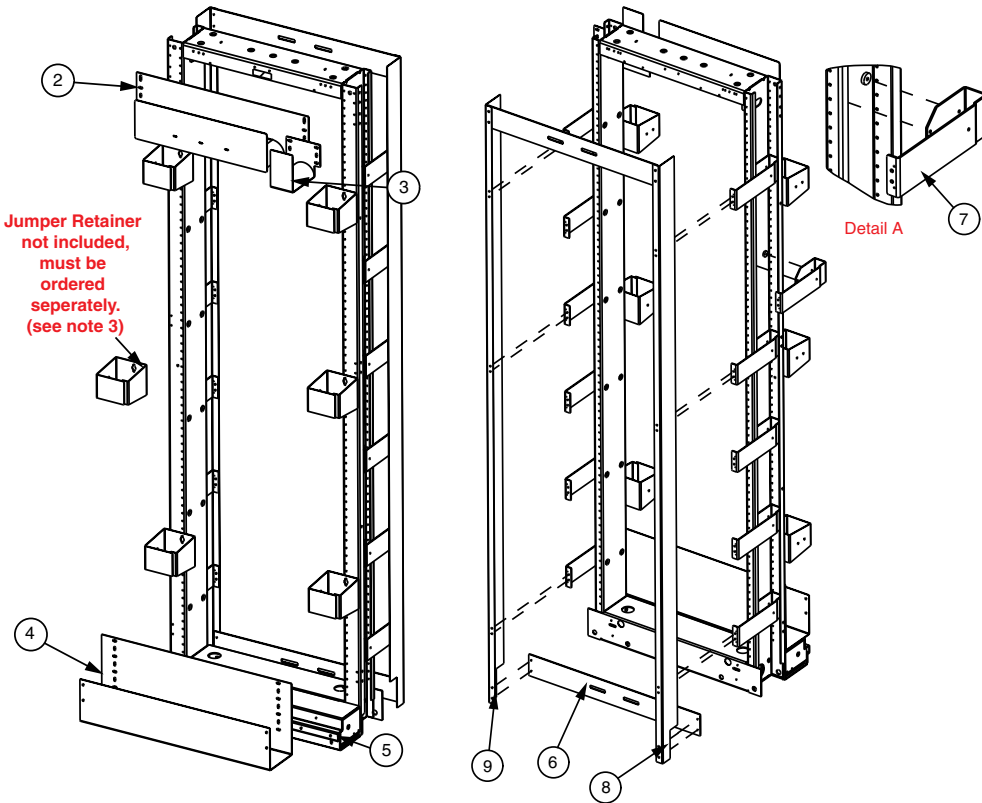
Seismic 15" LGX OSP rack kit

Modified:05/18/2009

# NEWTON®

INSTRUMENT COMPANY

Made Right When You Need It, Driven To Be Better



	part number	foot print
Ordering Table	2223641164	15"

	Item	Qty	Description
Stock List	1	1	fiber cable management kit
	2	1	upper raceway
	3	1	jumper support
	4	1	lower raceway
	5	1	7' x 23" netbay, closed, 1" mtg.
	6	2	LGX frame brace
	7	12	LGX 9.5" duct bracket
	8	1	side panel, left side
	9	1	side panel, right side

## Assembly notes:

1. Install the lower raceway (**Item 4**) using 6 (3 ea. side) 12-24 x 3/8 pan head machine screws found in hardware kit (**Item 1**) as shown in the picture.
2. Install the upper raceway (**Item 2**) using 6 (3 ea. side) 12-24 x 3/8 pan head machine screws found in hardware kit (**Item 1**) as shown in the picture. The jumper support (**Item 3**) can be installed as an extension to the upper raceway.
3. The jumper retainers (part #, **single shown 21231300xx, double 21231302xx**) must be ordered separately as an accessory item. If ordered, install the jumper retainers using (2) 12-24 x 3/8 pan head machine screws as shown in the picture. The jumper retainers can be installed in any location using the mtg. Holes on the rack (the picture is just an example).
4. Install the 12 LGX 9.5" Duct brackets (**Item 7**) using 24 (2 ea. Bracket) 12-24 x 3/8 pan head machine screws found in hardware kit (**part # 2126490110**) as shown in (**Detail A**).
5. Install the left & right side panels (**Items 8 & 9**) using 12 (6 ea. Side panel) 12-24 x 1/2 pan head machine screws, 12 (6 ea. Side panel) no. 12 Plain washers and 12 (6 ea. Side panel) 12-24 heavy hex nuts found in hardware kit (**part # 2126490110**) as shown in the picture on the left.
6. Install the two LGX frame braces (**Item 6**) to the side panels using 8 (4 ea. Brace) 12-24 x 3/8 pan head machine screws found in hardware kit (**part # 2126490110**) as shown in the picture on the left.

