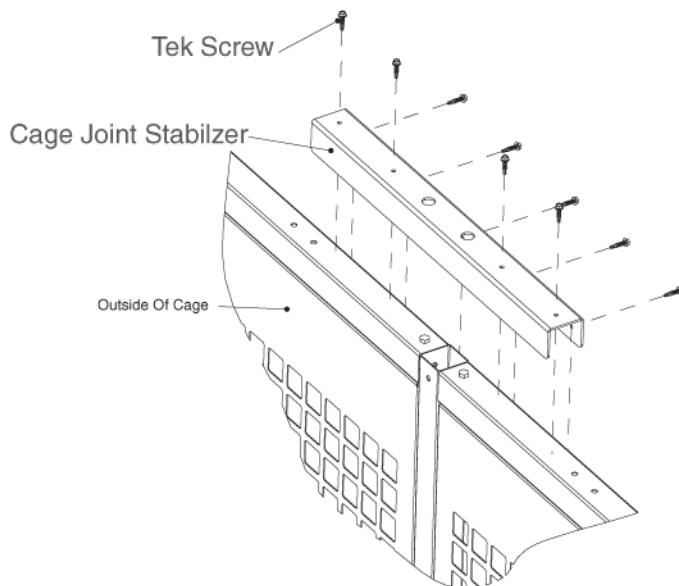
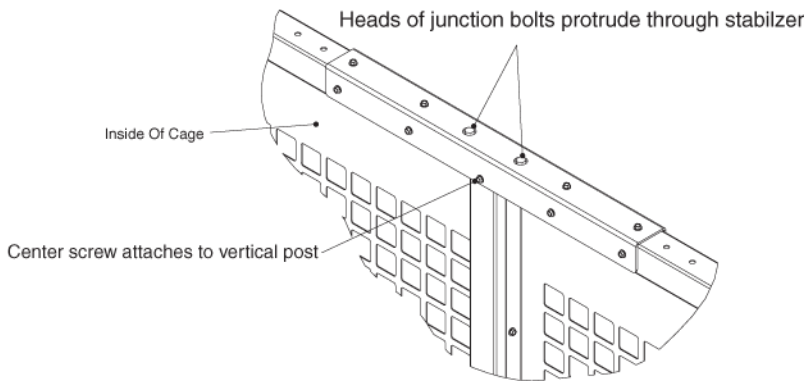


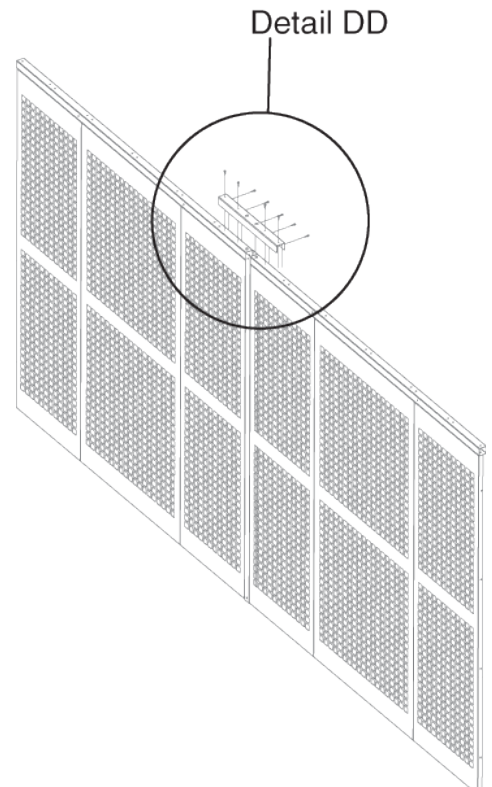
1

22294601xx

Cage Joint Stabilizer



Detail-DD



1. Place "CAGE JOINT STABILIZER" over joint to be stiffened up. Install with the five holes facing the inside of cage.
2. Secure "CAGE JOINT STABILIZER" in place with "TEKS SCREW 12-14 X 1" (self drill) 9 pieces.
3. Be sure the junction bolt heads are in the clearance holes provided in the stabilizer. Install "TEKS SCREW 12-14 X 1" (5 pieces). First through the holes in the side of "CAGE JOINT STABILIZER" and then into the horizontal tube. The center screw will attach into the vertical post after going thru the stabilizer.
4. Next install "TEKS SCREW 12-14 x 1" (4 pieces). First, through the holes in the top of "CAGE JOINT STABILIZER" and then into the horizontal tube. Refer to **DETAIL-DD** view.