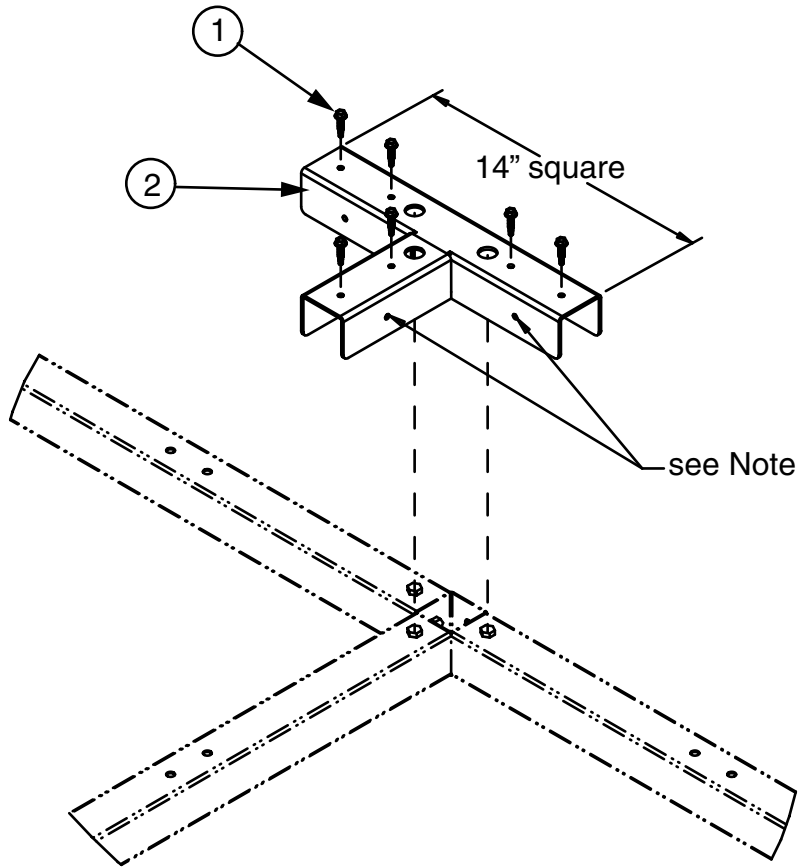


CAGE TEE JUNCTION KIT

Modified:10/31/2011



Part Number	
Ordering Table	22301400xx

Stock List		
Item	Qty	Description
1	6	Tek Screws
2	1	cage cross weldment
3		
4		
5		
6		
7		
8		

Note:

- Additional holes for extra strong applications. Can be used for extra Tek screws or an extra bolt if drilled out larger. Order extra hardware separately as needed.