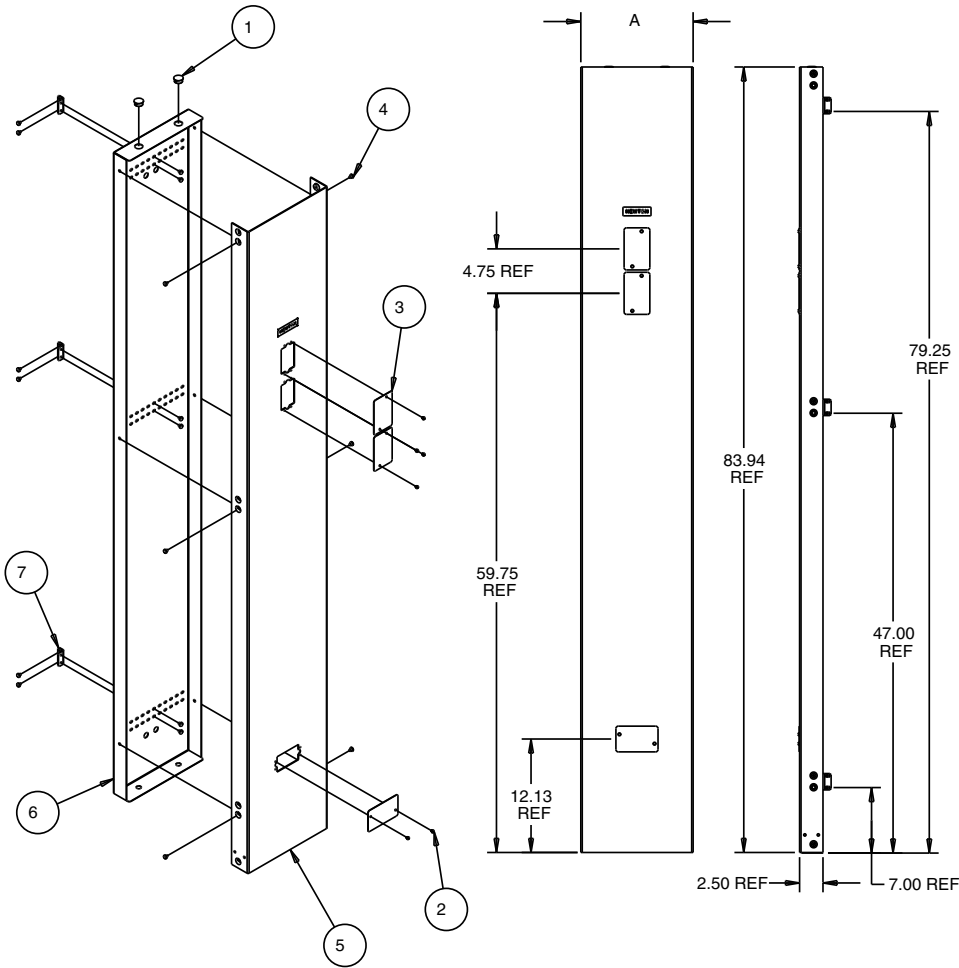


UNIVERSAL END GUARD



Ordering Table

Part Number	A
22303501xx	12"
22303511xx	15"

Stock List

Item	QTY	Description
1	2	Hole Plug
2	6	8-32 X 3/16 RHMS
3	3	Outlet Cover
4	18	12-24 X 1/4 PHMS
5	1	End Cover
6	1	Universal End Cover Box
7	3	End Guard "L" Bracket

Notes:

- Universal End Guard is designed to be mounted to any standard :
 - » Unequal Flange Rack and Network Bay
 - » 3" channels rack.
 - » spacer kit
 - » vertical cable management