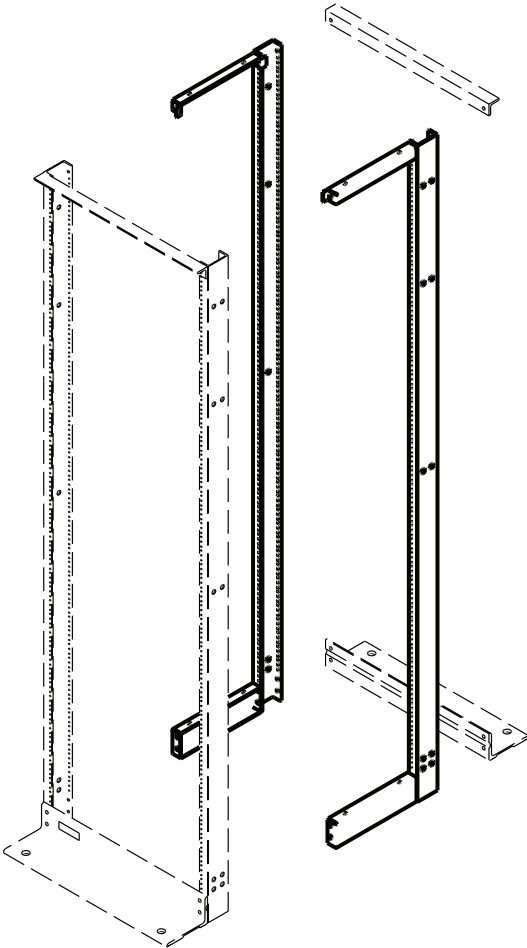


NEWTON CONVERSION KIT

Modified:10/28/2010



Newton Conversion Kit

The newly designed conversion kit is the perfect accessory to the Newton product series of 84" Newton Data Racks "NDR" (EIA 310-D compliant) and Newton Formed Racks "NFR" (EIA 310-D compliant) steel racks to create a 4-Post Frame. It offers a very cost effective solution to convert an existing two post rack into a higher strength, deeper four post frame option. These lightweight aluminum or steel kits are shipped unassembled in a compact 6"x6"x 86" secure package, minimizing storage space and shipping costs.

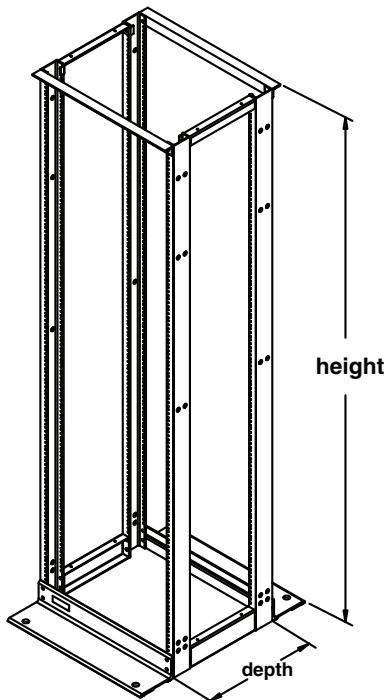
Features

- Available in black, gray and unfinished aluminum
- Standard EIA Universal (5/8"-5/8"-1/2") mounting hole pattern, for Aluminum version.
- EIA Universal (5/8"-5/8"-1/2") and EIA Wide (1-1/4" x 1/2") mounting hole pattern, for Steel version.
- Open architecture, allows easy access to equipment.
- Available in three depths, 18", 24" and 30".
- Final, finished four post configuration has a minimum 1500 lb. static load capacity.
- Versatile for either 19" or 23" rack configurations.
- Can be used in conjunction with Newton's NSCM and NVCM cable managers

Note:

- You must purchase **NDR & NFR** racks separately

	Item	Qty	Description
Stock List	1	2	84" uprights
	2	2	top supports
	3	2	base supports
	4	1	hardware kit
	5	1	top angle (steel version only)



NCK	AAA	BB	CC	XX
Newton Conversion Kit				XX: FINISH CODE 30 = Telco Gray 31 = Gray 64 = Blue
AA = Height 084 = 084 = 84"/7' overall height				
BB = Depth 18 = 18" conversion 24 = 24" conversion 30 = 30" conversion			CC = Material 00 = EIA Universal (5/8"x5/8"x1/2"), Aluminum 50 = EIA Wide (1-1/4"x1/2"), Steel 51 = EIA Universal (5/8"x5/8"x1/2"), Steel	